



***The AT500H from USC offers the perfect solution for small scale seed treatment. The compact design and patented slide-out atomizer make this one of the simplest, cost effective treaters on the market.***



# AT500H™

## Advantages

- Continuous flow seed treatment
- Treats up to 500 bushels per hour
- 12' Poly-Flighted Auger for gentle seed movement
- Easy slide out atomizer for quick cleanup
- Static Mixer
- Four 110 Outlets
- Variety of weighing options including Loss in Weight , Seed Metering Wheel and Multi-position Manual Adjustable Chamber
- 230V 1PH, 230V 3PH and 460V 3PH electrical panel includes all motor controls
- 2" NPT Port for dry additive input

- AT500H Manual Treater for Box
- AT500H Manual Treater with Hopper
- AT500H Manual Treater with Seed Metering Wheel
- AT500H Manual Treater with Box to Box Loss in Weight



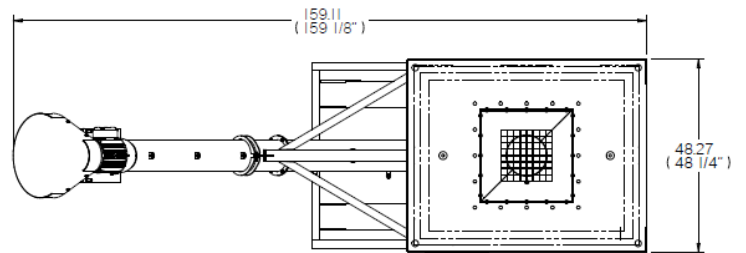
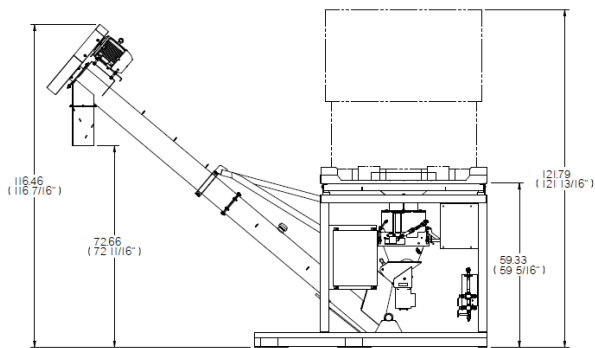
**INDUSTRY LEADER. INDUSTRY INNOVATOR.**

2320 124th Rd. | Sabetha, Kansas 66534 | 866.729.1623 | [www.USCLLC.com](http://www.USCLLC.com)

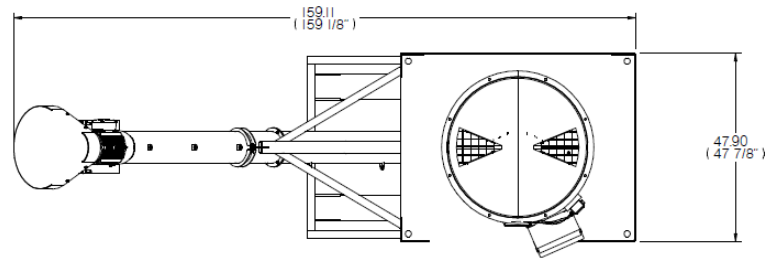
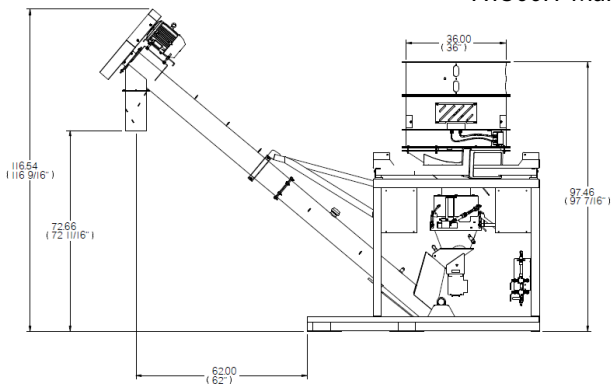
# AT500H TREATER™

## Dimensions:

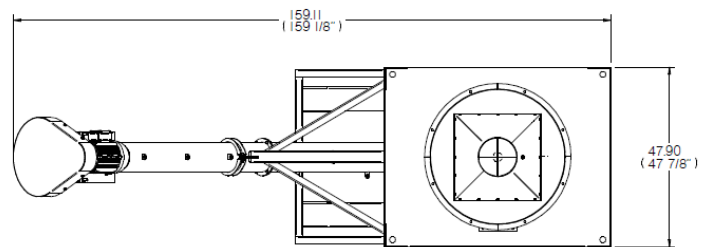
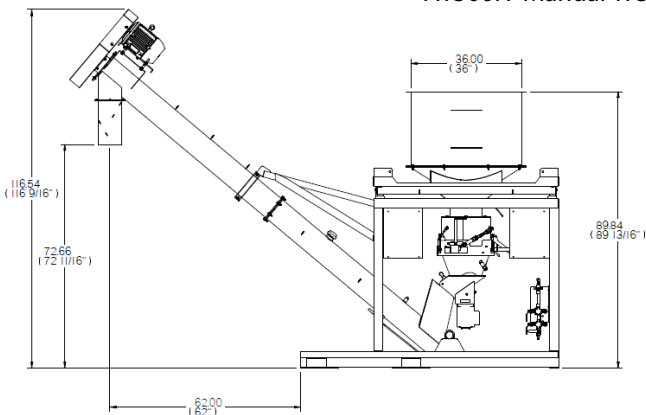
AT500H Manual Treater with Box to Box Loss in Weight/Manual Treater for Box



AT500H Manual Treater with Seed Metering Wheel



AT500H Manual Treater with Manual Adjustable Chamber



***The ideal on-farm solution, AT500H from USC makes seed treatment accurate and affordable for any size operation.***



866.729.1623  
www.USCLLC.com

Watch USC  
Products  
In Action!

