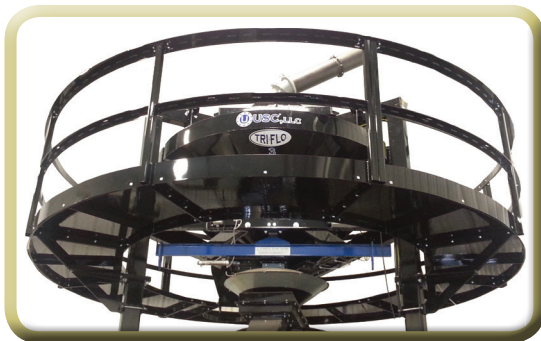


TRI-FLO™ CATWALK



The TRI-FLO™ CATWALK gives safe and easy access for thorough inspection of USC's signature over-the-treater Tri-Flo™ Hopper.

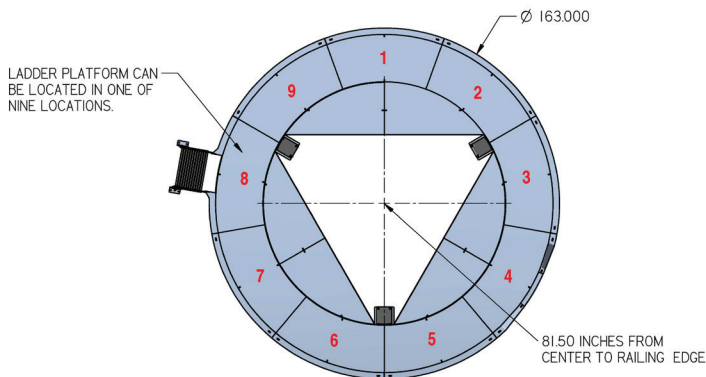
USC's newest accessory, the Tri-Flo™ Catwalk, is in high demand for those wanting better access to the market's only true, continuous flow scale hopper. The ladder, which can be installed in one of nine positions around the catwalk, makes this the safest way to access the hopper. The addition still fits easily in a corner, needing a mere 7 feet from the center of the Tri-Flo™ to any wall or other obstruction. This is a perfectly affordable solution for anyone wanting easier and safer access to the Tri-Flo™ hopper!



TRI-FLO™ CATWALK

QUICK FACTS & STATS:

- Ladder allows for safe and easy access to the top of the Tri-Flo
- Requires 7 feet from center of Tri-Flo to any possible walls, etc.
- Easier access for inspection
- Easier re-certification
- Detailed instructions for self-installation
- Easy add-on for new bin site locations
- USC will configure and quote for existing sites



CONVEYOR OPENING CAN BE IN ONE OF EIGHT LOCATIONS OR LEFT OUT AND RAILING ADDED.

