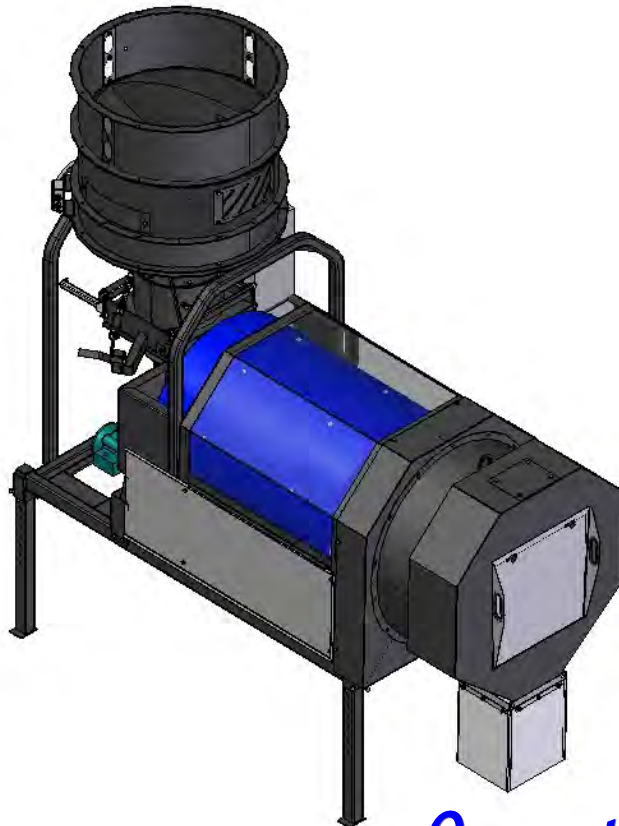




LPX AUTOMATED SEED TREATER

VERSION 1.00LPS



Operator's Manual



INTRODUCTION

Thank you for choosing USC, LLC for your equipment needs. We appreciate your business and will work diligently to ensure that you are satisfied with your choice.

OVERVIEW

The purpose of this manual is to provide you with the basic information needed to operate and maintain the LPX automated seed treater. It does not hold USC, LLC liable for any accidents or injuries that may occur.

OPERATOR RESPONSIBILITIES

As the purchaser/owner/operator of this equipment and control system, you have an obligation to install, operate, and maintain the equipment in a manner that minimizes the exposure of people in your care to any potential hazards inherent in using this equipment. It is critical that the owner of this equipment:

- Has a clear and documented understanding of the process this machine is being used in and of any resulting hazards or special requirements arising from this specific application.
- Allow only properly trained and instructed personnel to install, operate, or service this equipment.
- Maintain a comprehensive safety program involving all who work with this machine and other associated process equipment.
- Establish clear areas of staff responsibility (e.g. operation, setup, sanitation, maintenance, and repairs).
- Provide all personnel with necessary safety equipment.
- Periodically inspect the equipment to insure that the doors, covers, guards, and safety devices are in place and functioning, that all safety instructions and warning labels are intact and legible, and that the equipment is in good working order.
- In addition to the operating instructions, observe and enforce the applicable legal and other binding regulations, national and local codes.

As the person with the most to gain or lose from working safely, it is important that you work responsibly and stay alert. By following a few simple rules, you can prevent an accident that could injure or kill you or a co-worker.

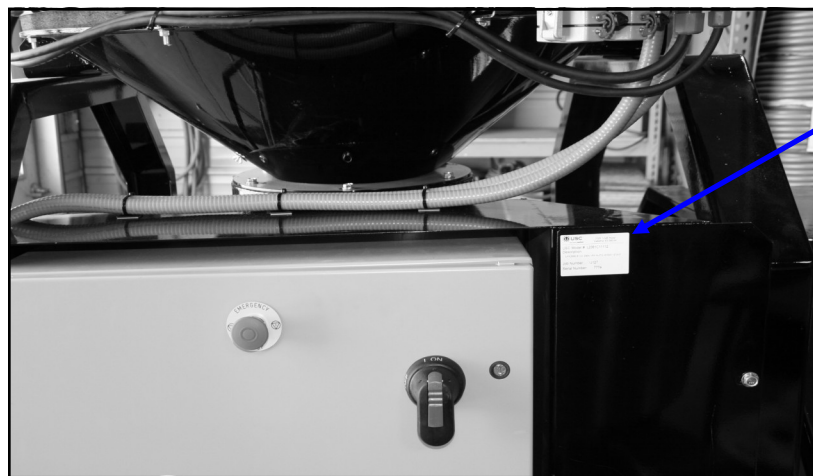
LPX AUTOMATED SEED TREATER

- Do not operate, clean, or service this equipment until you have read and understood the contents of this manual. If you do not understand the information in this manual, bring it to the attention of your supervisor, or call your local USC dealer for assistance.
- Any operator who is known or suspected to be under the influence of alcohol or drugs should not be allowed to operate the equipment.
- Understand and follow the safety practices required by your employer and this manual.
- **PAY ATTENTION** to what you and other personnel are doing and how these activities may affect your safety.
- **Failure to follow these instructions may result in serious personal injury or death.**

RECEIVING YOUR EQUIPMENT

As soon as the equipment is received, it should be carefully inspected to make certain that it has sustained no damage during shipment and that all items listed on the packing list are accounted for. If there is any damage or shortages, the purchaser must immediately notify your USC dealer. Ownership passes to purchaser when the unit leaves the USC, LLC. premises. The purchaser is responsible for unloading and mounting all components of the equipment.

Document the serial number of the machine for future reference. The serial number is located on the upper right corner of the main panel mounting bracket.



*Serial
Number*

SERIAL NUMBER: _____

TABLE OF CONTENTS

<u>Section</u>	<u>Contents</u>	<u>Page #</u>
Section A	Safety Instructions.....	5
Section B	Installation	12
Section C	Mechanical Operation.....	16
	Treater Overview.....	16
	Supply Hopper & Seed Wheel.....	17
	Atomizer Chamber & Rotating Drum	18
	Pump Stand Overview.....	19
	Mix Tank, Calibration Tube & Flow Meter	20
	Pump.....	21
	Pump Stand Valves.....	22
Section D	Electrical Operation	24
	Main Screen	26
	H-O-A Screen.....	29
	Utilities Screen	33
	Security Screen.....	35
	Tools & Options Screen	37
Section E	Calibration	41
	Seed Flow Calibration	41
	Pump Calibration	44
	Flow Meter Calibration	45
	Treating Seed	46
	Reports.....	48
	Seed Wheel Calibration	50
	Printing & Uploading Reports.....	51
Section F	Troubleshooting & Alarms	58
	Troubleshooting	58
	Proximity Switch Adjustment Guide	60
	System Alarms - Faults	61
	Paused Controlled Warning	64
	System Messages.....	65
Section G	Maintenance	66
Section H	Storage.....	69
Section I	Mechanical Drawings	72
Section J	Limited Warranty.....	119

SAFETY INSTRUCTIONS

SECTION A

Every year accidents in the work place maim, kill, and injure people. Although it may be impossible to prevent all accidents, with the right combination of training, operating practices, safety devices, and operator vigilance, the number of accidents can be significantly reduced. The purpose of this section is to educate equipment users about hazards, unsafe practices, and recommended hazard avoidance techniques.

SAFETY WORDS AND SYMBOLS

It is very important that operators and maintenance personnel understand the words and symbols that are used to communicate safety information. Safety words, their meaning and format, have been standardized for U.S. manufacturers and published by the American National Standards Institute (ANSI). The European Community (E.C.) has adopted a different format based on the International Standards Organization (I.S.O.) and applicable machinery directives. Both formats are presented below. Graphic symbols are not standardized, but most manufacturers will use some variation of the ones seen in this manual.



Indicates an imminently hazardous situation which, if not avoided, **will** result in death or serious injury.



Indicates a potentially hazardous situation which, if not avoided, **could** result in death or serious injury.



Indicates a potentially hazardous situation which, if not avoided, **may** result in minor or moderate injury and/or property damage.



Provides additional information that the operator needs to be aware of to avoid a potentially hazardous situation.



Mandatory Lockout Power Symbol. Disconnect, lockout, and tagout electrical and other energy sources before inspecting, cleaning, or performing maintenance on this panel.



International Safety Alert Symbol. The exclamation point (!) surrounded by a yellow triangle indicates that an injury hazard exists. However, it does not indicate the seriousness of potential injury. The exclamation point (!) is also used with the DANGER, WARNING, and CAUTION symbols so the potential injury is indicated.



Electrocution Hazard Symbol. This symbol indicates that an electrocution hazard exists. Serious injury or death could result from contacting high voltage.



International Electrocution Hazard. This symbol indicates that an electrocution hazard exists. Serious injury or death could result from contacting high voltage.



Mandatory Read Manual Action Symbol. (I.S.O. format)
This symbol instructs personnel to read the Operators Manual before servicing or operating the equipment.



Mandatory Read Manual Action Symbol. This symbol instructs personnel to read the Operators Manual before servicing or operating the equipment.

NOTICE

Notice is used to notify people of important installation, operation, or maintenance information which is not hazard related.

LOCKOUT / TAGOUT PROCEDURES

Lockout/Tagout is the placement of a lock/tag on an energy isolating device in accordance with an established procedure. When taking equipment out of service to perform maintenance or repair work, always follow the lockout/tagout procedures as outlined in ANSI Z344.1 and/or OSHA Standard 1910.147. This standard “requires employers to establish a program and utilize procedures for affixing appropriate lockout devices or tagout devices to energy isolating devices and to otherwise disable machines or equipment to prevent unexpected energizing, start-up, or release of stored energy in order to prevent injury to employees.”

EMERGENCY STOP



There are two Emergency Stop push buttons on the LX Series Seed Treater, which are located on the main control panel and the treater junction box. Actuators of emergency stop shall be colored RED. The background immediately around the device actuator shall be colored YELLOW. The actuator pushbutton-operated device shall be of the palm or mushroom head type.

CONTROLLED STOP

This is the stopping of machine motion by reducing the electrical command signal to 0 (zero) once the stop signal has been recognized.

HAZARD REVIEW

Electrocution Hazard



Electrocution accidents are most likely to occur during maintenance of the electrical system or when working on or near exposed high voltage wiring. This hazard does not exist when the electrical power has been disconnected, properly locked, and tagged out.

Automatic Start Hazard



This seed treating system is usually controlled by an automated system and may start without warning. Failure to properly disconnect, lockout, and tagout all energy sources of remotely controlled equipment creates a very hazardous situation and could cause injury or even death. PLEASE STAY CLEAR AND BE ALERT.

YOU are responsible for the **SAFE** operation and maintenance of your USC, LLC Seed Treating System. **YOU** must ensure that you and anyone else who is going to operate, maintain, or work around the Seed Treating System be familiar with the operating and maintenance procedures and related **SAFETY** information contained in this manual. This manual will take you step-by-step through your working day and alert you to good safety practices that should be adhered to while operating the Seed Treating System.

Remember, **YOU** are the key to safety. Good safety practices not only protect you, but also the people around you. Make these practices a working part of your safety program. Be certain that **EVERYONE** operating this equipment is familiar with the recommended operating and maintenance procedures and follows all the safety precautions. Most accidents can be prevented. Do not risk injury or death by ignoring good safety practices.

- LPX Series Seed Treater owners must give operating instructions to operators or employees before allowing them to operate the machine, and at least annually thereafter per OSHA (Occupational Safety and Health Administration) regulation 1928.57.
- The most important safety device on this equipment is a **SAFE** operator. It is the operator's responsibility to read and understand **ALL** Safety and Operating instructions in the manual and to follow them. All accidents can be avoided.
- A person who has not read and understood all operating and safety instructions is not qualified to operate the machine. An untrained operator exposes himself and bystanders to possible serious injury or death.
- Do not modify the equipment in any way. Unauthorized modification may impair the function and/or safety and could affect the life of the equipment.
- Think **SAFETY!** Work **SAFELY!**

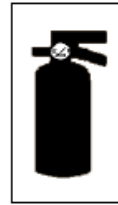
GENERAL SAFETY

1. Read and understand the Operator's Manual and all safety signs before operating, maintaining, adjusting or unplugging the LPX Series Seed Treater.
2. Only trained persons shall operate the seed treater. An untrained operator is not qualified to operate the machine.
3. Have a first-aid kit available for use should the need arise, and know how to use it.



LPX AUTOMATED SEED TREATER

4. Provide a fire extinguisher for use in case of an accident. Store in a highly visible place.
5. Do not allow children, spectators or bystanders within hazard area of machine.
6. Wear appropriate protective gear. This includes but is not limited to:
 - A hard hat
 - Protective shoes with slip resistant soles
 - Protective goggles
 - Heavy gloves
 - Hearing protection
 - Respirator or filter mask
7. Place all controls in neutral or off, stop motor, and wait for all moving parts to stop. Then disable power source before servicing, adjusting, repairing, or unplugging.
8. Review safety related items annually with all personnel who will be operating or maintaining the LPX Series Seed Treater.



OPERATING SAFETY:

1. Read and understand the Operator's Manual and all safety signs before using.
2. Disconnect and disable electrical supply completely and wait for all moving parts to stop before servicing, adjusting, repairing or unplugging.
3. Clear the area of bystanders, especially children, before starting.
4. Be familiar with the machine hazard area. If anyone enters hazard area, shut down machine immediately. Clear the area before restarting.
5. Keep hands, feet, hair and clothing away from all moving and/or rotating parts.
6. Stay away from overhead obstructions and power lines during operation and transporting. Electrocution can occur without direct contact.
7. Do not operate machine when any guards are removed.
8. Inspect welds and repair if needed.

PLACEMENT SAFETY

1. Move only with the appropriate equipment
2. Stay away from overhead power lines when moving Seed Treating System. Electrocution can occur without direct contact.
3. Be familiar with machine hazard area. If anyone enters hazard areas, shut down machine immediately. Clear the area before restarting.
4. Operate the Seed Treater on level ground free of debris. Anchor the Seed Treater to prevent tipping or upending.



Before placement of the Seed Treater, be sure that ground is reasonably level. The Seed Treater may topple or work improperly if the ground is too uneven, damaging the equipment and/or causing personal injury.

MAINTENANCE SAFETY

1. Review the Operator's Manual and all safety items before working with, maintaining or operating the Seed Treating System.
2. Place all controls in neutral or off, stop motors, disable power source, and wait for all moving parts to stop before servicing, adjusting, repairing or unplugging.
3. Follow good shop practices:
Keep service area clean and dry.
Be sure electrical outlets and tools are properly grounded.
Use adequate light for the job at hand.
4. Keep hands, feet, hair and clothing away from all moving and/or rotating parts.
5. Clear the area of bystanders, especially children, when carrying out any maintenance and repairs or making any adjustments.
6. Before resuming work, install and secure all guards when maintenance work is completed.
7. Keep safety signs clean. Replace any sign that is damaged or not clearly visible.



SAFETY SIGNS

1. Keep safety signs clean and legible at all times.
2. Replace safety signs that are missing or have become illegible.
3. Replaced parts that displayed a safety sign should also display the current sign.
4. Safety signs are available from your Authorized Dealer.

How to Install Safety Signs:

- Be sure that the installation area is clean and dry.
- Be sure temperature is above 50°F (10°C).
- Decide on the exact position before you remove the backing paper.
- Remove the smallest portion of the split backing paper.
- Align the sign over the specified area and carefully press the small portion with the exposed sticky backing in place.
- Slowly peel back the remaining paper and carefully smooth the remaining portion of the sign in place.
- Small air pockets can be pierced with a pin and smoothed out using the piece of sign backing paper.



WARNING

Located on the USC equipment you will find safety labels. Always be sure to read and follow all directions on the labels.



WARNING

Guards provided with USC Seed Treater are to remain in place during operation.

**SECTION
B**

INSTALLATION



HIGH VOLTAGE ~ Always disconnect the power source before working on or near the control panel or lead wires.



HIGH VOLTAGE ~ Use insulated tools when making adjustments while the controls are under power.



Permanent installation may require additional electrical cords, chemical tubing, and air lines, since each installation is unique.

SET-UP

The following steps outline the initial set-up of your USC Seed Treating system:

1. Clear the area of bystanders, especially small children, before moving.
2. Be sure there is enough clearance from overhead obstructions and power lines or other equipment to move the machine into its working position.
3. Using a forklift, place the seed treater in the desired position on a level surface.

NOTICE USC highly recommends that the seed treater be set up inside a building or any covered structure to protect the machine from weathering.

4. Remove any boxes and cords from the drum of the treater.

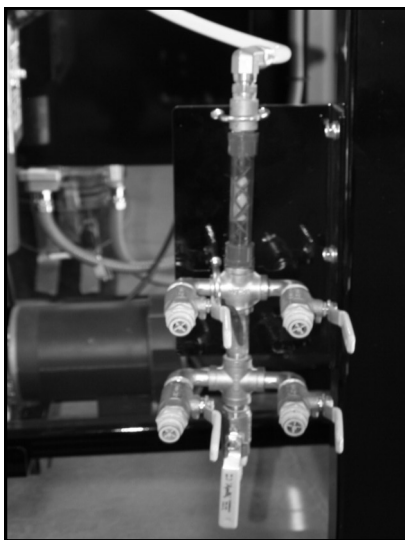


LPX AUTOMATED SEED TREATER

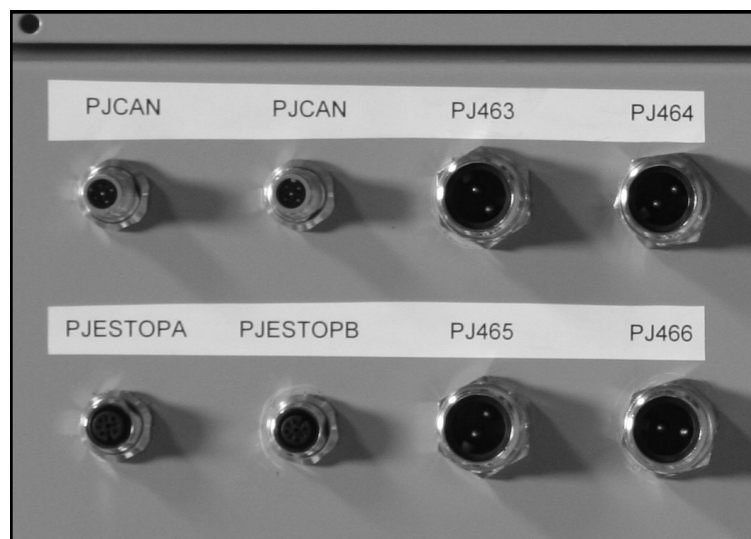
5. Install the four provided legs and set up on a level surface, preferably concrete. When all four legs are mounted in the same pin hole, the seed treater has a slight slope to allow seed to travel through the machine. The pin holes are approximately 2" apart.

NOTICE If more slope is desired, the rear legs can be dropped an additional pin hole.

6. Anchor the seed treater in position to prevent the machine from moving during operation.
7. Inspect machine thoroughly for screws, bolts, fittings, etc. which may have come loose during shipping.
8. The pump stand(s) should be placed on level ground close to the seed treater.
9. Attach the chemical tubing from the pump stands(s) to the atomizer plumbing on the seed treater (below left). Additional tubing can be added or removed to accommodate your set-up.
10. Setup the automated main control panel at a place that is convenient to the operator. This may include attaching the automated main control panel to the seed treater, to the wall or to the control panel stand that will require anchoring.
11. Connect the gray cable with light blue ends to one of PJCAN connections on the bottoms of both the treater and automated control panels. Connect the two light blue plugs into each of the remaining open PJCAN connections.
12. Connect the red cable to the PJESTOPA on the treater control panel and then to the PJESTOPB on the automated control panel. This cable must run from an A connection to a B connection (never A o A). Connect the two red plugs into each of the remaining open PJESTOP connections.



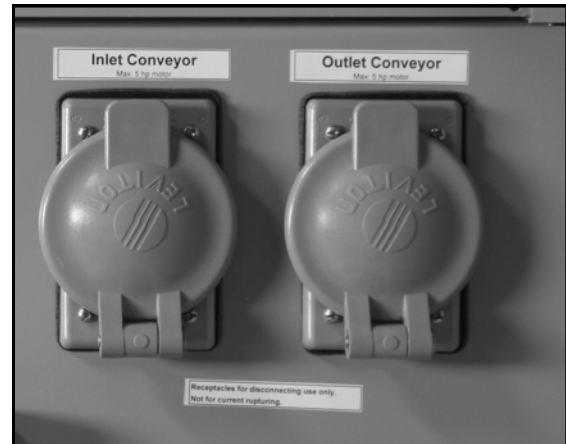
Plumbing to Atomizer



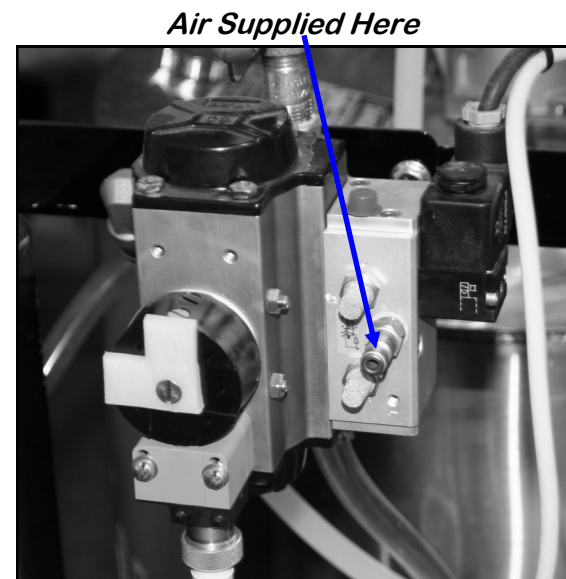
Main Treater Panel Cord Connections

LPX AUTOMATED SEED TREATER

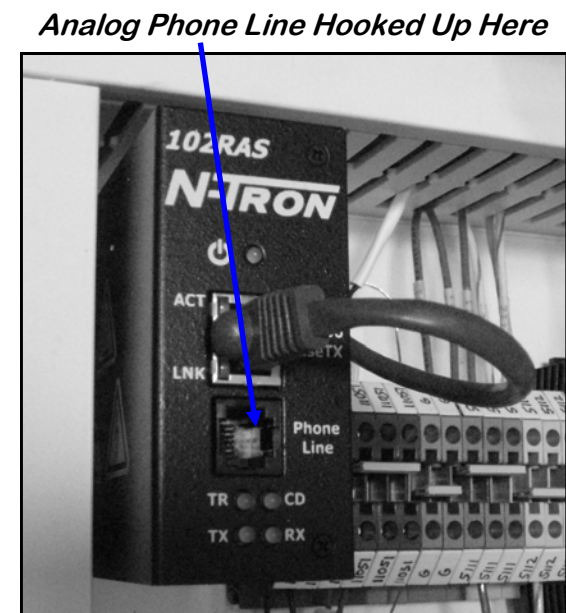
13. Connect any conveyors that are desired to be controlled through the touch screen control panel to the bottom of the treater control panel.



14. Supply approximately 100 pounds of air pressure to the center port of the air actuated 3-way valve located on the pump skid behind the electric control panel.



15. Connect a dedicated analog phone line to the modem located in the top right portion of the automated control panel. This will allow USC remote access to the seed treater to help diagnose situations that may arise.



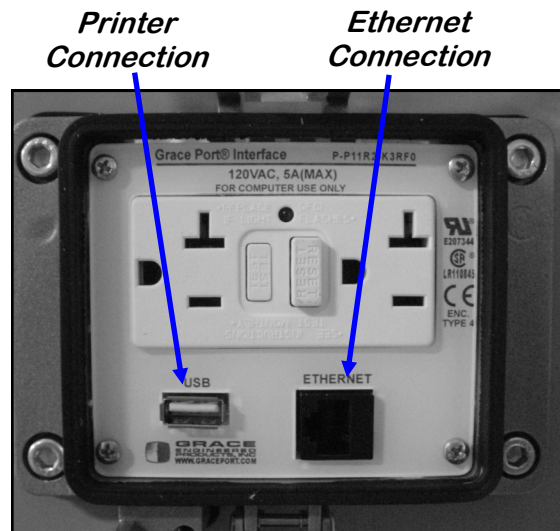
16. Have a certified electrician provide power to the seed treating system. Provide convenient shutdown switches, comply with local electrical codes and ensure that the system is properly grounded and bonded. The USC system must be connected to the same electrical requirements as specified in the main control panel on the power requirement tag, or the electrical schematic shipped with the piece of equipment. This will power the USC LPX seed treater and any attached conveyors.



17. A service port located on the side of the main control panel will allow the operator to connect a printer and an Ethernet connection to the unit. The printer connection will allow the user to print reports directly from the reports screen.

NOTICE

Flexible conduit is recommended for main power supply.

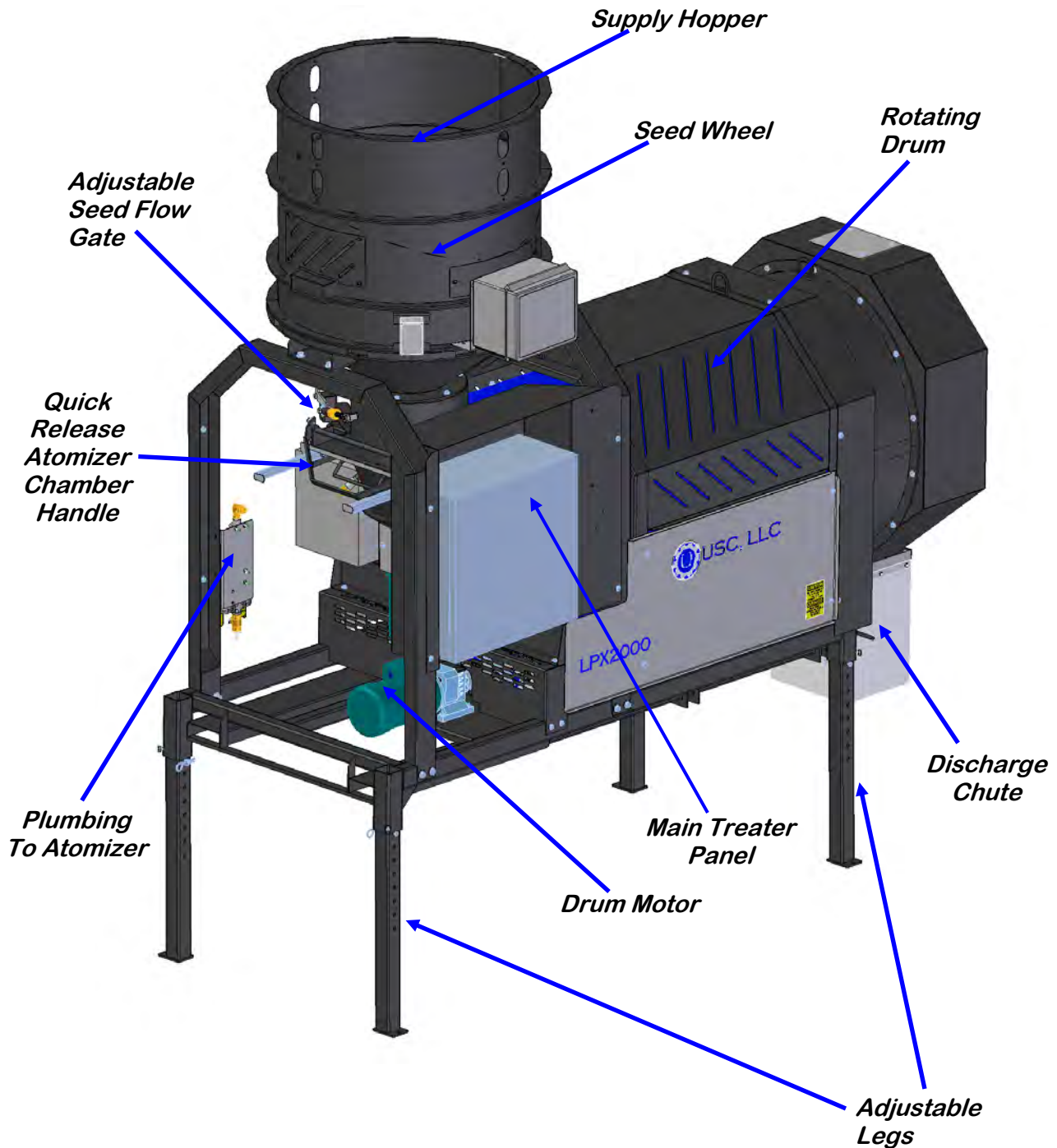


18. Attach the communication cable from the pump stand control panel to the bottom of the automated control panel (for an automated pump stand) or to the two-wire plug on the bottom of the treater control panel (for a manual pump stand).
19. Provide 110V single phase power to both the main control panel and the pump stand(s).
20. Reverse the previous steps when removing the machine from its working position.

SECTION
C

MECHANICAL OPERATION

LPX TREATER OVERVIEW



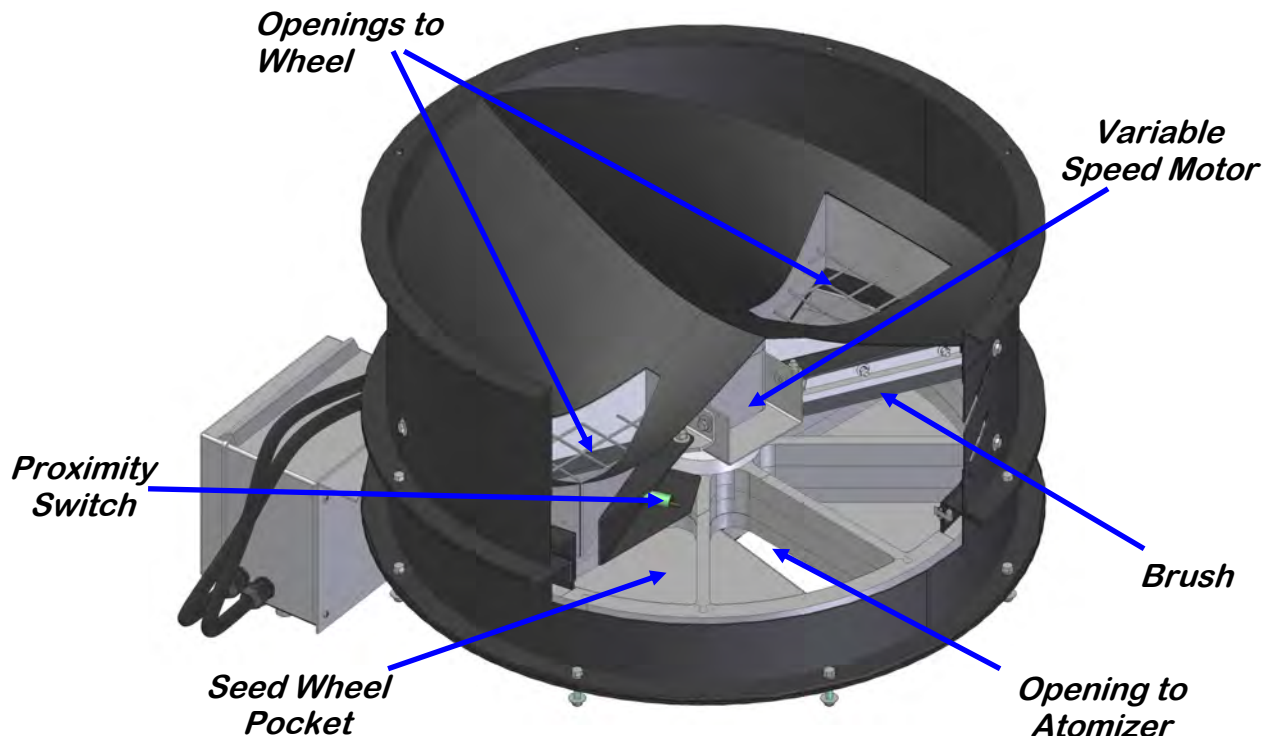
SUPPLY HOPPER & SEED WHEEL

The hopper is equipped with three proximity switches. The top switch controls the inlet conveyor and the lower switches, located in the seed wheel, control the pump(s). Refer to “H-O-A Screen” in section D and Section F: Troubleshooting; “Proximity Switch Adjustment Guide” for more in-depth information on these switches.

The Seed Wheel is designed to simplify and increase seed flow calibration accuracy. A rotating wheel is driven by a variable speed motor, which is set prior to treating the seed. This is mounted above the atomizer. The wheel consists of 8 identical pockets approximately 4 inches deep. As it rotates, the wheel captures a certain amount of seed in each pocket. After the seed is caught, the wheel continues rotation and dispenses the seed into the atomizer chamber. With the constant turn of the wheel, there is a consistent amount of seed always sent through the atomizer.

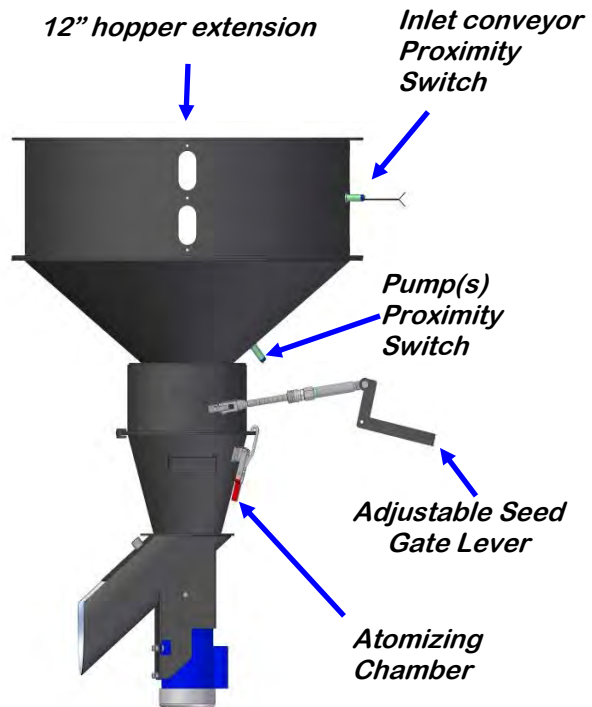
A cup is used to represent a certain percentage of one of the wheels pockets. To calibrate the seed flow, take a sample of the seed to be treated using the cup and weigh it. From the weight of the seed sample and by also knowing the RPM of the wheel, you can determine how fast that seed type will pass through the seed treater.

The purpose of the seed wheel is to simplify calibration and make seed flow calibration more accurate. The seed wheel saves time when switching to different seed sizes and seed types.



ATOMIZER CHAMBER

The atomizer chamber consists of a patented design which disperses treatment evenly to each seed. A motor drives the atomizer head at approximately 1725 RPM's. As treatment is being pumped into the atomizer chamber, it drops into the atomizer head. The centrifugal force of the spinning head forces the treatment to be sprayed out through a screen covering in all 360 degrees. Meanwhile, seed flows down out of the supply hopper and down on top of the distribution cone which disperses the seed down around the atomizer head. The atomizer can be easily accessed by pulling down on the quick release handle and sliding the atomizer away from the treater body. (see page 67)



ROTATING DRUM

The rotating drum comes in options of 6, 8, and 10 feet and accepts treated seed through the opening on the hopper end. As seed passes through the length of the drum it is tumbled, producing accurate and uniform seed coating. The seed then exits the seed treater out the discharge end of the machine.



Never allow exposure of persons or clothing to the drive shaft, idler wheels, or the drum during operation. Always have the safety shields in place during operation.

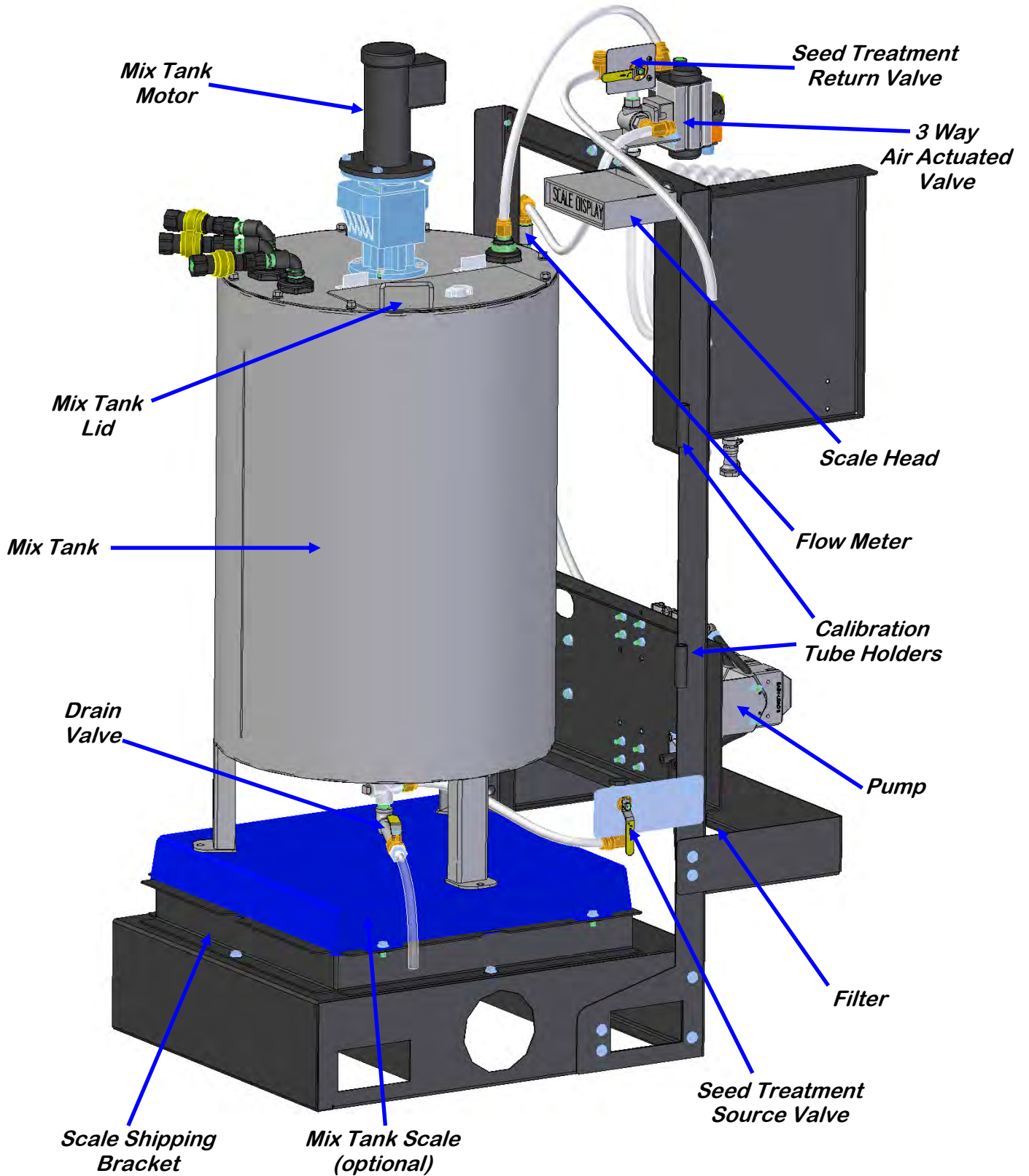
The time it takes for seed to move through the drum both during and at the end of the run can be changed by lowering or raising the pins on the legs of the discharge end of the treater. When the pins are in the same hole on all of the treater legs, the treater has a natural downward tilt towards the discharge end of the treater. Lowering the pins on the discharge end's legs will give the treater more tilt during operation which will allow seed to travel through the drum at a faster rate. Vice versa, raising those pins will cause seed to stay in the drum longer.



It is not recommended to lower the discharge end's pins more than one hole setting different from the inlet end's pins. If this is done, a loss in seed coverage and chemical coating may occur.

On the 6 and 8 foot drum options the LPX automated treater will also come standard with telescoping fork lift pockets. These pockets can be slid out from underneath the treater to allow a fork lift to pick up the treater from it's discharge end.

PUMP STAND OVERVIEW



MIX TANK

The USC LPX automated seed treater is equipped with a fully modular, touch screen controlled pump stand. This pump stand will include a 30 or 60 gallon chemical mix tank that is either of stainless steel or poly construction. This chemical mix tank will have electric drive agitation that is turned on or off at the pump stand control panel. The agitator should be running at all times when treatment is present in the mix tank to keep the chemical mixed and in a suspended state. The tank is equipped with a shut-off, drain plug, and drain valve located on the bottom. The top of the tank also includes 3 extra ports which the operator can use to direct fill into the tank (see below).



CALIBRATION TUBE

The LPX automated pump stand may also be equipped with a calibration tube which is used to check the liquid flow rate. The calibration tube measures in ounces on a 0-340 scale. Three-way valves direct liquid from different areas to keep all liquid contained. This creates a closed chemical system so that the operator can manually check the calibration of the chemical flow rate without handling any of the chemical.

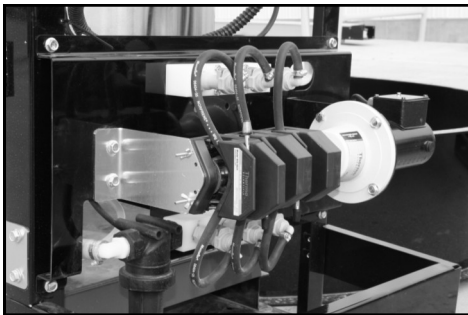
FLOW METER

Each LPX automated pump stand comes with either a volumetric or mass flow meter. A flow meter is used to perform real-time chemical flow adjustments and monitoring without the operator having to handle the chemical. The flow meter reading will be displayed on the touch screen controls and can be set to read in oz/min or ml/min.

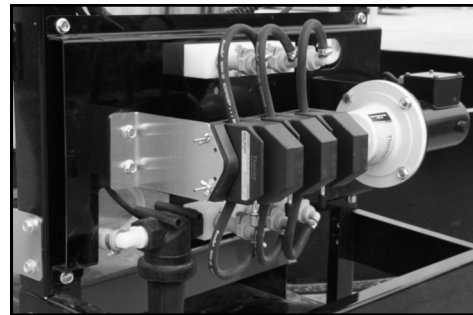
PUMP

The LPX automated pump stand utilizes a variable speed peristaltic pump and special noprrene pump tubing for liquid metering. The pump comes equipped with either 1, 2 or 3 heads. Liquid will only come into contact with the inside diameter of the pump tubing and not the pump. This allows for easy cleanup and less maintenance of the pump.

To open the pump head, lift the lever upward. Place the pump tubing inside the pump head so it fits inside the notches and above the rollers. Lower the lever back down to close the pump head, clamping the hose inside the head. Wear or fatiguing of the tubing within the pump head due to compression is normal. When tubing becomes worn or chemical rates begin to slow down, open the pump head and move the tubing to a different position. If the entire piece of tubing becomes worn, simply replace with a new section. When not using the seed treater for several days or when storing, open the pump head and remove the tubing to prevent any extra compression. Worn tubing should be moved to a different position every week to prevent additional wear.

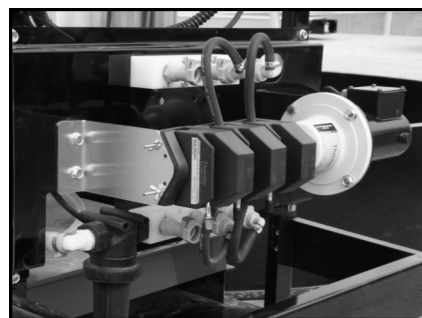
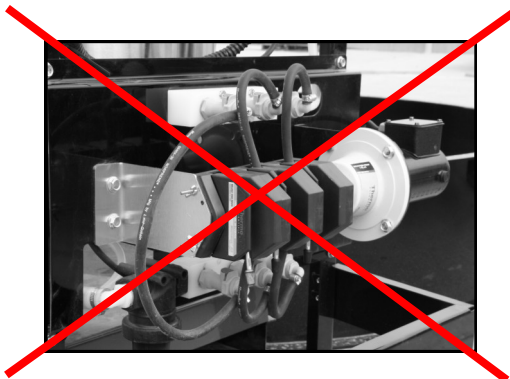


Pump Head Open



Pump Head Closed

If a very low rate is needed, a section of tubing can be removed to force the pump motor to run at a higher speed. This allows for a more consistent flow rate. When removing the tubing, uncouple it from the manifold (below, right). If the tubing is unclamped from the pump head but left coupled in the manifold (below, left), the pump will suck air and cause flow rates to be very inconsistent.



PUMP STAND VALVES

Seed Treatment Source Valve: This valve controls where the pump is drawing liquid from. It allows liquid to be pulled from either the bottom of the mix tank or the calibration tube.

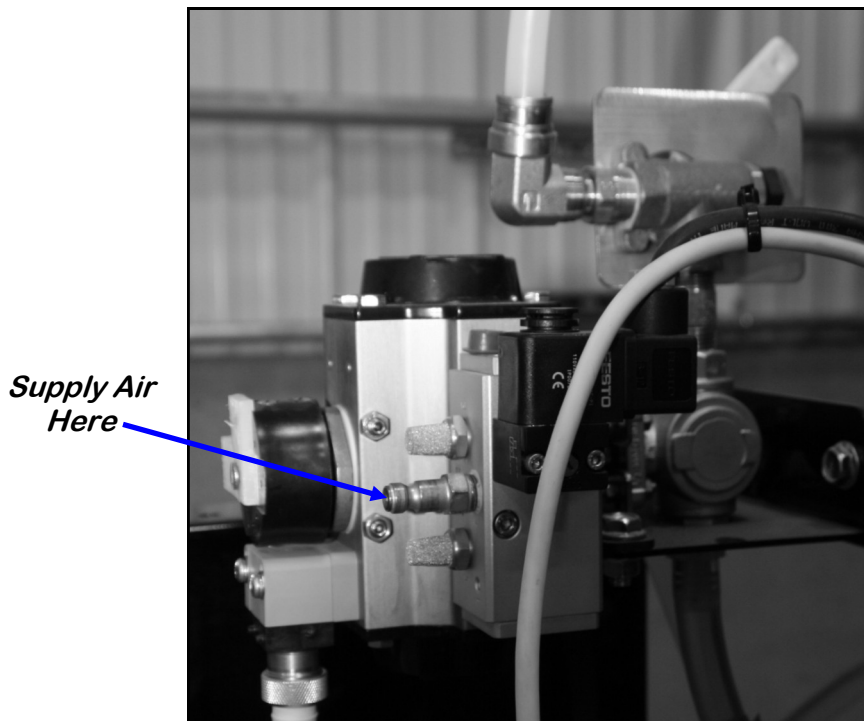


Drawing chemical from the bottom of the Mix Tank

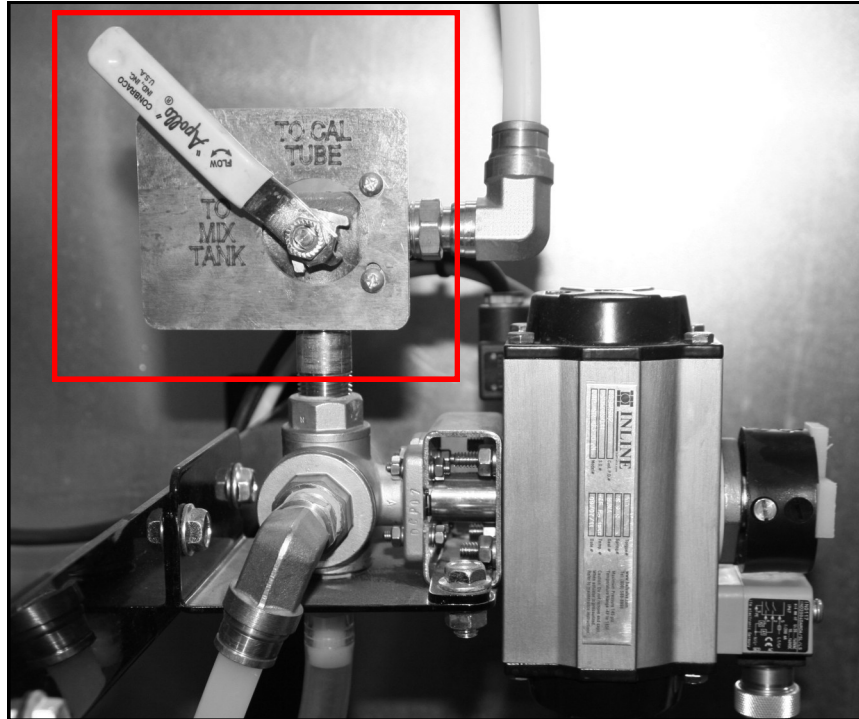


Drawing chemical from the bottom of the Calibration Tube

Air Actuated 3-Way Valve: This valve is controlled from the touch screen and will automatically actuate during normal operation. An internal spring holds the valve in the “recirculation” position so that when the valve is not actuated, the chemical will be directed to flow back to the Mix Tank. When the valve is actuated, the supplied air pressure will override the spring and move the valve to the “process” position. Chemical flow will then be directed towards the treater’s atomizer chamber.



Seed Treatment Return Valve: This valve directs the liquid coming from the recirculation side of the Air Actuated 3-Way Valve to either fill the Calibration Tube or return to the Mix Tank.



Proper calibration of the liquid system is critical to achieve a proper granular/chemical mixture. Use the calibration procedure on page 44 and 45 to determine liquid flow rate.

Emptying the remaining liquid can be done by using the reverse function on the control panel. This will pump liquid back into the mix tank. Then drain the remaining liquid into a suitable container. Clean water should be pumped through the calibration tube and mix tank when finished.



Always dispose of chemical or diluted chemical according to your local, state, and federal regulations.



Only you, the operator, can determine the length of time required to completely rinse all chemical residue from the tank and plumbing system.

SECTION
D**ELECTRICAL OPERATION**

HIGH VOLTAGE ~ Always disconnect the power source before working on or near the control panel or lead wires.



HIGH VOLTAGE ~ Use insulated tools when making adjustments while the controls are under power.



AUTHORIZED PERSONNEL only shall work on the control panel. Never allow anyone who has not read and familiarized themselves with the owner's manual to open or work on the control panel. e switch is turned on,

This section provides a general overview and description of the operator controls for the LPX Automated Seed Treater.

General Panel Descriptions

This system consists of three plug connected panels, one hard wired panel and two more optional plug connected panels:

- The Treater Main Panel is an enclosure that is attached to the side of the treater and contains the electrical components required to actuate the seed treater. This includes the VFDs for the seed wheel and atomizer. Power for the treater is supplied here. Power to this panel is hard wired.
- The Automated Main Control Panel is a plug connected enclosure that contains the PLC (Programmable Logic Controller) as well as the HMI (Human Machine Interface) touch screen. The operator is able to control the entire system through the HMI. Power to this panel is supplied from a standard 110V plug.
- The Automated Pump Stand Panel is a plug connected enclosure that is located on each pump stand frame. This panel connects the pump stand electrical components to the Automated Main Control Panel. Each pump stand has two standard 110V plugs. One for the manual ON/OFF switch controlling the mix tank motor and one for the pump stand control panel.

Main Control Panel

The following pages explain the function of the touch screen controls.

USC STARTUP SCREEN

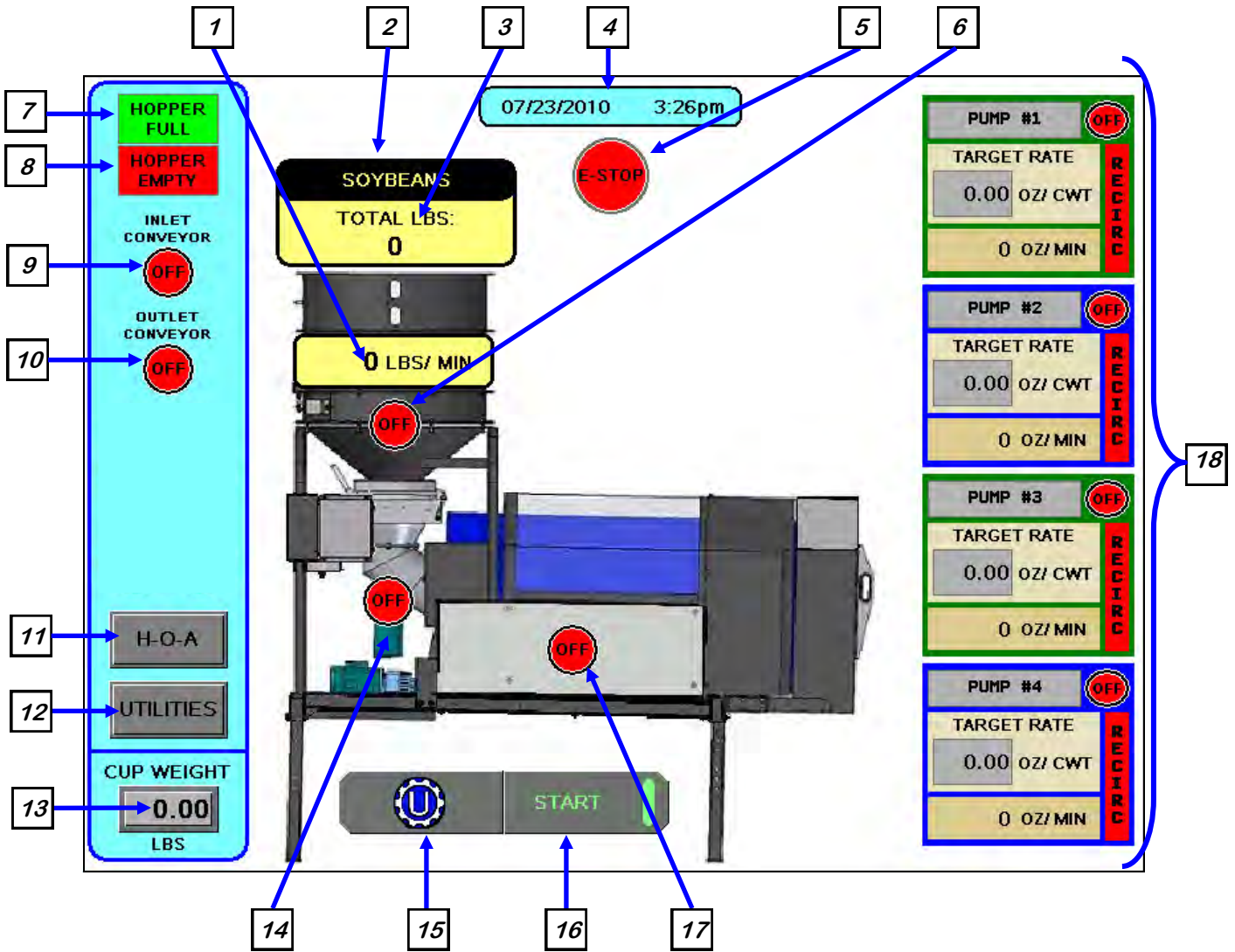
While the system is booting up, the treater touch screen will display a timer. Once the timer reaches zero, this screen is the first screen the operator will see after the system receives power. Touch this screen to allow the operator to advance to the Main screen.

NOTICE The E-Stop Reset push button must be pressed after every power cycle and every time the E-Stop is activated or the system will not operate.



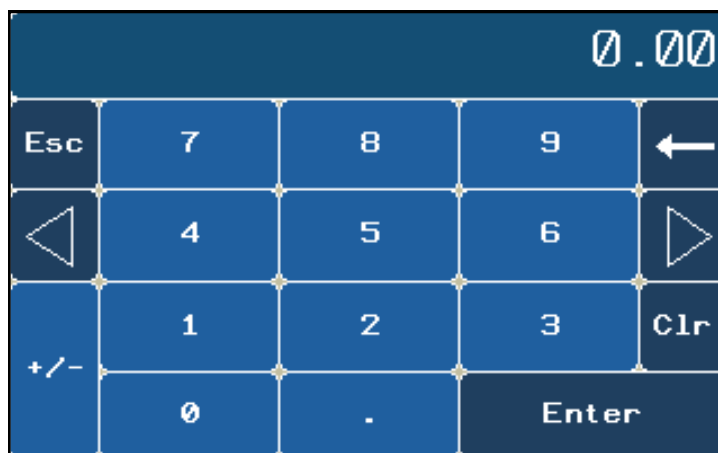
MAIN SCREEN

This screen informs the operator of the status of all system motors and electrical devices and allows for control/adjustment of system operations.



Main Screen Button Descriptions

- 1. Seed Flow Rate:** Displays the seed flow rate in pounds per minute.
- 2. Seed Type Indicator:** Displays the type of seed has been selected in the “Product Selection” Screen.
- 3. Totalized Weight Display:** Displays the total pounds of seed as it passes through the seed wheel.
- 4. Current Date and Time Display**
- 5. Emergency Stop Indicator:** This blinking display is activated when the system’s E-Stop button is activated.
- 6. Seed Wheel Motor Status Indicator:** Informs the operator if the seed wheel is “ON” or “OFF”.
- 7. Hopper Full:** Informs the operator when the proximity switch located in the supply hopper above the seed wheel is detecting seed.
- 8. Hopper Empty:** Informs the operator when the proximity switches located in the seed wheel are not detecting seed.
- 9. Inlet Conveyor Motor Status Indicator:** Informs the operator if the inlet conveyor is “ON” or “OFF.”
- 10. Outlet Conveyor Motor Status Indicator:** Informs the operator if the outlet conveyor is “ON” or “OFF.”
- 11. “H-O-A” (Hand-Off-Auto):** This button advances the operator to the “H-O-A” screen.
- 12. “UTILITIES”:** This button advances the operator to the “Utilities” screen.
- 13. “CUP WEIGHT”:** Pressing this button will bring up a numeric keypad (below) which allows the operator to input the “cup weight” for the Seed Wheel. This weight is used to calculate the seed flow rate the seed wheel will output.



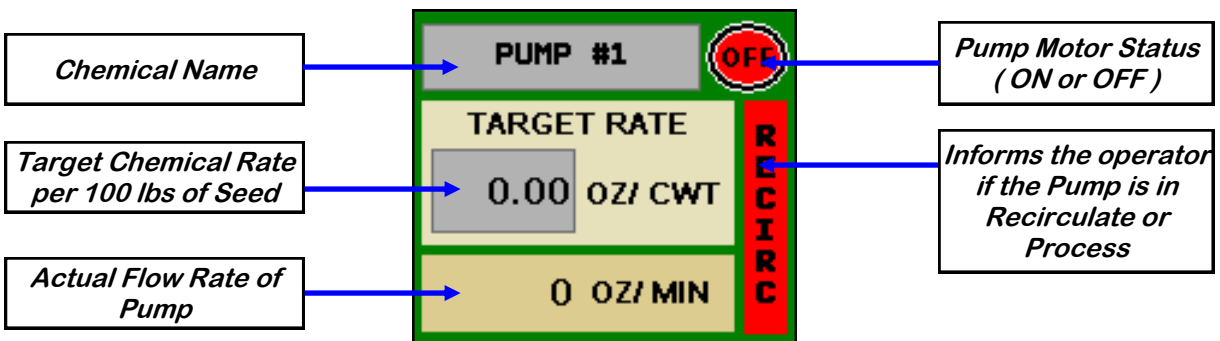
14. Atomizer Motor Status Indicator: Informs the operator if the atomizer motor is “ON” or “OFF.”

15. USC Logo Button: Allows the operator to exit back to the Startup screen.

16. STARTUP Button: This is used to start the machine after all motors have been placed into the AUTO position.

17. Drum Drive Motor Status Indicator: Informs the operator if the drum drive motor is “ON” or “OFF.”

18. Pump Status Modules: This block of information informs the operator of the following: Pump motor status (“ON” or “OFF”), air actuated 3-way valve status, currently selected chemical, target flow rate, and actual flow rate from flow meter.

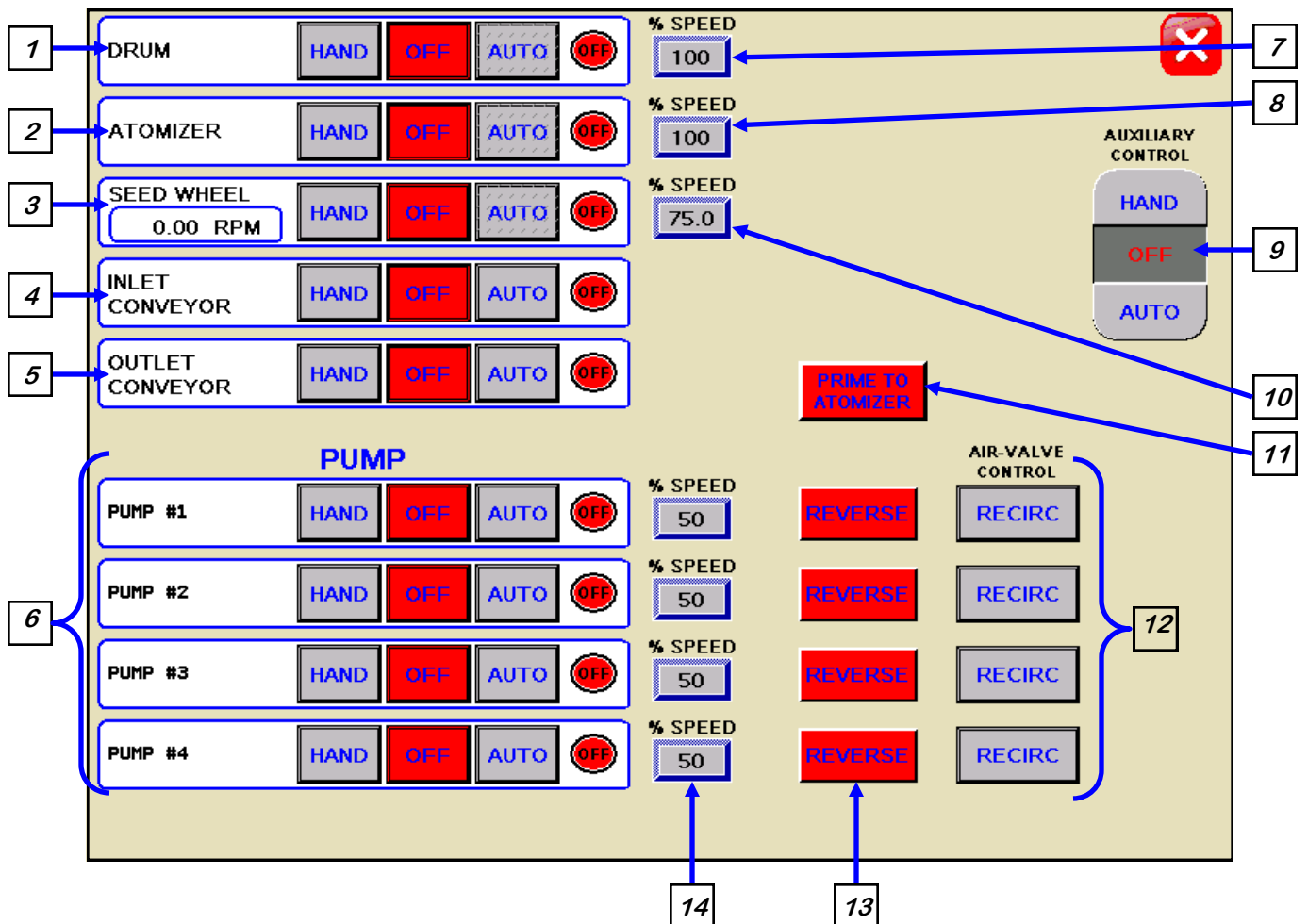


“H-O-A” (HAND-OFF-AUTO) SCREEN

Hand-Off-Auto controls are provided for most of the automated devices in the system, and are accessed on this screen.



These H-O-A buttons force the selected component to be energized (HAND), de-energized (OFF), or automatically energized by the normal logic sequence (AUTO). The HAND function will cause the component to operate independent of whatever else the system is trying to do automatically. These functions should not normally be used if the automated sequencing is active. **Be sure to understand the impact of energizing or de-energizing a component with the HAND/OFF settings before using them.** These commands are not a substitute for Lockout/Tagout procedures when working on or near this machine. Use proper lockout/tagout procedures to disable the equipment before servicing it.

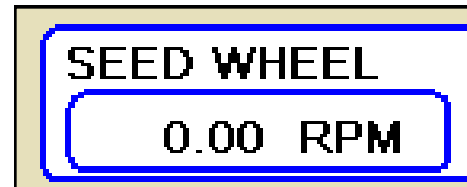


H-O-A Button Descriptions

1. Drum Control Module: This module controls the function of the drum. The “HAND” button will place the drum in the manual mode of operation. The “OFF” button will turn the associated device in the “OFF” mode of operation. The “AUTO” button will place the device in the automatic mode of operation. The motor will not operate in this function unless all other devices are in the “AUTO” mode and the “STARTUP” button is pressed on the main screen.

2. Atomizer Control Module: This module controls the function of the atomizer. The “HAND” button will place the atomizer in the manual mode of operation. The “OFF” button will turn the associated device in the “OFF” mode of operation. The “AUTO” button will place the device in the automatic mode of operation. The motor will not operate in this function unless all other devices are in the “AUTO” mode and the “STARTUP” button is pressed on the main screen.

3. Seed Wheel Control Module: This module controls the function of the seed wheel. The “HAND” button will place the seed wheel in the manual mode of operation. This module shows the current RPM of the seed wheel (right). The “OFF” button will turn the associated device in the “OFF” mode of operation. The “AUTO” button will place the device in the automatic mode of operation. The motor will not operate in this function unless all other devices are in the “AUTO” mode and the “STARTUP” button is pressed on the main screen.



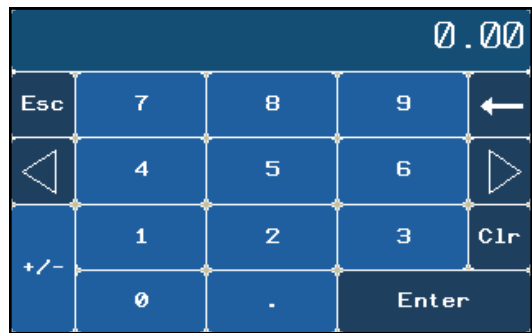
4. Inlet Conveyor Control Module: This module controls the function of the inlet conveyor. The “HAND” button will place the inlet conveyor in the manual mode of operation. The “OFF” button will turn the associated device in the “OFF” mode of operation. The “AUTO” button will place the device in the automatic mode of operation. The motor will not operate in this function unless all other devices are in the “AUTO” mode and the “STARTUP” button is pressed on the main screen.

5. Outlet Conveyor Control Module: This module controls the function of the outlet conveyor. The “HAND” button will place the outlet conveyor in the manual mode of operation. The “OFF” button will turn the associated device in the “OFF” mode of operation. The “AUTO” button will place the device in the automatic mode of operation. The motor will not operate in this function unless all other devices are in the “AUTO” mode and the “STARTUP” button is pressed on the main screen.

H-O-A Button Descriptions

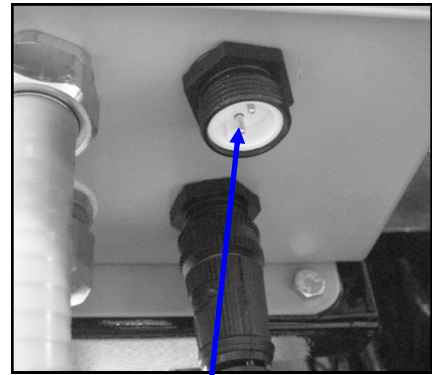
6. Pump Control Modules: These modules control the function of the pumps. The “HAND” button will place the desired pump in the manual mode of operation. The “OFF” button will turn the associated device in the “OFF” mode of operation. The “AUTO” button will place the device in the automatic mode of operation. The pump will not operate in this function until the “STARTUP” button is pressed on the main screen.

7. Drum Percent Speed: When this button is pressed, a numeric touch pad (right) will appear to allow the operator to manually adjust the speed of the drum.



8. Atomizer Percent Speed: When this button is pressed, a numeric touch pad (right) will appear to allow the operator to manually adjust the speed of the atomizer.

9. Auxiliary Control: This module allows the operator to control any unit which is plugged into the auxiliary port located on the bottom of the treater main control panel located on the seed treater. The “HAND” button will allow the user to operate the unit in the manual mode of operation. The “OFF” button will disconnect control to the auxiliary port. The “AUTO” button will place the unit in the automatic mode of operation. Any unit plugged into the auxiliary port will not operate in this function until the “STARTUP” button is pressed on the main screen.



Auxiliary Port

10. Seed Wheel Percent Speed: When this button is pressed, a numeric touch pad (top, right) will appear to allow the operator to manually adjust the speed of the seed wheel.

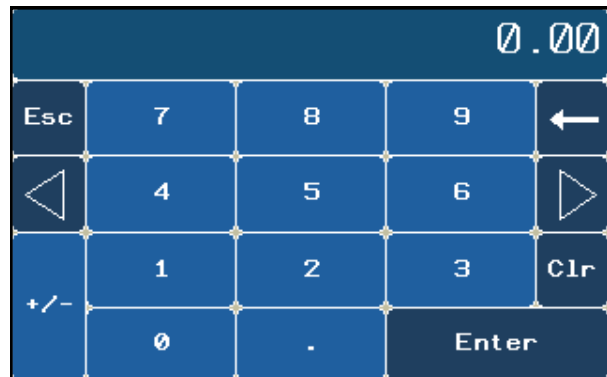
H-O-A Button Descriptions

11. “PRIME TO ATOMIZER” Button: Used before a controlled startup to “preload” chemical in the tubing leading to the atomizer. To operate this button, place the atomizer and any pump that will be used in the “AUTO” mode. Next press and hold the “PRIME TO ATOMIZER” button. The atomizer and pumps will turn on and the liquid will be directed to the atomizer. The atomizer and pumps will run as long as the button is being pressed. When the button is released the atomizer and pumps will shut-off.

12. Air Valve Control Module: This module controls where liquid is diverted for each pump. When a desired pump is placed in the “HAND” mode, the “RECIRC.” button will appear next to that pump control module. In this mode, liquid is pumped out of its desired tank, through the air actuated 3-way valve manifold and back into the mix tank. When the “RECIRC.” button is pressed, the icon will change to “PROCESS”. In this mode, liquid is diverted from the air actuated 3-way valve, to the atomizer. When the “OFF” button is pressed the pump will go back to “RECIRC.” When the pump is placed in the “AUTO” mode the Air Valve Control cannot be accessed.

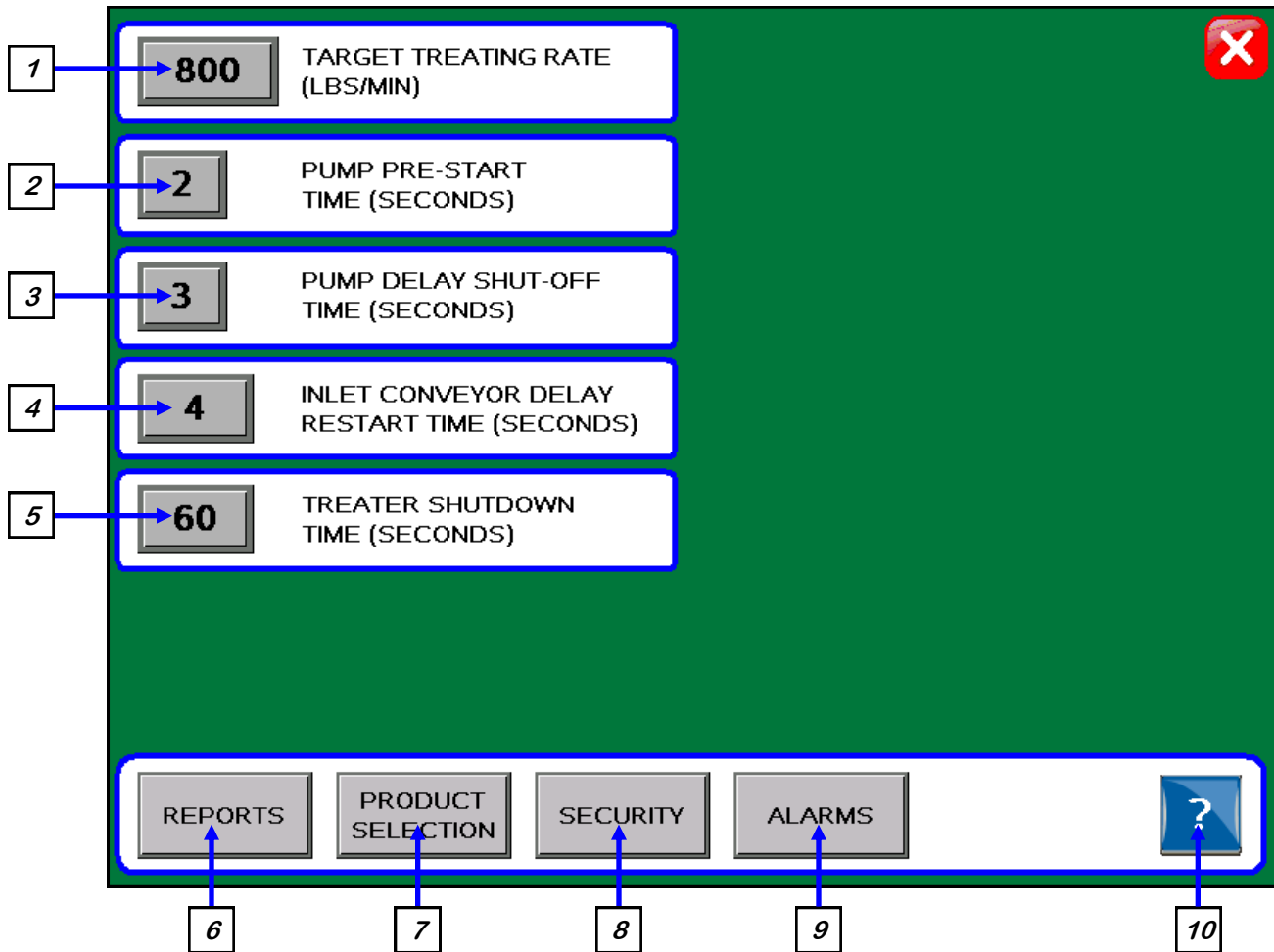
13. “REVERSE” Button: Allows the operator to reverse the pump direction and pump the product back into the mix tank. When the pump is in Hand or Auto mode, this button will become a display for the actual pump flow rate.

14. Pump Percent Speed: When these buttons are pressed, a numeric touch pad (right) will appear to allow the operator to manually adjust the speed of the pump(s).



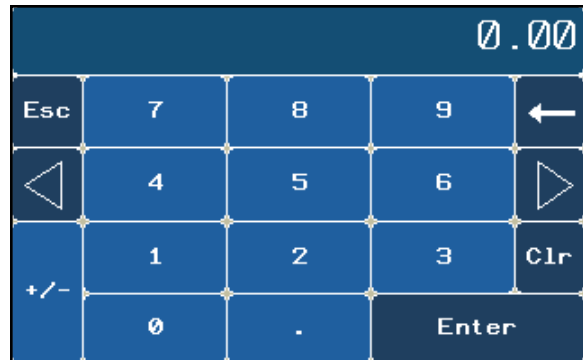
UTILITIES SCREEN

This screen allows the operator to set various system parameters and gives access to the “Reports”, “Product Selection”, “Security”, “Alarms” and Information screens.



NOTICE

When buttons 1-5 are pressed, a numeric touch pad (right) will appear allowing the operator to enter a number for that particular parameter.



Utilities Screen Button Descriptions

1. TARGET TREATING RATE: Pressing this button allows the operator to adjust the estimated treating rate in pounds per minute. This number is used by the system to control the rate of the seed wheel and pumps.

2. PUMP PRE-START TIME: Pressing this button allows the operator to adjust the start time of the pumps after the “STARTUP” button has been pressed on the main screen. This number will allow the air actuated 3-way valve to kick open and begin sending liquid to the seed treater a certain number of seconds before the seed wheel will turn on. This will help prevent any untreated seed at the beginning of a run.

3. PUMP DELAY SHUT-OFF TIME: Pressing this button allows the operator to adjust the delay shut-off time of the pumps after the proximity switches located in the seed wheel do not detect anymore seed.

4. INLET CONVEYOR DELAY RESTART TIME: Pressing this button allows the operator to adjust the restart time of the inlet conveyor after the top proximity switch no longer detects seed.

5. TREATER SHUTDOWN TIME: Pressing this button allows the operator to adjust the delay shutdown time of the seed treater after the “SHUTDOWN” button has been pressed after a run. This time will allow the seed treater and any conveyor to completely clean out.

6. REPORTS: This button advances the operator to the Reports screen.

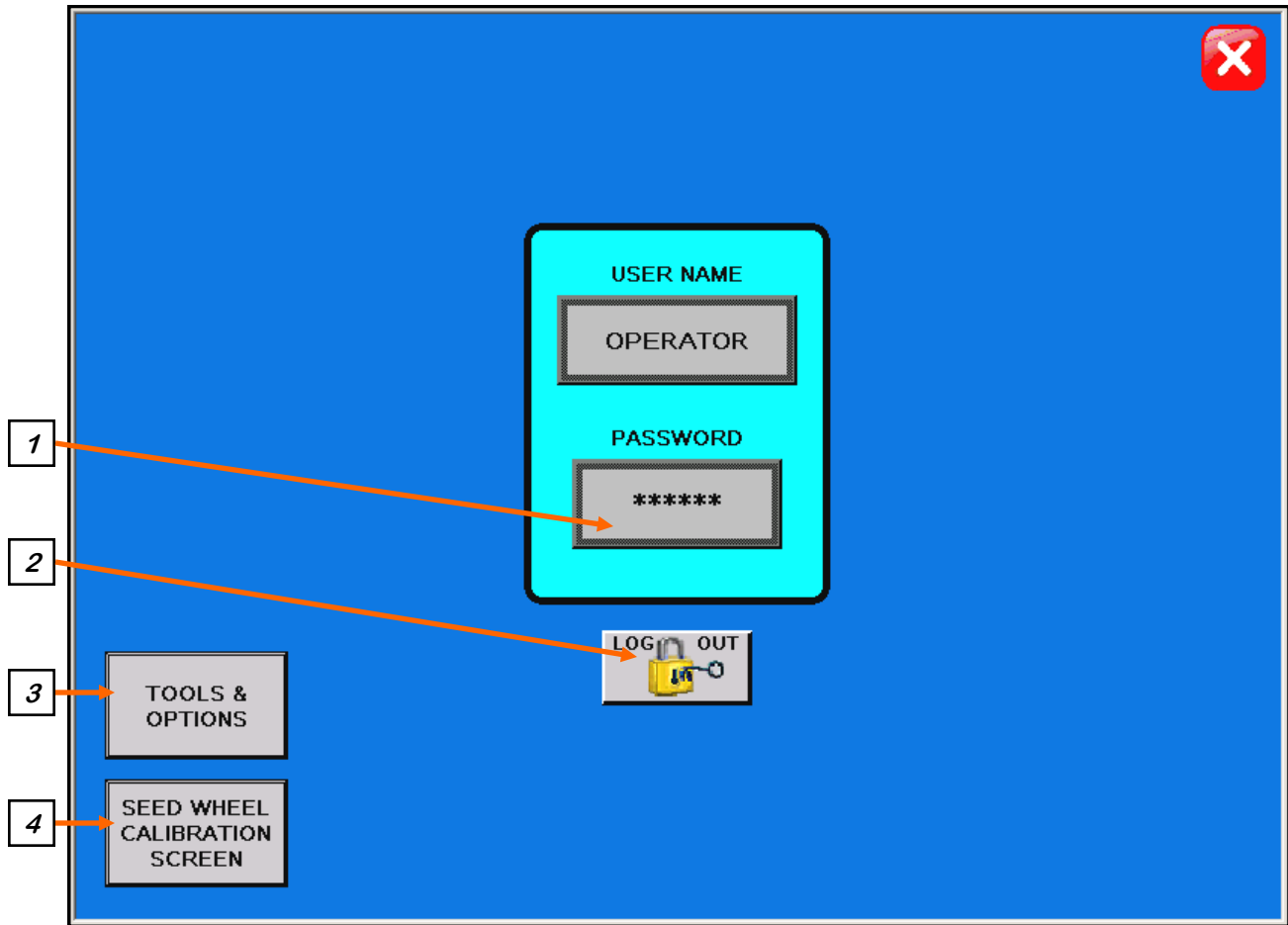
7. PRODUCT SELECTION: This button advances the operator to the Product Selection screen.

8. SECURITY: This button advances the operator to the Security screen.

9. ALARMS: This button advances the operator to the Alarms screen.

10. Information: This button advances the operator to the information screen where the operator can find vital information on storage and troubleshooting.

SECURITY SCREEN



Security Screen Button Descriptions

1. "PASSWORD" Entry: The operator uses this input to obtain access to ALL options on this screen. When this button is pressed a keypad (right) will appear on the screen. The pass-code is "**USC**" and should only be made accessible to personnel qualified to operate the seed treater. The User Name will stay "OPERATOR"




Security Screen Button Descriptions

2. Logout Button: Pressing this button will log the operator out of the Security screen. However, the operator will be automatically logged out after one minute of no activity on the touch screen.

3. TOOLS & OPTIONS: Pressing this button will advance the operator to the Tools & Options screen if the password has been entered.

4. SEED WHEEL CALIBRATION SCREEN: Pressing this button will advance the operator to the Seed Wheel Calibration screen (below) if the password has been entered.

SEED WHEEL CALIBRATION



SEED WHEEL CALIBRATION PROCEDURE

STEP 1: RUN OR TREAT A KNOWN WEIGHT OF SEED.
****A MINIMUM OF 2000 LBS(900 KGS) IS RECOMMENDED**

STEP 2: ENTER THE ACTUAL WEIGHT OF THE SEED INTO THE
"ACTUAL SCALE WEIGHT" NUMERIC INPUT.
ENTER THE "TOTAL LBS/KGS" READING INTO THE
"TOTALIZER WEIGHT" NUMERIC INPUT.

STEP 3: PRESS THE "APPLY" BUTTON TO COMPLETE THE
CALIBRATION PROCESS.

ACTUAL SCALE WEIGHT

1

APPLY

TOTALIZER WEIGHT

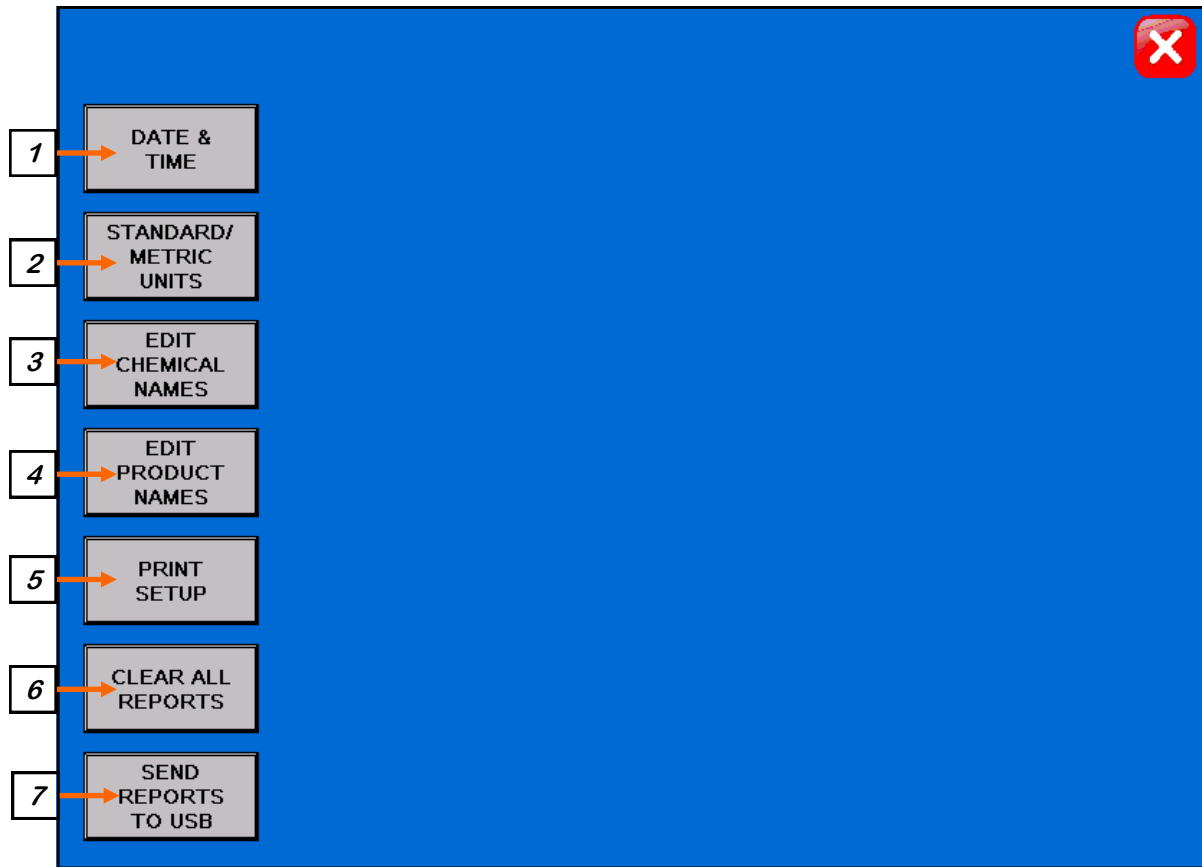
1

TOTALIZER (LBS)

0

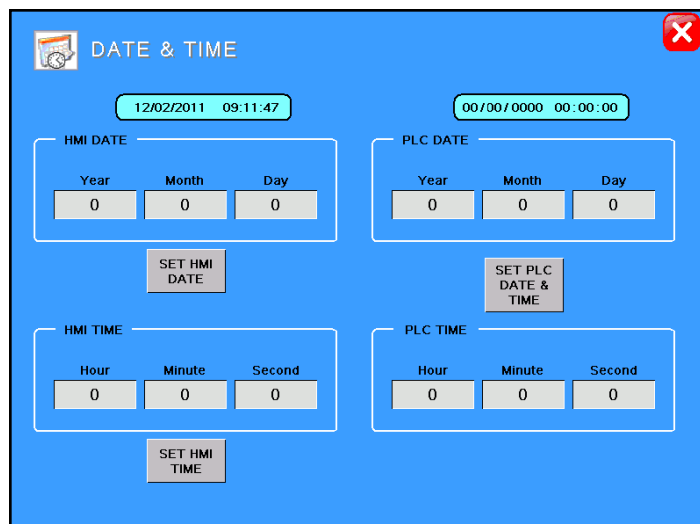
RESET

TOOLS & OPTIONS SCREEN



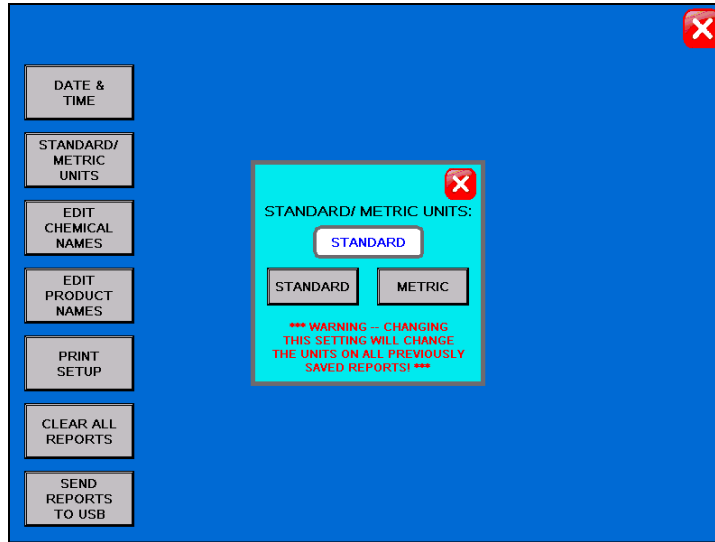
Tools & Options Screen Button Descriptions

1. DATE & TIME: This button advances the operator to a screen where the date and time can be changed. (right)



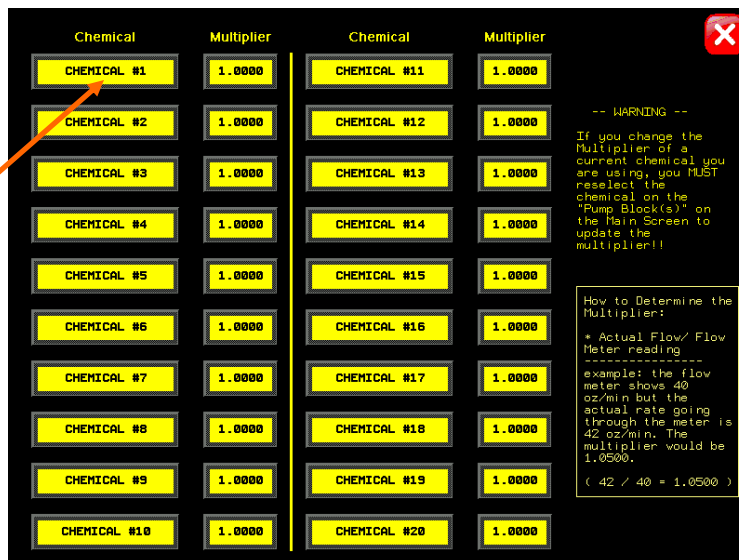
Tools & Options Button Descriptions (continued)

2. STANDARD/METRIC UNITS: Allows the operator to switch between Standard or Metric units of measurement. When this button is pressed a window will appear (below) which will allow the operator to select the desired units of measurement.

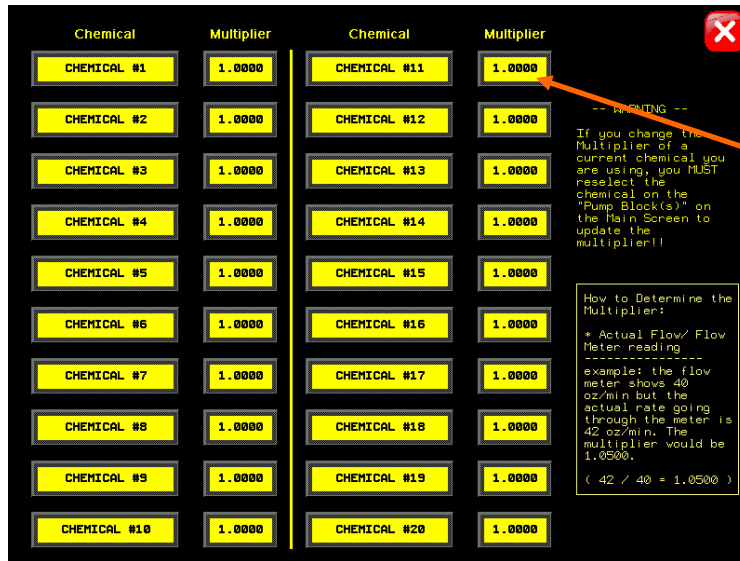


3. EDIT CHEMICAL NAMES: Allows the operator to change the chemical names to better fit their needs. Pressing the button will advance the operator to the screen below. By selecting one of the chemical types, the operator can change the name of the chemical.

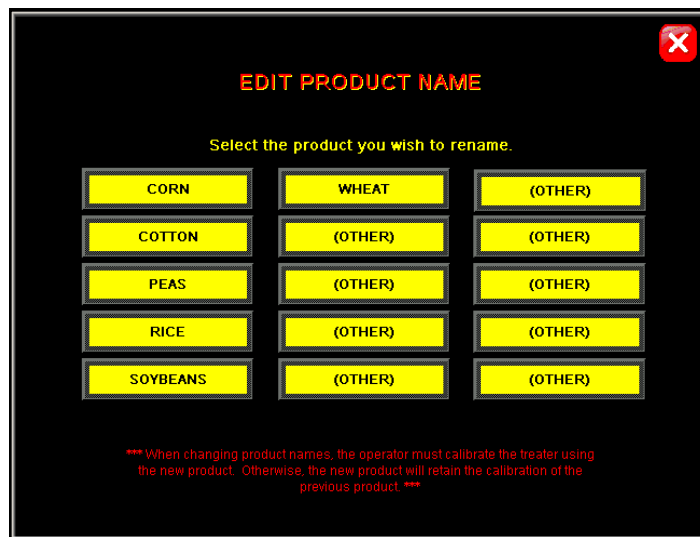
Press this button to adjust the name of the chemical.



3. EDIT CHEMICAL NAMES (CONTINUED): This screen also allows the operator to recalibrate the flow meter by adjusting the multiplier for each chemical.

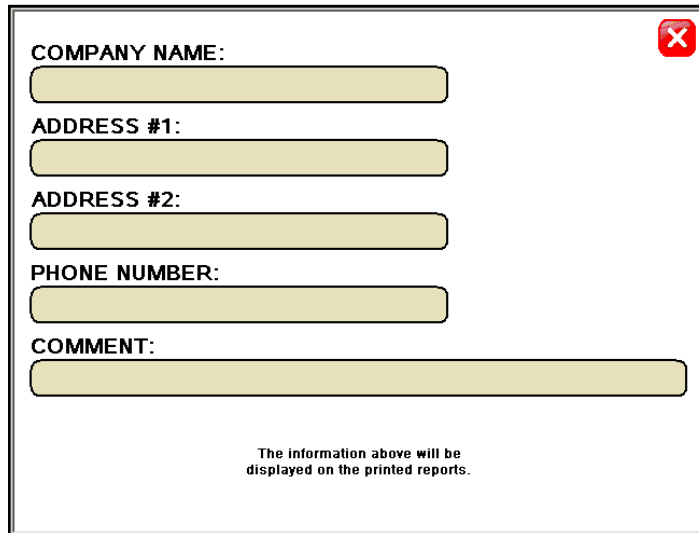


4. EDIT PRODUCT NAMES: Allows the operator to change the product names to better fit their needs. Pressing the button will advance the operator to the screen below. By selecting one of the seed types, the operator can change the name of the product and the current calibration setting for the seed wheel.



Tools & Options Button Descriptions (continued)

5. PRINT SETUP: Allows the operator to set up their personal company information which will be printed at the top of each report. Pressing the button will advance the operator to the screen below. The company information can be entered by selecting the blank space under each heading.



COMPANY NAME:

ADDRESS #1:

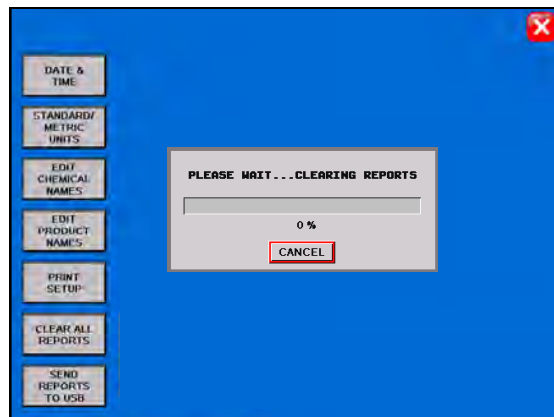
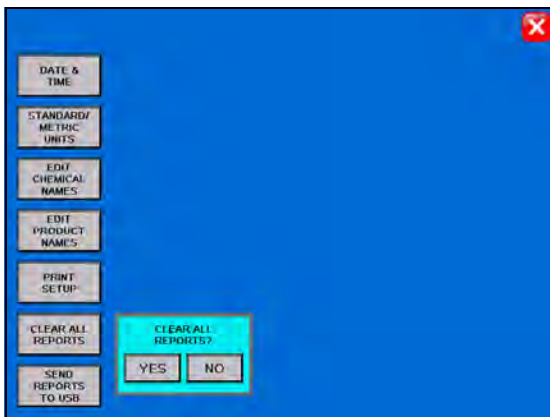
ADDRESS #2:

PHONE NUMBER:

COMMENT:

The information above will be displayed on the printed reports.

6. CLEAR ALL REPORTS: Pressing this button will open a window which will ask the operator if he or she wants to clear all the saved reports. If “YES” is pressed then the reports will be permanently erased.



7. SEND REPORTS TO USB: If a memory stick is present in the USB port, this button can be pressed and all the saved reports will be downloaded to the memory stick.

SECTION
E**CALIBRATION****SEED FLOW CALIBRATION**

The following is a list of steps to use when calibrating the seed flow. An included seed calibration cup, funnel, stand, and scale are used to calibrate the seed wheel.

1. Set the empty seed calibration cup on the scale and zero the out the weight of the cup.
2. Place the funnel and stand in the seed to be treated. This will help to avoid any unnecessary clean-up while filling and leveling the top of the seed calibration cup.
3. Place your hand under the bottom of the funnel and fill the funnel up with seed.
4. Place the calibration cup under the funnel stand and remove your hand from the bottom of the funnel, and allow the cup to be filled. (figure 1)
5. After the cup has been filled, strike off the top of the calibration cup with a straight edge. (figure 2)

*Seed Calibration Cup*

NOTICE Do not shake the cup.

6. Weigh the sample of seed. (figure 3)

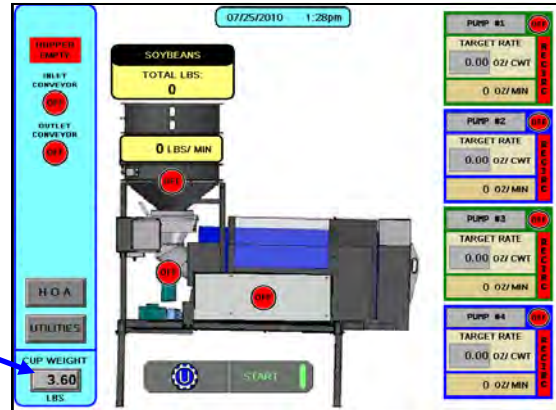
NOTICE A typical weight of the sample of seed will be anywhere between 2.8 to 4.0 lbs. Anything over or under this range could be caused by not zeroing out the weight of the cup, or the scale may be set on the wrong units.

*Figure 1**Figure 2**Figure 3*

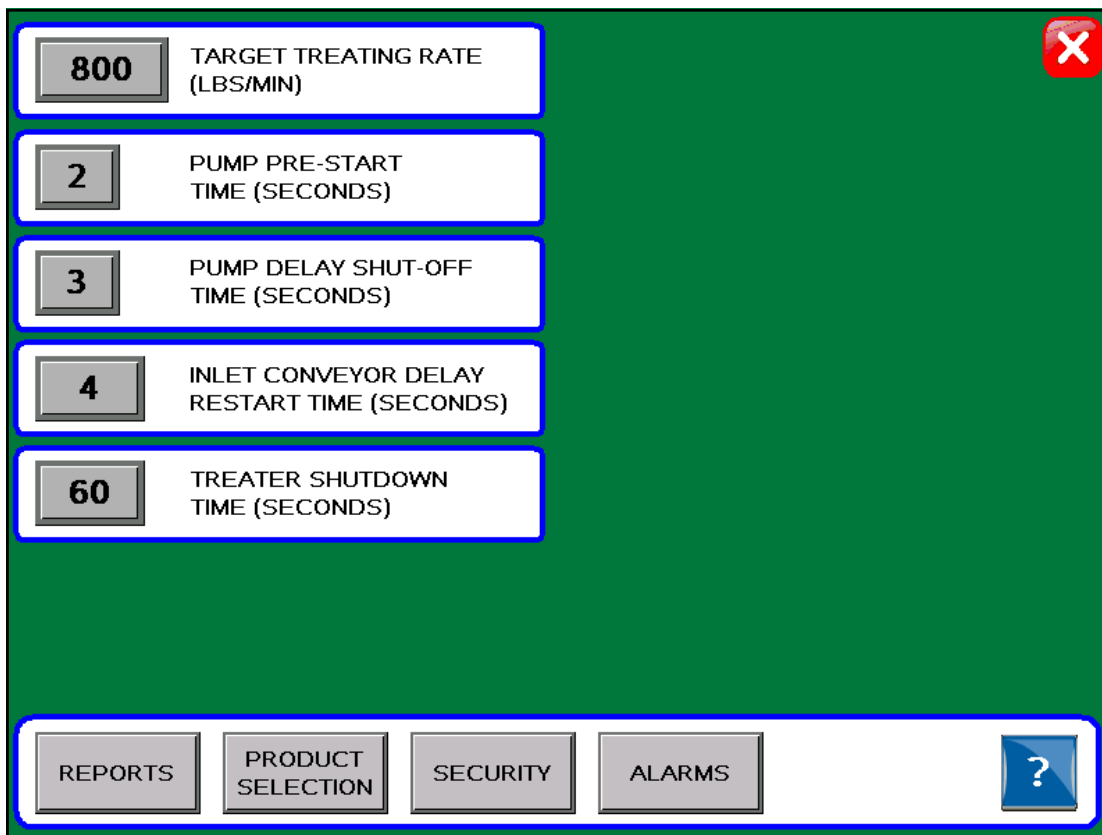
LPX AUTOMATED SEED TREATER

- Take the weight of the seed sample and enter it into the main screen under "CUP WEIGHT".

Enter Seed Sample Weight Here

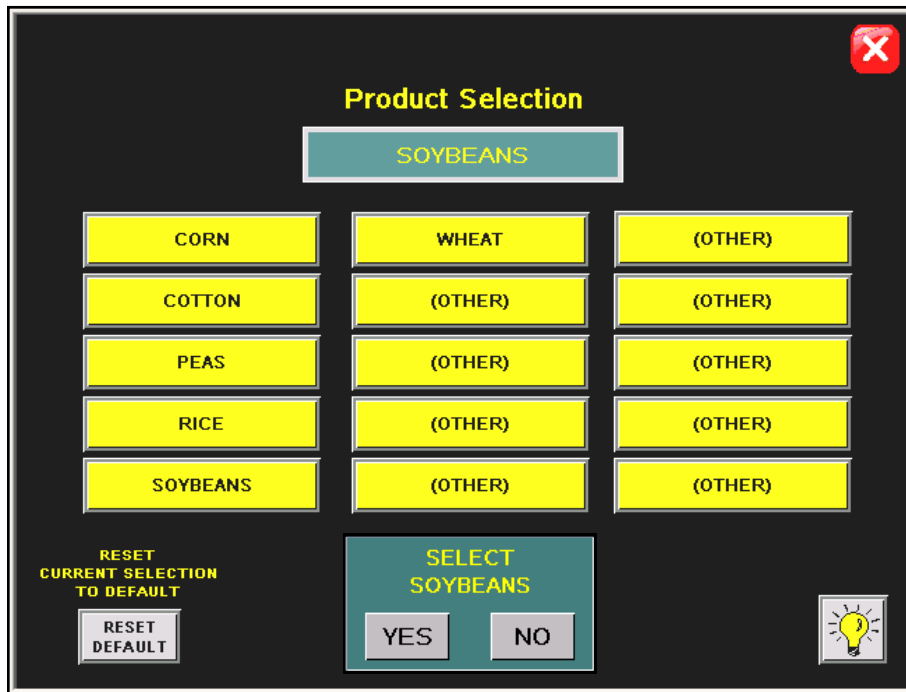


- Press the Utilities button on the main screen to advance to the utilities screen. Enter in the Target Treating Rate in pounds per minute. Also at this time fill in all other parameters on this screen. Below is a screen shot of the utilities screen with typical numbers to use when beginning to treat.



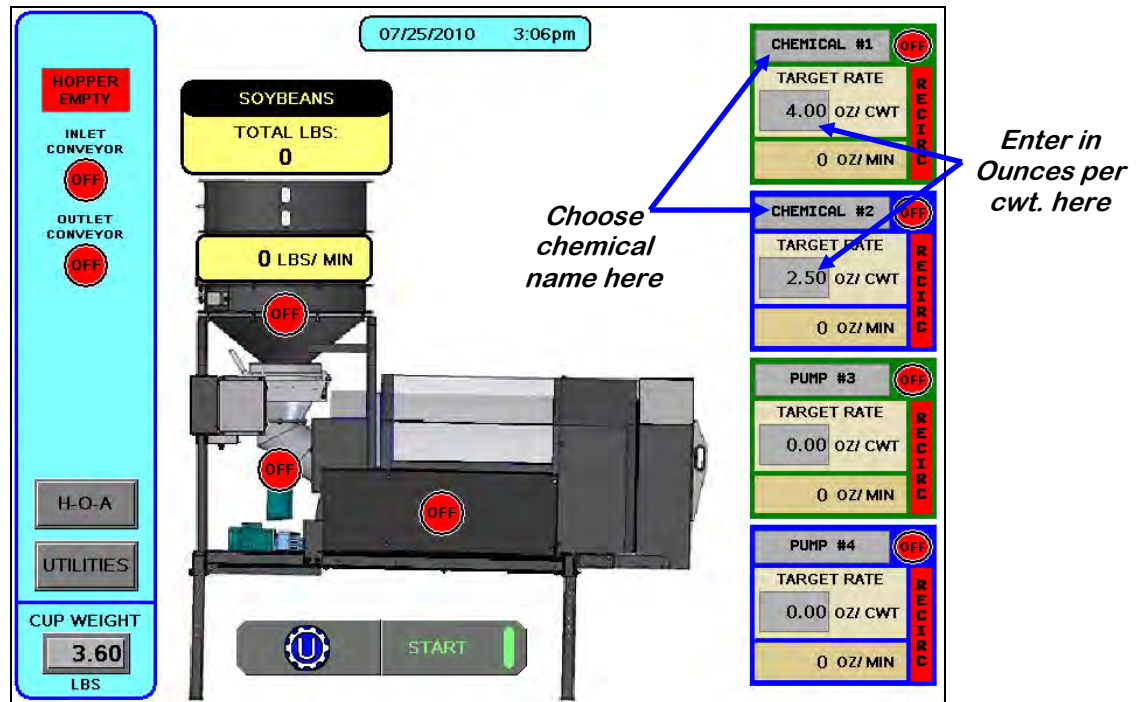
LPX AUTOMATED SEED TREATER

- Next, press the “PRODUCT SELECTION SCREEN” button to advance to the product selection screen. Select the type of seed you will be treating. A confirmation window will appear to confirm the selection. If you are treating a seed that doesn't appear on the screen then select “OTHER”.



PUMP CALIBRATION

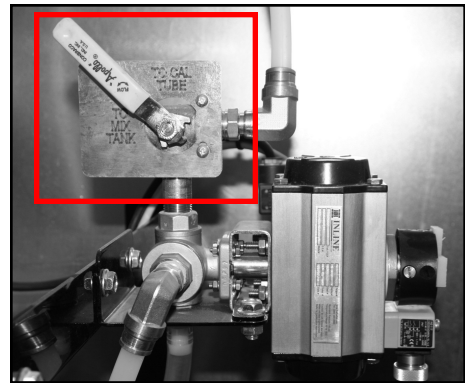
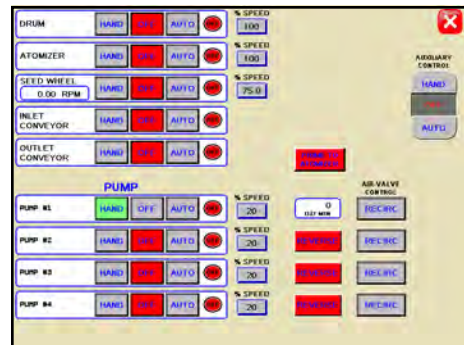
1. Lock down the pump tubing in the pump head. (page 21)
2. Premix enough liquid for the amount of seed you are treating and pour into the chemical mix tank. It's always a good practice to mix up 20% extra slurry to help fill all the lines.
3. On the automated mix tank control panel, place the mix tank motor to the "ON" position. This will ensure that the chemical mixture within the mix tank is blended appropriately.
4. Enter into the main screen the number of ounces needed per hundred pounds of seed. This number will be typed in by pressing the grey box underneath "TARGET RATE". Then choose the type of chemical you will be applying by pressing the grey box located above "TARGET RATE" and choosing the correct chemical from the chemical list.



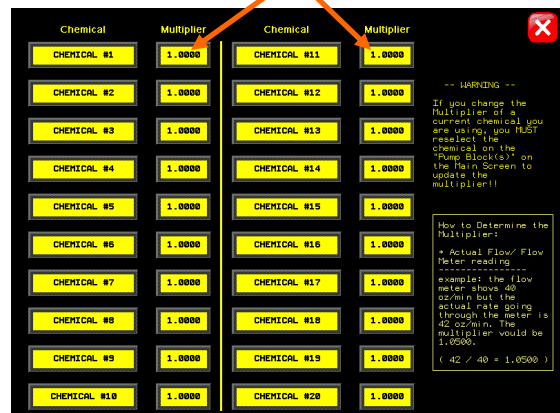
FLOW METER CALIBRATION

Due to the composition of some types of chemicals, additional flow meter calibration may be required. It is recommended that, like other calibration devices, the flow meter(s) is checked regularly and calibrated when needed. When calibrating the flow meter(s), each chemical slurry must be checked and adjusted for.

1. To begin the calibration process, fill the appropriate mix tank with the slurry that is going to be used for this calibration.
2. Turn the corresponding pump to the hand position and adjust the flow rate until it reads about 20 percent on the pump control module (right). Let the system run in recirculation mode for 15 minutes. This will remove any air from the system.
3. Ensure that the chemical multiplier for the currently selected chemical is set at 1 (see steps 6 & 7) and then return to the main screen.
4. Place a measuring cup below the “MIX TANK/CALIBRATION TUBE” valve that is located on top of the mix tank (right). Using a stopwatch, place the valve to the “calibration tube” position and begin timing for one minute. When one minute is up, place the valve back in the “mix tank” position. Note the total ounces of chemical that is in the calibration tube. Also, note the reading of the flow meter on the main screen while the calibration test is being performed.
5. Take the amount of liquid in the calibration tube (ounces) and divide it by the flow meter reading to find the flow meter multiplier.
6. Once the multiplier has been found, enter it into the box for the corresponding chemical in the “Security” section of the program. This box is located to the right of the chemical name box in the “Edit Chemical Names” screen.
7. Exit to the main screen and re-select the chemical name to set the new multiplier and ensure proper calibration on this chemical. The multiplier will not show up on the screen but will be used by the system for calibration purposes.
8. Repeat the process as necessary and for each different chemical slurry used.

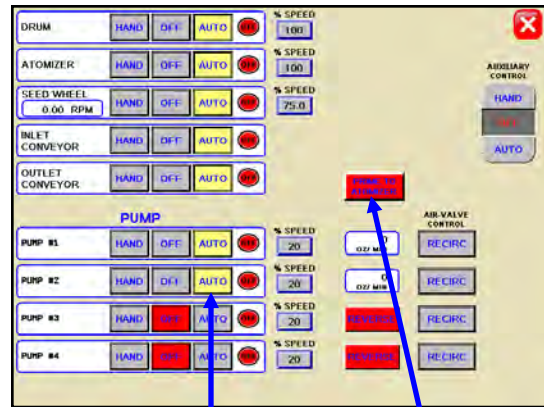


Enter Multiplier Here



TREATING SEED

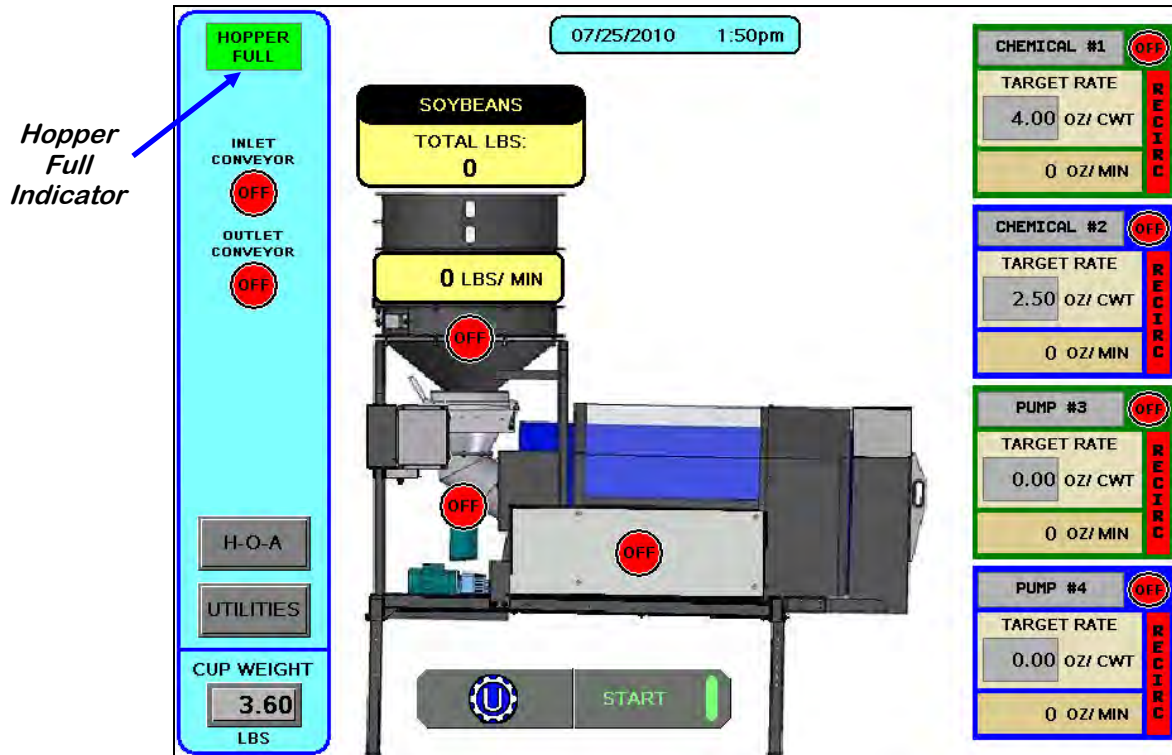
1. Under the H-O-A screen, place the “DRUM”, “ATOMIZER”, “SEED WHEEL”, “INLET CONVEYOR”, “OUTLET CONVEYOR”, and desired pumps in “AUTO”.
2. Next, prime the chemical line to the atomizer. Ensure that the valve on each of the chemical attachment ports on the treater are in the correct position. Then, press and hold the “PRIME TO ATOMIZER” button. The atomizer will turn on and liquid will begin pumping up to the atomizer. When liquid reaches the atomizer, release the “PRIME TO ATOMIZER” button.



AUTO Buttons

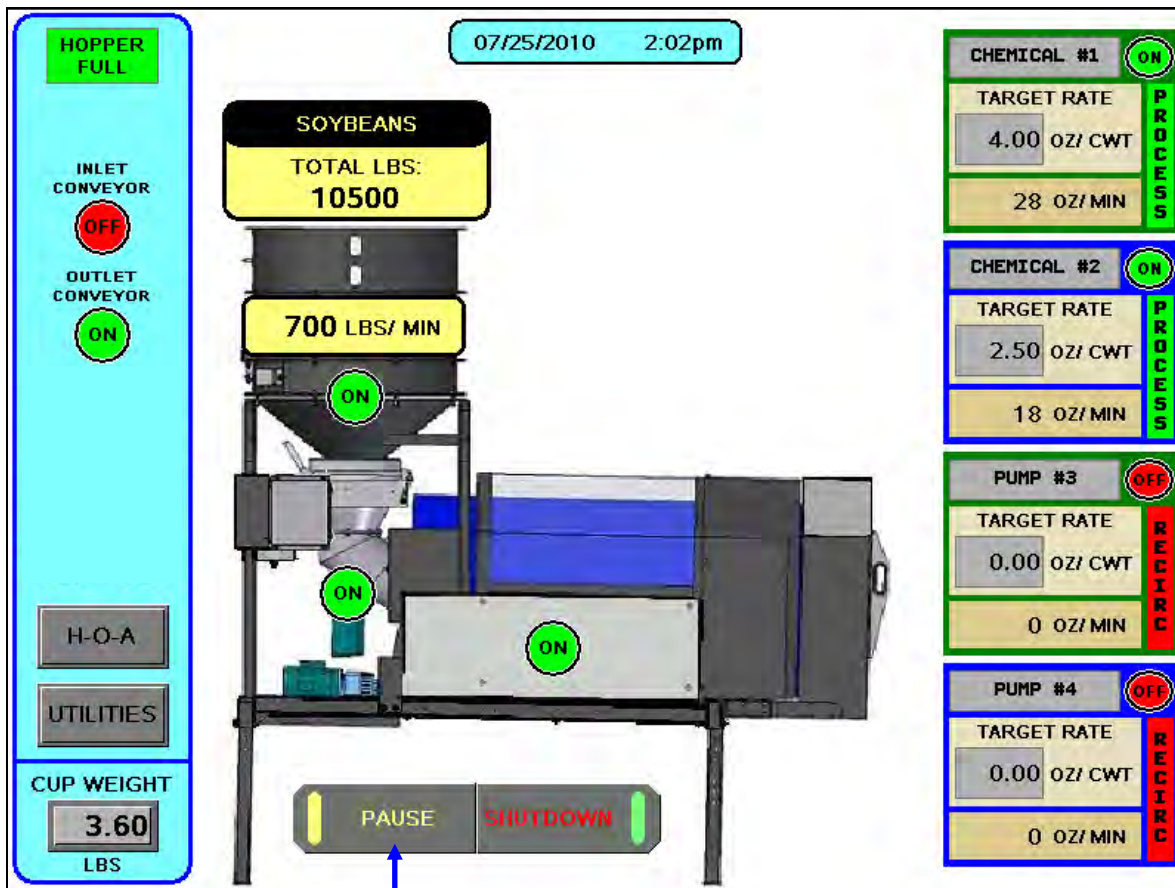
Prime to Atomizer Button

3. Advance back to the main screen and press the “STARTUP” button. The drum, atomizer, inlet conveyor and outlet conveyor will activate. The pump will turn on and re-circulate until it reaches the desired flow rate needed to match the target treating rate that was entered. Begin the flow of seed into the inlet conveyor. The inlet conveyor will then begin dumping seed into the seed wheel.



LPX AUTOMATED SEED TREATER

- When the pump's flow rate has been reached and seed is covering the proximity sensors inside of the seed wheel, the air actuated 3-way valve will open and allow liquid to pump up to the atomizer. A moment later (based on the settings in the utilities screen), the seed wheel will turn on and the seed treating process will begin.
- As the seed is being treated. The main screen will display the pounds per minute, the total pounds, and the liquid flow rate. If the system needs to be stopped for a moment because of a problem. The "PAUSE" button can be pressed to halt the process. When ready to begin again, the "CONTINUE" button is pressed.
- When the seed wheel hopper is full the "HOPPER FULL" indicator light will come on and the inlet conveyor will shut off. The flow of seed into the treater will begin again once seed is no longer present at the top proximity sensor in the hopper. This is done to ensure that seed will not overflow the hopper and flow onto the ground.



Pause Button

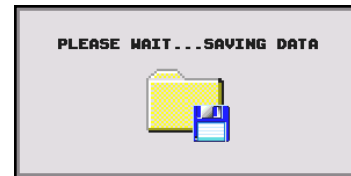
- When all seed passes through the seed wheel, the seed wheel will turn off and the pump will switch to recirculate. When more seed is fed into the treater, the treating process will continue.
- After all seed has been treated, the “SHUTDOWN” button can be pressed. After the button has been pressed, a window will appear notifying the operator that the system will shut down after a specified amount of time.



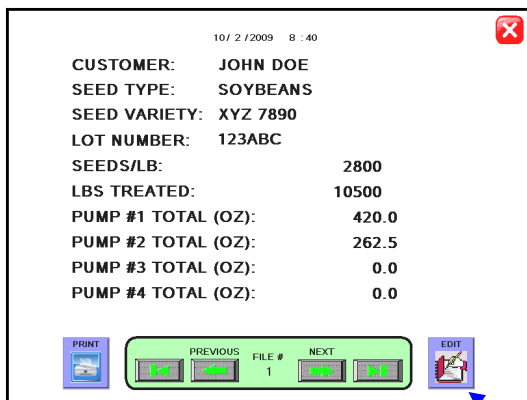
REPORTS

The following steps explain how reports are entered after a run has been completed.

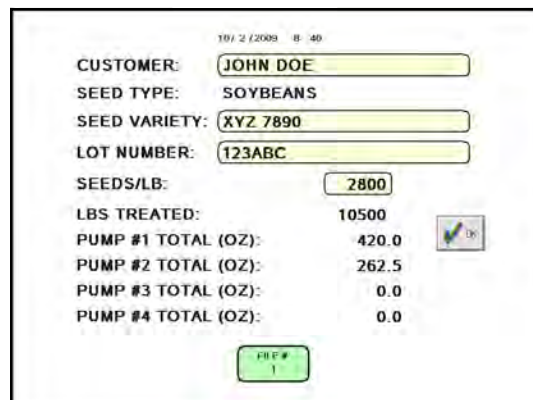
- After the “SHUTDOWN” button has been pressed, a dialog box will appear (right), notifying the operator that the data from the run is being saved.



- Once the data has been saved, the operator will be brought to a reports screen (left). Under the reports screen, the customers information and seed information can be recorded and saved for later use. Press the EDIT button to change the customer name, seed variety, and lot number. Pressing the cells next to each piece of information will bring up a keypad which will allow the operator to enter in the information. When finished the operator can press the “OK” button to save the data. The “PRINT” button can be pressed to print the data for the customers records. Then press the “X” in the top right corner of the screen to exit back to the main screen.

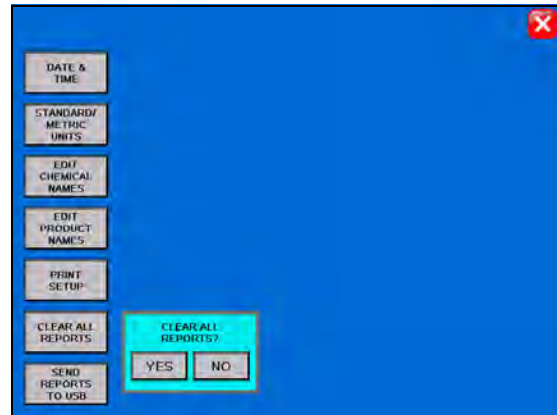
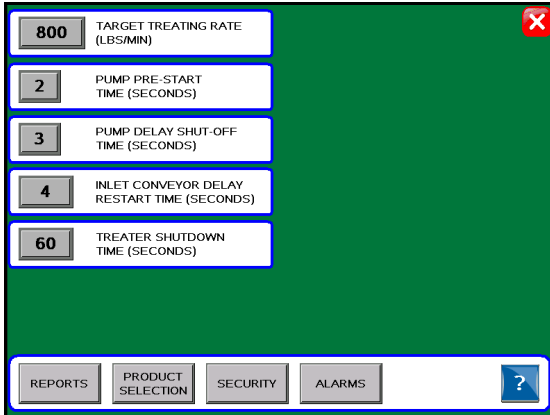


*Edit
Button*



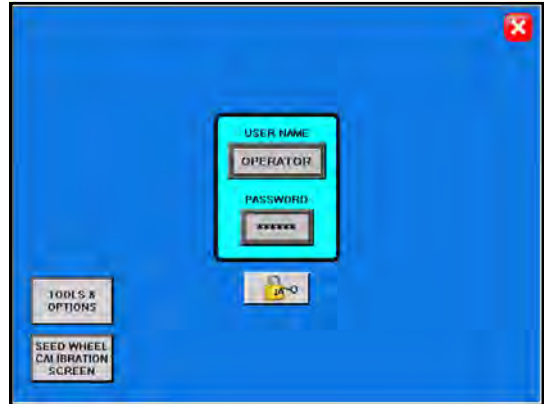
LPX AUTOMATED SEED TREATER

- Once the data has been saved, the reports can be accessed later through the utilities screen (bottom left). Or if you would like to erase the reports, press the “SECURITY” button under the utilities screen to advance to the security screen (bottom right). Enter in the password of “**USC**”. The “CLEAR ALL REPORTS” button will appear allowing the operator to erase all saved reports.



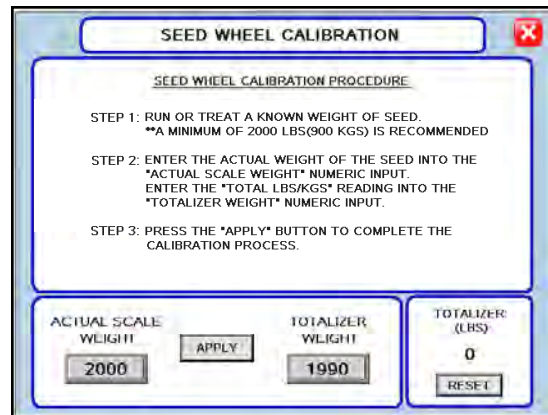
SEED WHEEL CALIBRATION

1. If the totalized weight from the seed wheel differs from the actual weight of the seed that was ran through the treater. The seed wheel can be calibrated to increase accuracy. Press the Utilities button on the Main screen. Next, press the “SECURITY” button to advance to the security screen. Enter in the Password of “**USC**”, then press the Seed Wheel Calibration button. This will advance you to the Seed Wheel Calibration screen.



Security Screen

2. Enter in the “ACTUAL SCALE WEIGHT” of the seed that was treated, and the “TOTALIZER WEIGHT” from what the seed wheel recorded.
3. Press the “APPLY” button. The PLC will automatically calibrate the seed wheel and exit back to the main screen.



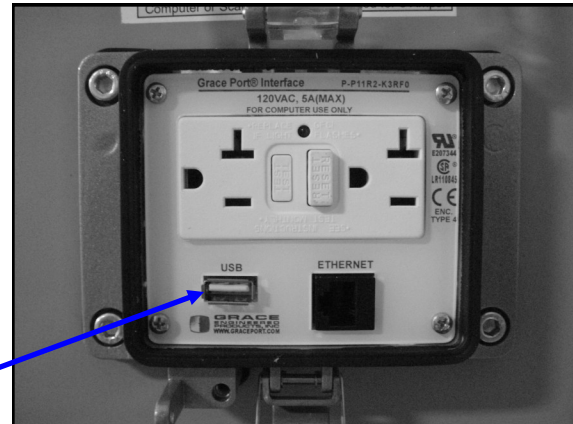
Seed Wheel Calibration Screen

PRINTING & UPLOADING REPORTS

The USB port located on the side of the operator control panel, allows the operator to print reports or upload reports to a compact flash device.

When a printer is hooked to the USB port, the operator can print a report by pressing the print button located on the reports screen.




USB Port



10/ 2 /2009 8 : 40

CUSTOMER: JOHN DOE
SEED TYPE: SOYBEANS
SEED VARIETY: XYZ 7890
LOT NUMBER: 123ABC

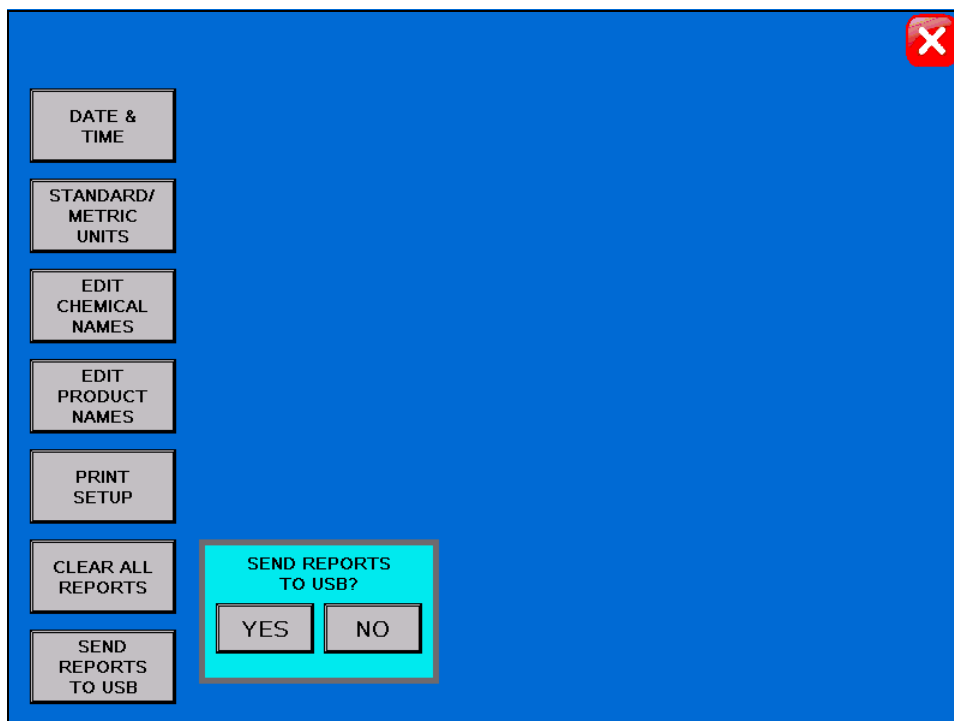
SEEDS/LB:	2800
LBS TREATED:	10500
PUMP #1 TOTAL (OZ):	420.0
PUMP #2 TOTAL (OZ):	262.5
PUMP #3 TOTAL (OZ):	0.0
PUMP #4 TOTAL (OZ):	0.0

Print Button →   

Uploading Reports

Use the following steps to upload reports to a computer.

1. Insert a Compact Flash device into the USB port
2. Advance to the Tools & Options screen
3. Press the “SEND REPORTS TO USB” button. A confirmation window will appear. Press the YES button and all the reports will automatically copy to the compact flash device.



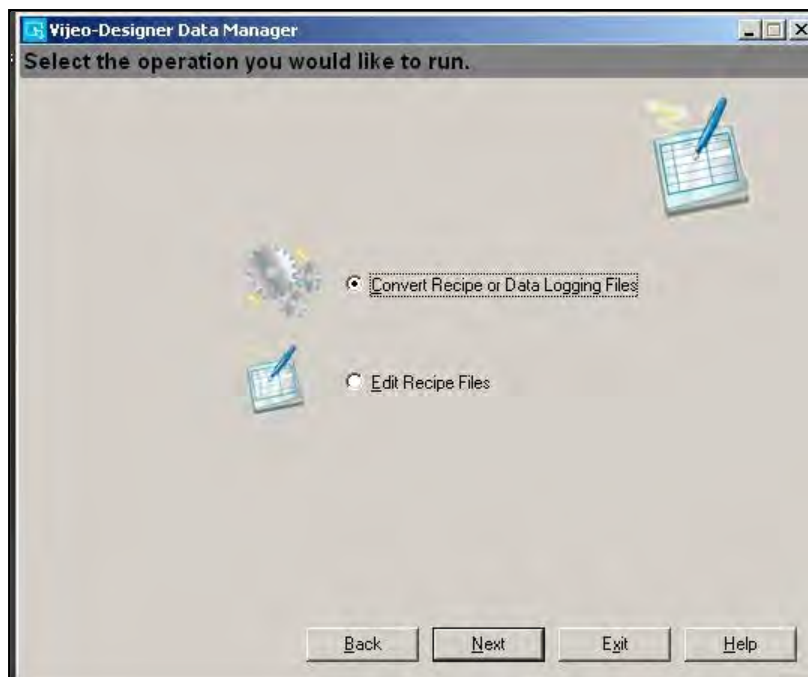
4. Remove the compact flash device from the control panel and insert into your computer. Copy the report file to your computer. The conversion will not work until the file is saved to the computer.
5. Insert HMI Report Conversion CD into your computer and install the Report Converter Software to the computers hard drive.
6. Once the software has been downloaded, open the program Vijeo-Designer Data Manager.

LPX AUTOMATED SEED TREATER

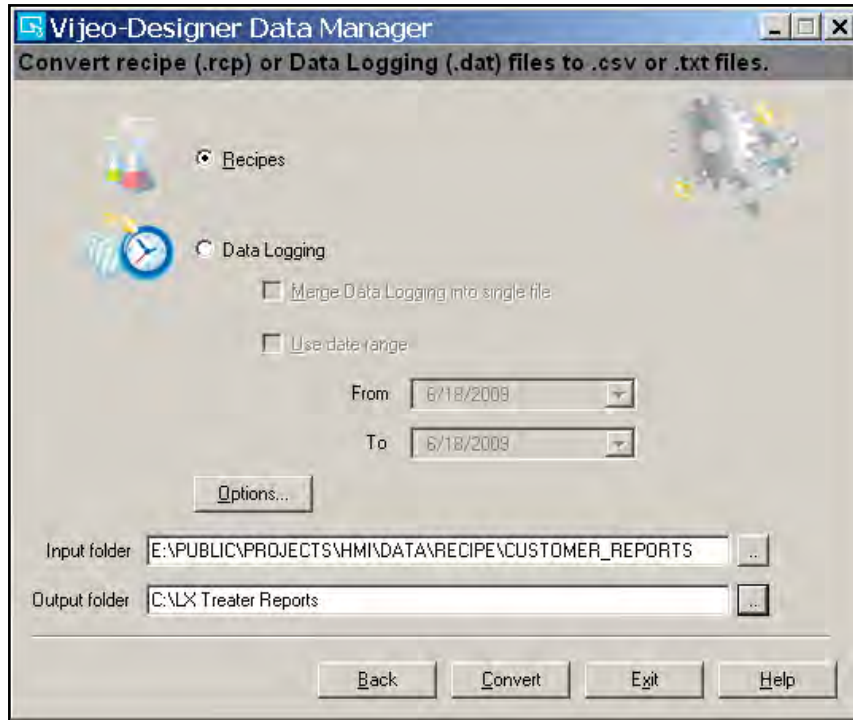
7. On the main page, use the Media drop-down list to select Local Files and then click Next.



8. Select Convert Recipe or Data Logging Files and click Next.

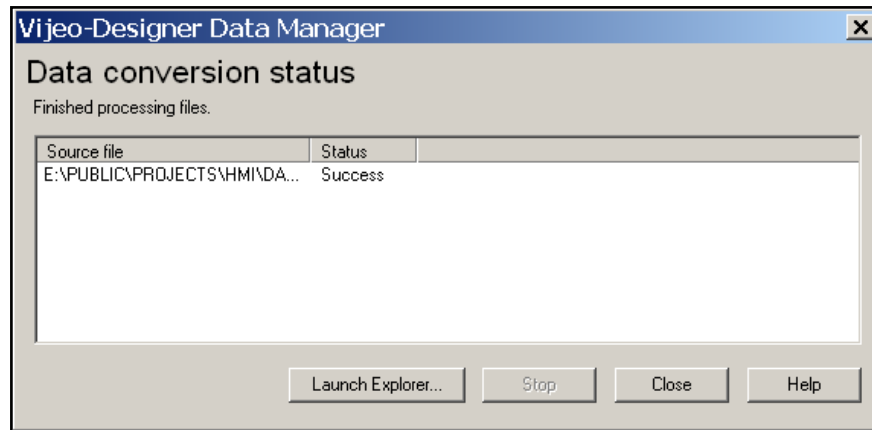


9. In the window to convert files, configure the conversion settings as required. The table below describes the conversion property settings.

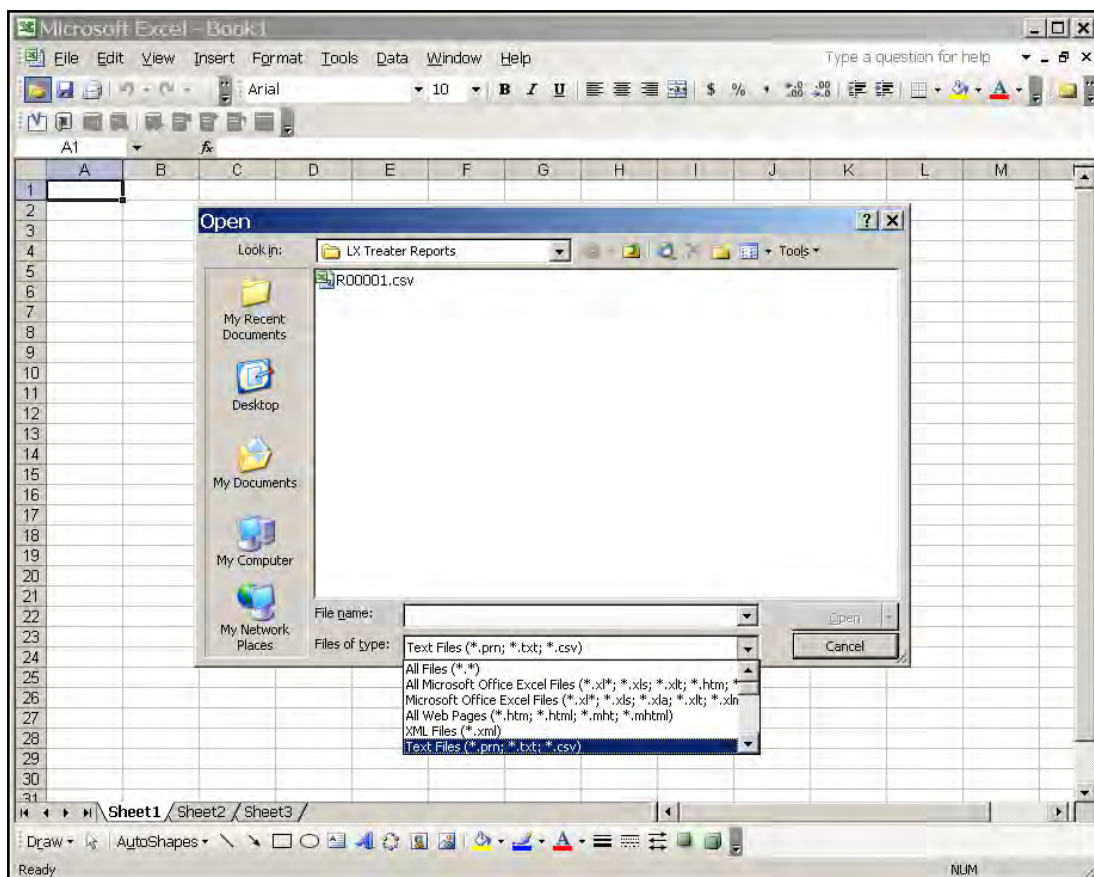


<u>PROPERTY</u>	<u>DESCRIPTION</u>
File Types	Select the file type for the Data Manager to convert Recipes (.rcp)
Input Folder	Specify the folder that contains the files to convert. Click the Input folder ellipsis button and use Windows Explorer to specify the Input folder. Alternatively, you can type the file path directly into the Input folder field. (The path above shows the folder structure that will appear on your USB drive.)
Output Folder	Specify the output folder for the converted files. Click the ellipsis button and use the Windows Explorer to select the output folder. Alternatively, you can type the file path directly into the Output Folder field.

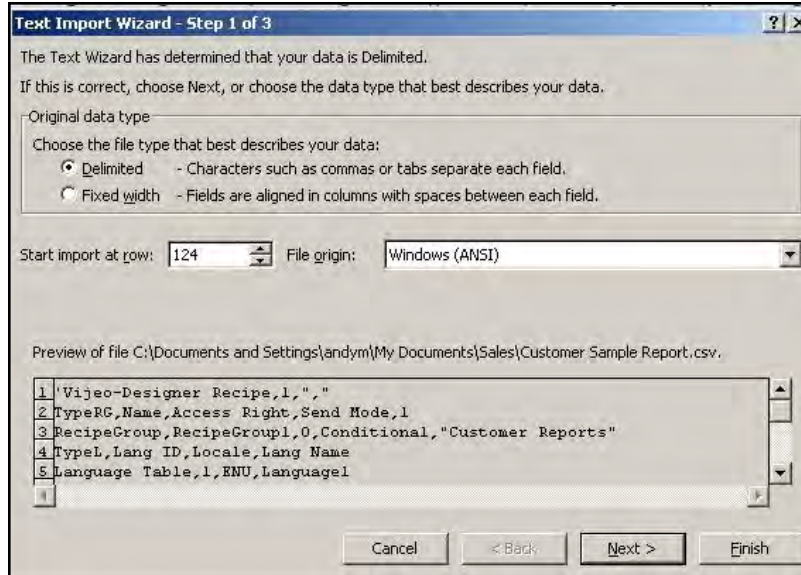
- Click Convert to convert the files. The Data Transfer Status window appears and shows the conversion status.



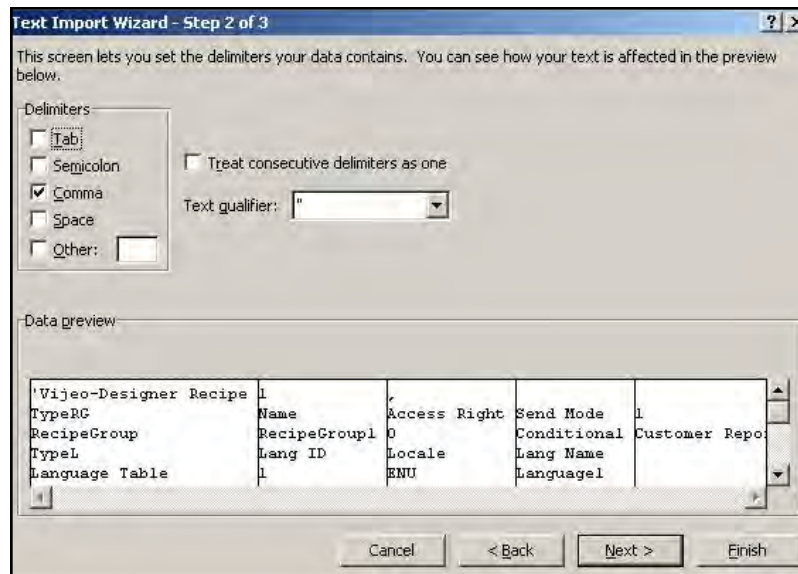
- To save converted (.csv) report files as Microsoft Excel files, start Microsoft Office Excel. In the File menu, click Open. In the Look in: drop-down list, browse to the folder you specified when converting the files. Use the Files of type: drop-down list to select "Text Files (*.prn; *.txt; *.csv)." Select the file R00001.csv and click Open.



- The Text Import Wizard will open. Select Delimited as the Original data type, and enter "124" in the "Start import at row:" input. Click Next.



- De-select "Tab" and select "Comma" as the Delimiter. Then click Next.

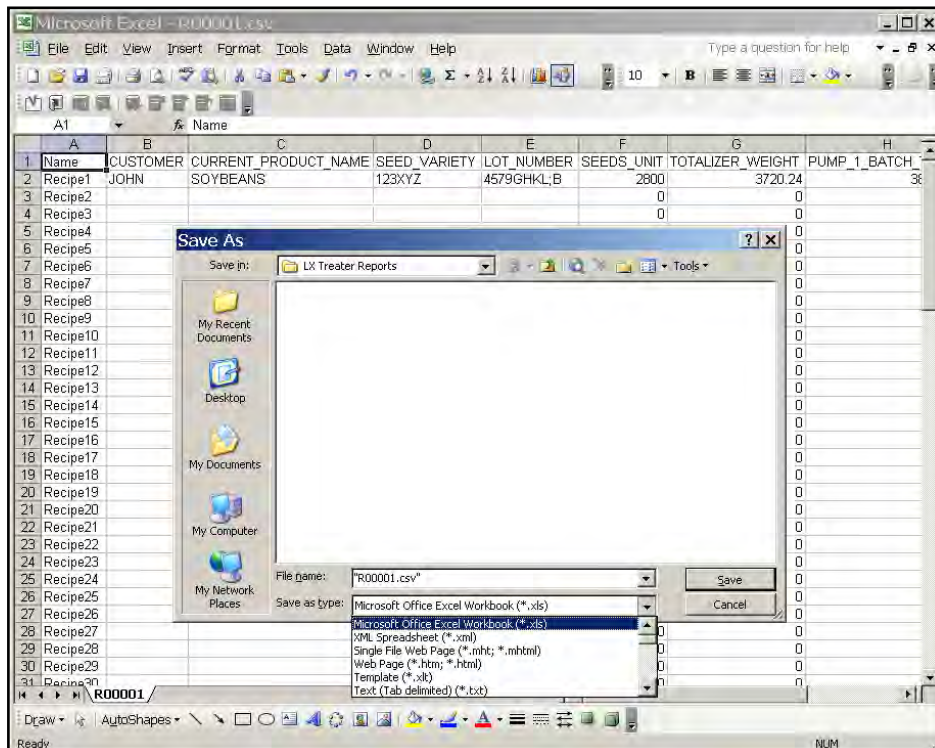


LPX AUTOMATED SEED TREATER

14. Select “Do not import column (skip)” from the Column data format area. Then click Finish.



15. The Report conversion process is complete. In the File menu, click Save As. In the Save as type: drop-down list select Microsoft Office Excel Workbook (*.xls). Click Save. The data is now in Excel format and can be modified as needed.



**SECTION
F**

TROUBLESHOOTING & ALARMS

TROUBLESHOOTING

Below is a table describing the most frequent problems and solutions with the USC LPX Automated Seed Treater. For further assistance, contact your local USC dealer.

Problem	Possible Cause	Solution
Inlet Conveyor will not turn on.	<ol style="list-style-type: none"> 1. Inlet Conveyor proximity switch is activated. 2. Inlet Conveyor proximity switch is too sensitive. 3. Conveyor is plugged into wrong outlet on seed treater panel. 	<ol style="list-style-type: none"> 1. Clean proximity switch. 2. Adjust the Inlet Conveyor proximity switch sensitivity by turning the adjustment screw counter-clockwise (page 60). 3. Check to make sure the Inlet Conveyor is plugged into the inlet conveyor receptacle.
Pump will not turn off in "AUTO" when seed runs out.	<ol style="list-style-type: none"> 1. Proximity switch is dirty. 2. Proximity switch is set too sensitive. 	<ol style="list-style-type: none"> 1. Clean proximity switch. 2. Adjust the pump proximity switch sensitivity by turning adjustment screw counter-clockwise (page 60).
Pump will not turn on in "AUTO".	<ol style="list-style-type: none"> 1. Proximity switch is not staying covered. 2. Proximity switch is not sensitive enough. 	<ol style="list-style-type: none"> 1. Make sure proximity switch is staying covered with seed. 2. Adjust pump proximity switch sensitivity by turning the adjustment screw clockwise (page 60).
Inlet conveyor won't shut off when supply hopper is full.	<ol style="list-style-type: none"> 1. Seed is not hitting proximity switch. 2. Proximity switch is not set sensitive enough. 3. Inlet Conveyor is plugged into wrong receptacle. 	<ol style="list-style-type: none"> 1. Make sure seed is hitting proximity switch. 2. Adjust the inlet conveyor proximity switch by turning the adjustment screw clockwise (page 60). 3. Make sure Inlet Conveyor is plugged inlet conveyor receptacle.

LPX AUTOMATED SEED TREATER

Problem	Possible Cause	Solution
Pump is fluctuating.	<ol style="list-style-type: none"> 1. Restriction in tubing 2. Filter is plugged or missing gasket. 	<ol style="list-style-type: none"> 1. Flush tubing and check filter for any restrictions. 2. Clean filter and check for gasket.
Seed calibration is fluctuating.	<ol style="list-style-type: none"> 1. Seed treater supply hopper is not staying full. 2. Restriction in the supply hopper or seed wheel. 3. Build-up in the atomizing chamber. 	<ol style="list-style-type: none"> 1. Make sure the supply hopper and seed wheel are staying full. May have to lower seed flow rate in order to have a consistent flow of seed. 2. Check supply hopper and seed wheel for any debris, and remove. 3. Remove atomizing housing and clean out any build-up of material.
Drum is slipping and seed is coming out the inlet side of the drum.	<ol style="list-style-type: none"> 1. Drum is wet. 2. The seed treater is set too level. 3. Chains are too loose. 	<ol style="list-style-type: none"> 1. Dry off any moisture that may have collected on the outside of the drum. 2. Adjust the slope of the seed treater to at least a 3" drop from front to back. If desired, more slope can be applied. 3. Check and tighten the drive chains. Also check the chain alignment.
None of the motors will turn to "ON" in "HAND" mode.	<ol style="list-style-type: none"> 1. Processor is faulted. 2. Emergency Stop button is activated. 	<ol style="list-style-type: none"> 1. Disconnect power and wait 30 seconds before reconnecting power. 2. Pull out the emergency stop button.
E-stop is flashing.	<ol style="list-style-type: none"> 1. An E-stop may be depressed. 2. Power may not be on to the control panels. 3. One of the control panels may not be connected to all of the others. 	<ol style="list-style-type: none"> 1. Ensure all E-stops are not depressed. 2. Check incoming power to each control panel. 3. Check the wiring and connections to each control panel.

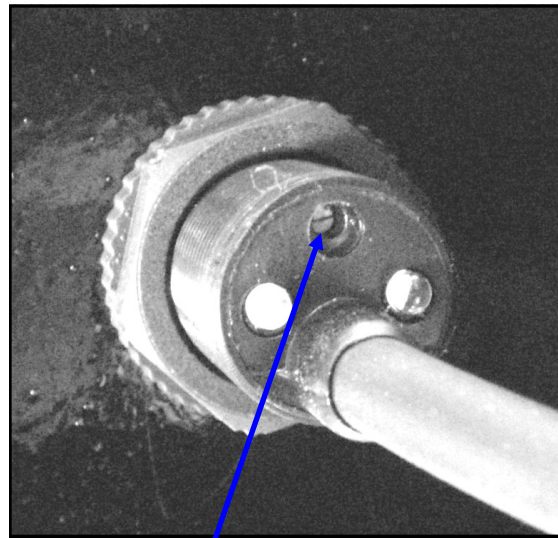
PROXIMITY SWITCH ADJUSTMENT GUIDE

The proximity switches mounted in the extension ring and the seed wheel detect when seed is present.

The proximity switch located in the extension ring is used to automatically shut off the inlet conveyor when the surge hopper is full. This proximity switch is not present on tower systems.

The proximity switches located in the seed wheel automatically shut off the pump when all seed has left the hopper.

If the proximity switch is not working properly, this can be caused by wear, dust, or even moisture. The first step is to clean the lens of the proximity switch. If this does not solve the problem, the next step would be to adjust the sensitivity of the proximity switch.



Sensitivity Adjustment Screw



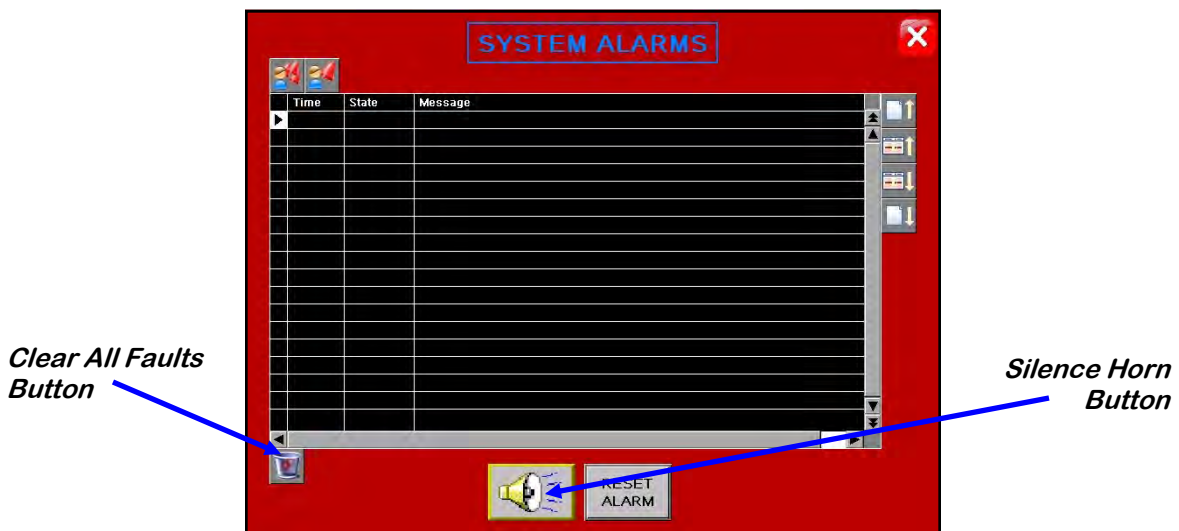
Proximity Switch Screwdriver

Using the small screwdriver provided inside the control panel, you can adjust the proximity switch by turning the adjusting screw on the back of the proximity switch.

- Turn Clockwise to make the proximity switch more sensitive.
- Turn Counterclockwise to make the proximity switch less sensitive.

SYSTEM ALARMS - FAULTS

The table below and on the following pages provides a general description of all the system alarms (faults & warnings) of the LPX Automated Seed treater. When a fault or warning condition is detected by the system, the alarms screen will pop-up describing the cause of the alarm or fault. Any motor fault will activate the alarm screen on the operator control panel. If running, the system will then progress to the controlled shutdown state. A warning will alert the operator of a system condition which needs attention or correction. The alarms are reset when the fault condition is cleared and the “Reset Alarm” button is pressed. The horn is silenced by pressing the “Silence Alarm” button on the alarm screen. For further assistance, contact your local USC dealer.



Alarm - Fault	Possible Cause	Solution
Drum Motor Fault	<ol style="list-style-type: none"> 1. No signal from Drum motor drive (VFD) indicating that the Seed Wheel is running. 2. Drum motor has been shutdown while in Auto mode of operation. 	<ol style="list-style-type: none"> 1. Verify that the VFD is powered up, or check if it is faulted out. Check the Information screen. 2. Verify that the Drum was not turned “Off” while the system was in Auto mode of operation.
Seed Wheel Fault	<ol style="list-style-type: none"> 1. No signal from Seed Wheel motor drive (VFD) indicating that the Seed Wheel is running. 2. Seed Wheel motor has been shutdown while in Auto mode of operation. 	<ol style="list-style-type: none"> 1. Verify that the VFD is powered up, or check if it is faulted out. Check the Information screen. 2. Verify that the Seed Wheel was not turned “Off” while the system was in Auto mode of operation.

LPX AUTOMATED SEED TREATER

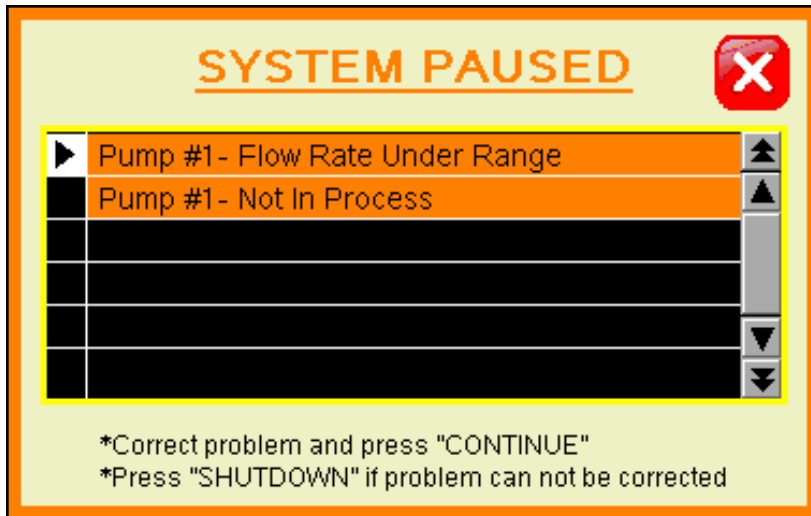
Alarm - Fault	Possible Cause	Solution
Atomizer Motor Fault	<ol style="list-style-type: none"> 1. No signal from Atomizer motor drive (VFD) indicating that the Atomizer is running. 2. Atomizer motor has been shutdown while in Auto mode of operation. 	<ol style="list-style-type: none"> 1. Verify that the VFD is powered up, or check if it is faulted out. 2. Verify that the Atomizer was not turned "Off" while the system was in Auto mode of operation.
Pump Motor Fault	<ol style="list-style-type: none"> 1. No signal from Pump motor drive (VFD) indicating that the Pump is running. 2. Pump motor has been shutdown while in Auto mode of operation. 	<ol style="list-style-type: none"> 1. Verify that the VFD is powered up, or check if it is faulted out. 2. Verify that the Pump was not turned "Off" while the system was in Auto mode of operation.
Mix Tank Motor Fault	Mix Tank motor auxiliary contact was not sensed after being energized to run.	Verify that the motor starter has power and is turned on.
Inlet Conveyor Motor Fault	Inlet Conveyor motor auxiliary contact was not sensed after being energized to run.	Verify that the motor starter has power and is turned on.
Outlet Conveyor Motor Fault	Outlet Conveyor motor auxiliary contact was not sensed after being energized to run.	Verify that the motor starter has power and is turned on.
Pump - Not In Process:	Valve of the liquid displayed failed to divert to process when requested.	Verify valve has diverted, if so troubleshoot sensor, if not check air supply and signal to valve.
Seed Wheel - Lbs/Min Under Range	Actual Lbs/Min is under 95% of target rate.	Make sure the VFD is not maxed out at the specified target rate. Check for sluggish or oscillating Seed Wheel response. Call the manufacturer.

LPX AUTOMATED SEED TREATER

Alarm - Fault	Possible Cause	Solution
Check Operation Of Seed Sensors In Seed Wheel	Seed Wheel is in Auto mode of operation, and only one proximity sensor has been activated for the past ten seconds.	Verify both proximity sensors are working properly. (This alarm will also be activated if seed is only flowing through one side of the seed wheel.)
SURGE SUPPRESSOR - L1 FAILED!!!	L1 of the Surge Protector will no longer protect the electrical panel against voltage surges.	Replace the Surge Protector.

PAUSED CONTROLLED WARNING

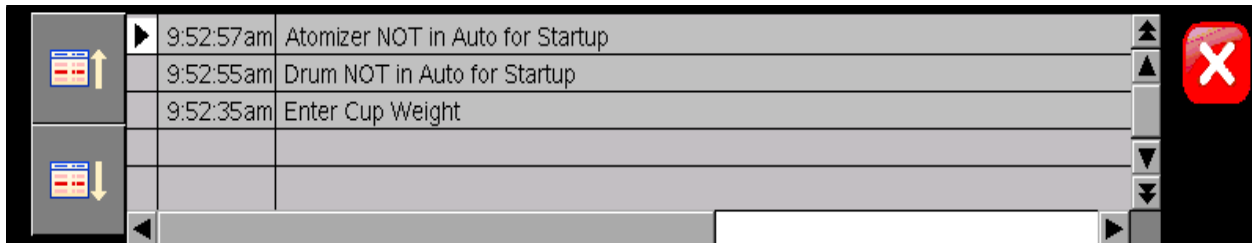
The table below provides a general description of all the system warnings that could occur which would cause the system to pause. When a warning condition is detected, a window will pop-up notifying the operator that the system is “paused” because of a certain condition (below). When the condition has been corrected, the “CONTINUE” button can be pressed to restart the system. If the problem cannot be corrected, the “SHUTDOWN” button can be pressed.



Warning	Possible Cause	Solution
Pump Flow Rate Under Range.	Actual flow rate is under 80% of target flow rate.	Check for empty supply tanks, worn or obstructed hoses, etc. that would cause a loss of liquid flow.
Pump #1-4 Not In Process	Valve of the liquid displayed failed to divert to process when requested	Verify valve has diverted, if so troubleshoot sensor, if not, check air supply and signal to valve.

SYSTEM MESSAGES

The table below provides a general description of all the system messages that could occur. When a warning condition is detected, a window will appear (below) notifying the operator that the system will not start because of a certain condition. When the condition has been corrected, the “STARTUP” button can be pressed to start the system.



Message
Atomizer Not In Auto For Startup
Seed Wheel Not In Auto For Startup:
Drum Not In Auto For Startup
Enter Cup Weight
Current settings EXCEED maximum treater capacity. Check "target treating rate" and "cup weight" settings.
Current settings are below minimum treater capacity. Check "target treating rate" and "cup weight" settings.
Check pump flow rate - Must be above 80% Target Rate for 10 seconds.

**SECTION
G****MAINTENANCE**

Proper maintenance of the LPX Automated Seed Treater is critical for peak performance, reliability and accuracy of this system. The following is a guideline for the type of maintenance and servicing that should be performed on this unit. Your environment and uses may require additional maintenance and service beyond this list to assure a reliable and safe unit. The operator of this unit has ultimate responsibility to identify areas of concern and rectify them before they become a hazard or safety issue. There is no substitute for a trained, alert operator.



Do not put this unit into operation with any questionably maintained parts. Poor performance or a hazard may occur.

DRIVE AND DRUM

- Inspect all welds and structural components on frame and drum for bends, cracks and damage.
- Remove shields and inspect pillow block bearings.
- Inspect drive wheels for unordinary wear, and setscrews for tightness.
- Inspect the Neoprene idler wheels.
- Tighten and lubricate chain.

PUMPS AND PLUMBING

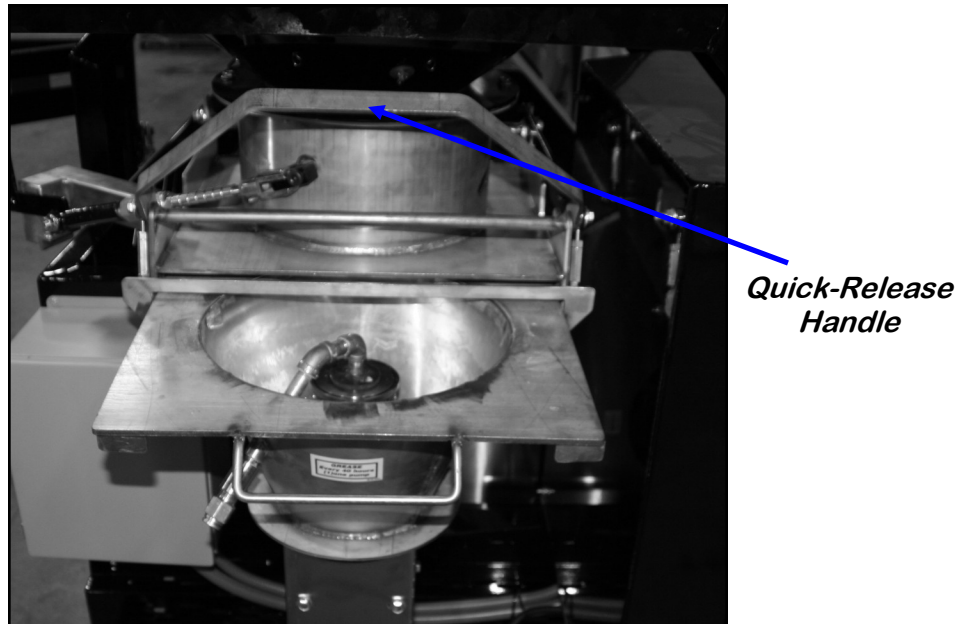
- Check pump in forward and reverse.
- Make sure pump heads open and close smoothly.
- Inspect tubing and for uneven wear. Replace pump tubing often to ensure high flow rates can be met.
- Check air actuated 3-way valve . Clean brass filter if necessary
- Tighten hose clamps and check filter. Clean filter frequently to avoid blockages
- Flush flow meter with clean water frequently to avoid chemical buildup.

SEED WHEEL

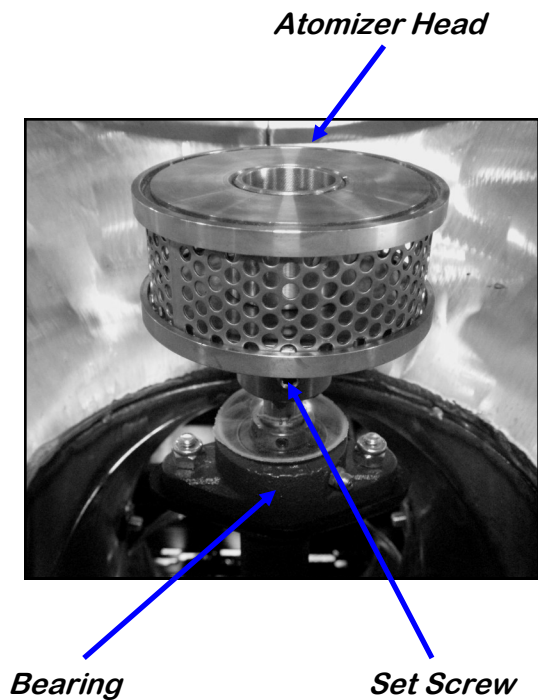
- Inspect all welds and structural components for bends, cracks and damage.
- Remove shields to inspect wheel, brushes and proximity switches.
- Use compressed air to blow out any seeds and excess build-up that may have occurred during operation.

ATOMIZER

To access inside of atomizer housing, push up on the quick release handle and slide back the atomizer (see picture below).



- Slide back atomizer housing and grease bearing inside. Bearing needs just one pump of grease every 40 hours of use.
- Clean any build-up inside the housing and the atomizer head. To remove the atomizer head, loosen the set screw located on the bottom of the head.
- Check for any play in the atomizer shaft.
- Make sure the atomizer spins smoothly.
- Ensure the adjustable chute is fitting completely into the drum opening. Adjust if necessary.



MIX TANK

- Check motor.
 - Check for any play in the mix tank shaft.
 - Check valves, fittings, and plug on bottom of tank for leaks.
 - Check chemical line tubing for abnormal wear.
-

ELECTRICAL PANEL

- Check and tighten wire connections.
- Check quick connects on bottom of control panel.
- Check starters and overloads.
- Check relays and breakers.
- Check and set the proximity switches. (page 60)
- Check VFD's.

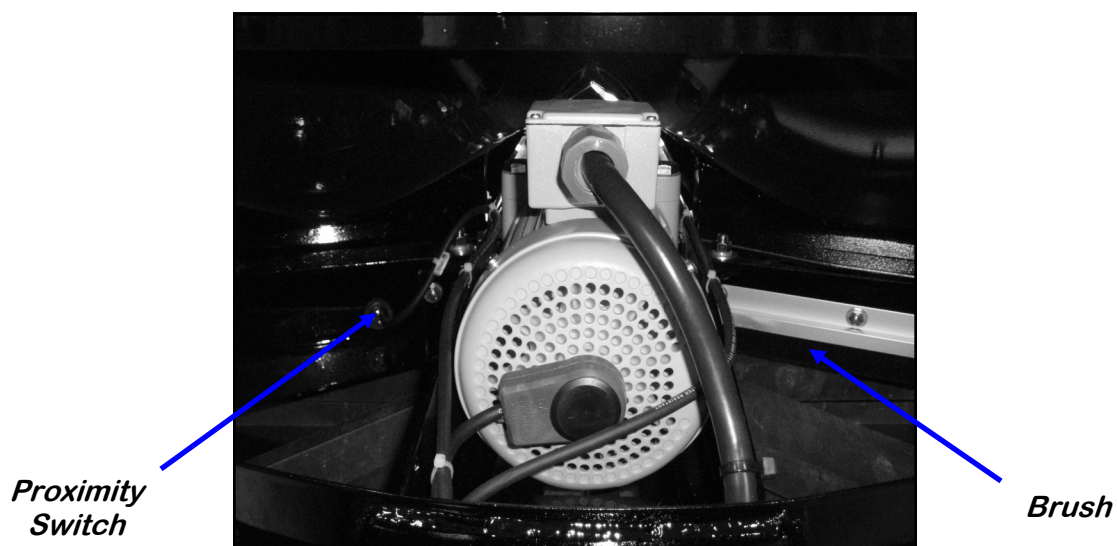
When storing the USC LPX Automated Seed Treater for long periods of time, the following procedure must be followed to reduce the chance of rust, corrosion and fatigue of the treater. You can also use these steps when storing the machine for the winter.



A dust mask and protective rubber gloves shall be used when cleaning the machine.

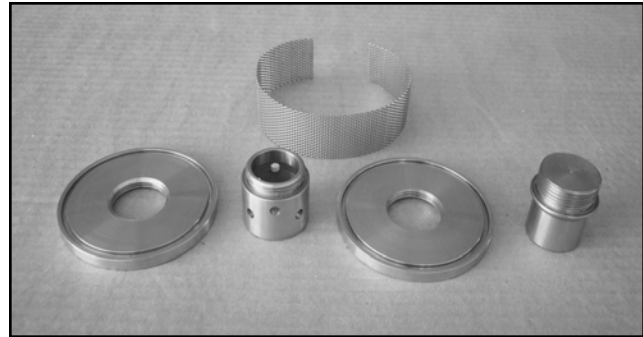
SUPPLY HOPPER & SEED WHEEL

1. Turn power off to the treater and treater components.
2. Remove shields from the seed wheel and remove any debris or build-up. Compressed air can be used to blow out any foreign material.
3. Turn power back on to the treater and run seed wheel to help remove any additional debris. Compressed air can be used to blow out any foreign material.
4. Check brushes for wear (below).
5. Wipe off and clean the lens of the proximity switches (below).
6. Disconnect power and mount all guard back in place.
7. Tarp or cover the supply hopper and seed wheel to keep out any dirt or unwanted pests.



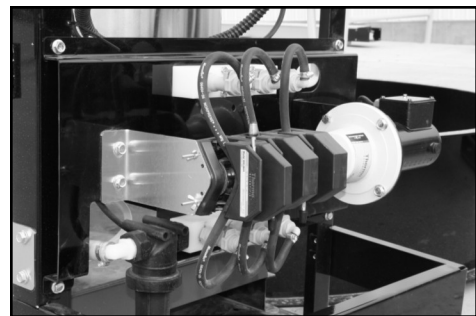
ATOMIZER CHAMBER

1. Remove and clean the atomizer housing.
2. Remove the atomizer head and stainless steel plumbing. The atomizer head can be disassembled (right), for easier cleaning. It is threaded together and can simply be unscrewed.
3. Reinstall the atomizer head and plumbing. Grease the bearing and spin the atomizer head a few times to ensure all grease has been worked into the bearings.



LIQUID SYSTEM

1. Make certain the inside of the tank is completely drained of chemical residue and thoroughly flush the inside of the tank with clean water.
2. Remove and clean the filter.
3. Pump clean water through all areas of the plumbing including the mix tank, flow meter, and valves. It may be necessary to move the position of the air actuated 3-way valve from recirc to process in order to clean the chemical lines that run to the seed treater.
4. Open all drain points, valves, and filter to let as much of the liquid drain as possible.
5. If the seed treater will be exposed to possible freezing temperatures, the final flush of the system should be made with a non freezable liquid. Or use compressed air to blow the lines out from any moisture.
6. Release pump heads (right) and remove tubing to prevent any unnecessary wear.



Pump Head Open

ROTATING DRUM

1. Remove the shields and clean out any seed that may have fallen underneath the drum.
 2. Clean out any residue left on the inside of the drum and around the seed lifters.
 3. Lubricate the chain to keep from corroding in storage.
-

FINAL

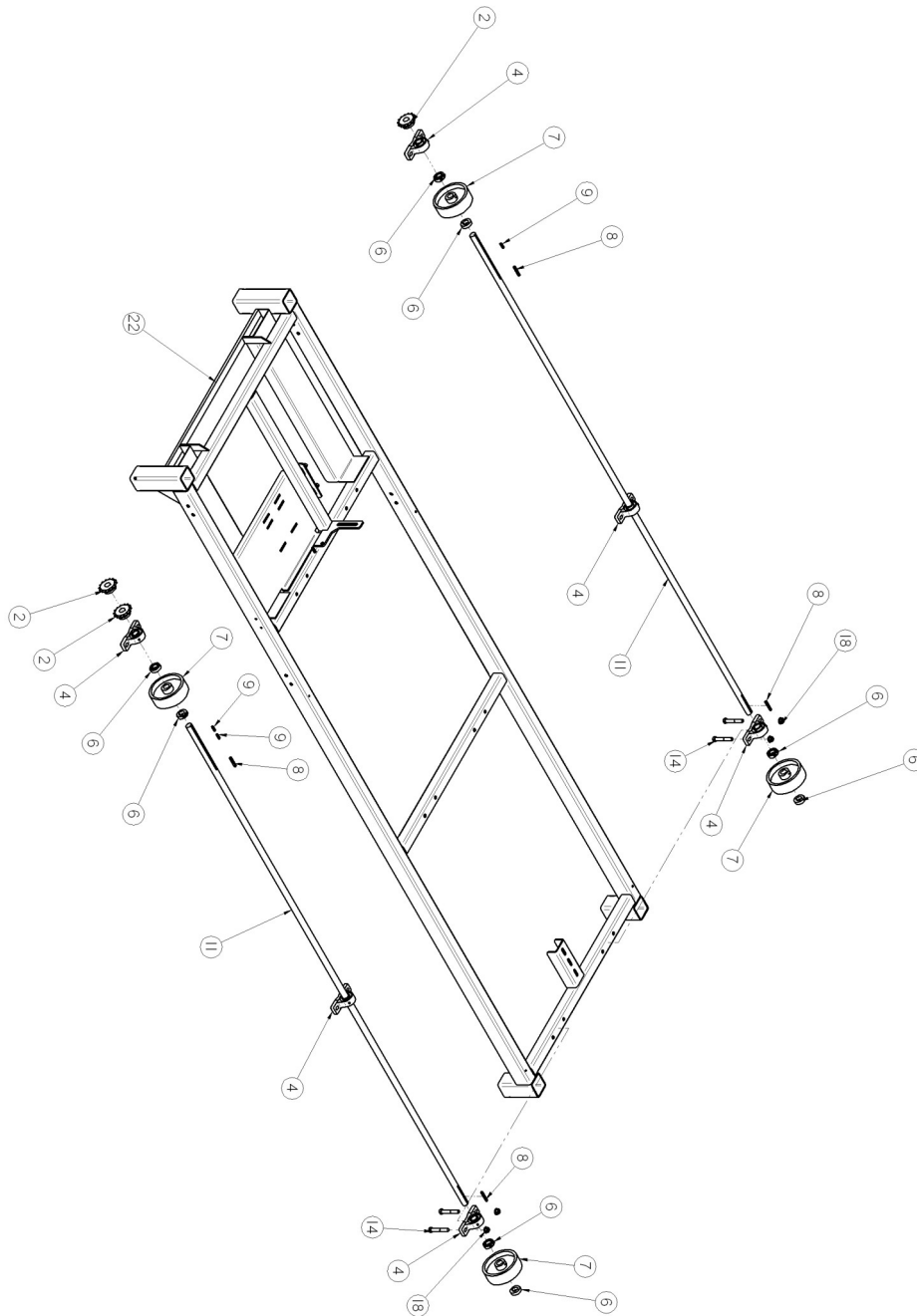
1. Store the machine inside a protective building to keep it from being exposed to the weather.
2. Disconnect power to the machine.
3. Ensure all guards and safety signs are in place.

MECHANICAL DRAWINGS

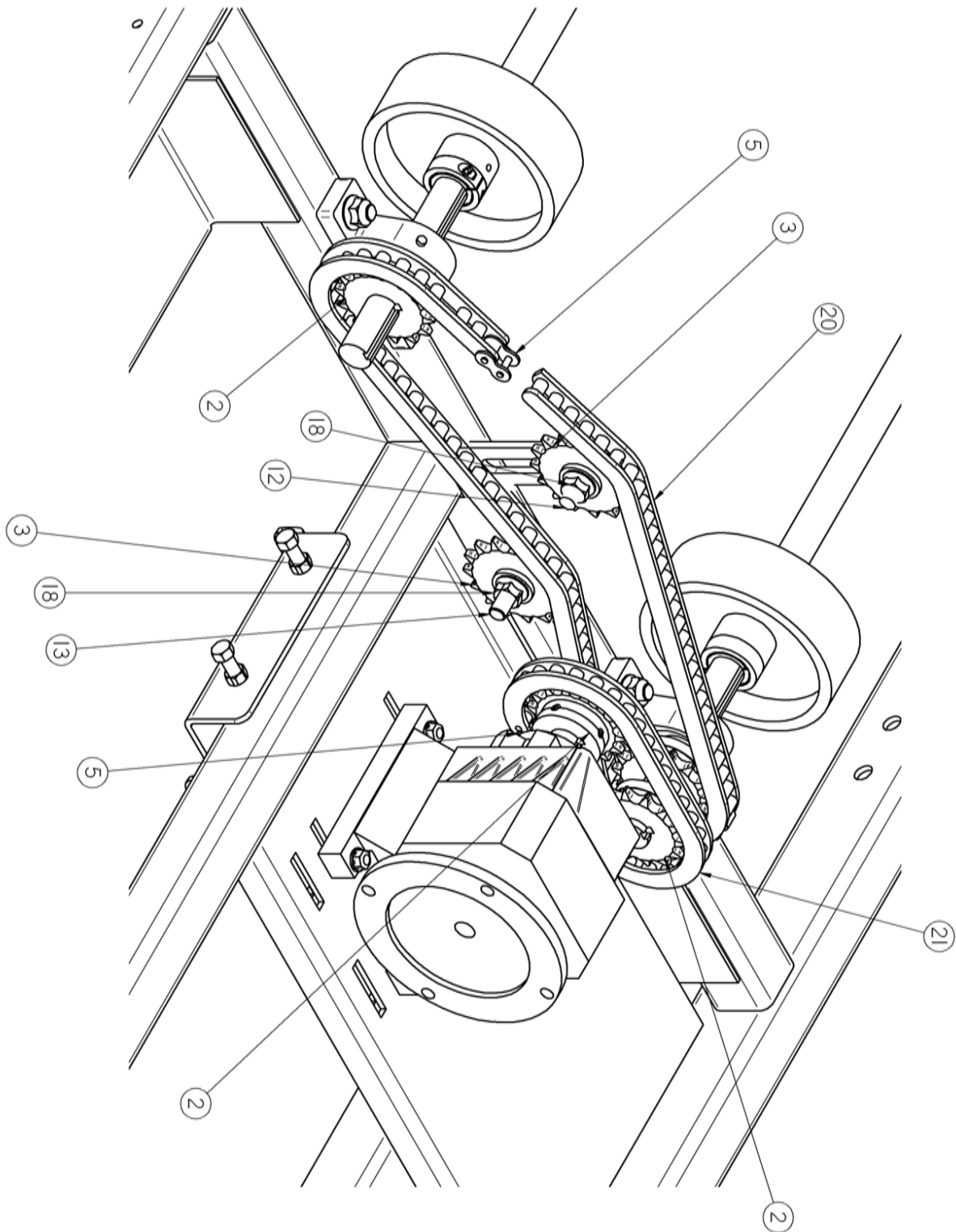
SECTION I

The following pages show the parts of the LPX Automated Seed Treater. Please have the part number ready when ordering parts.

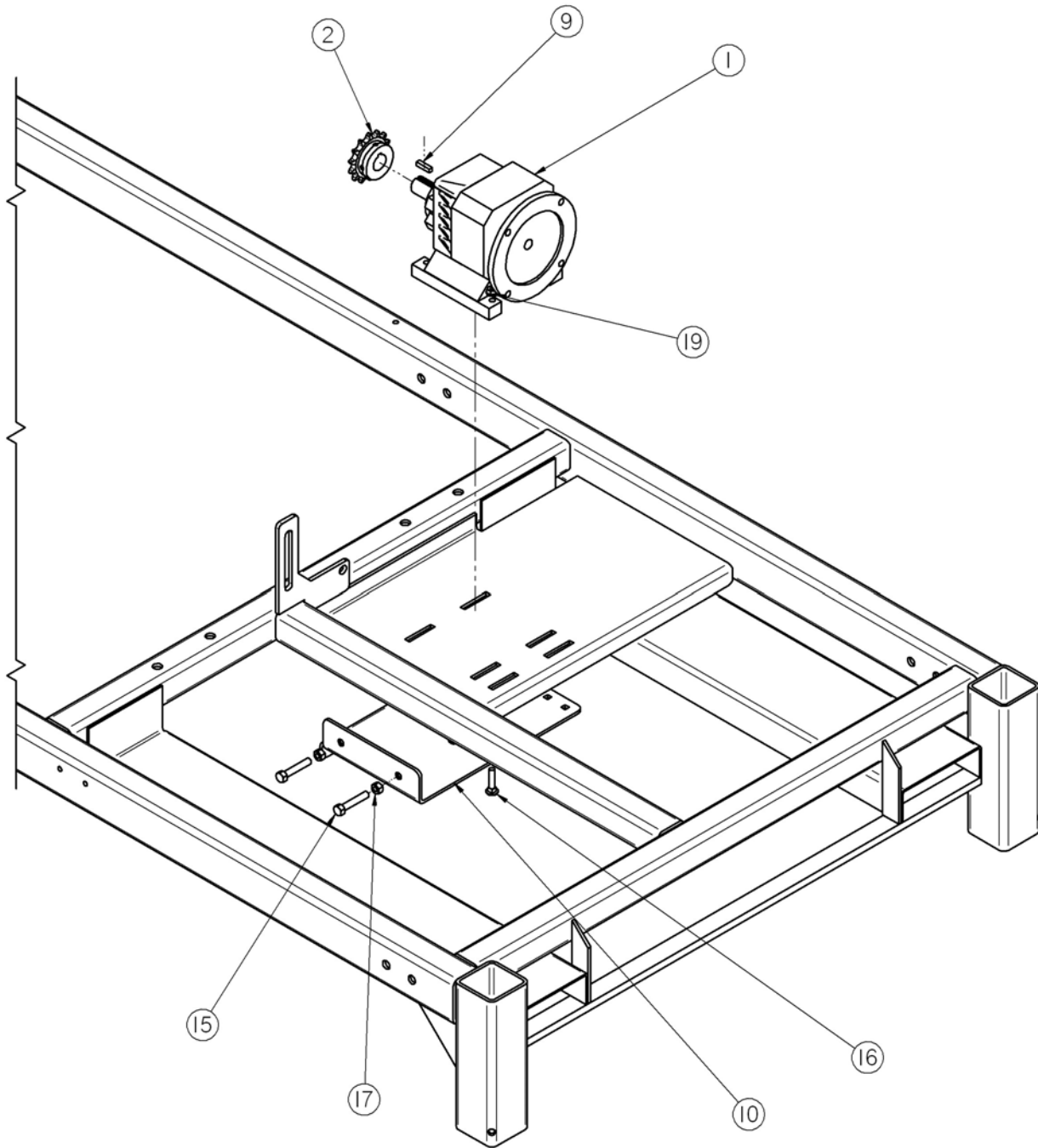
LPX Base Frame Assembly



LPX Base Frame Assembly



LPX Base Frame Assembly

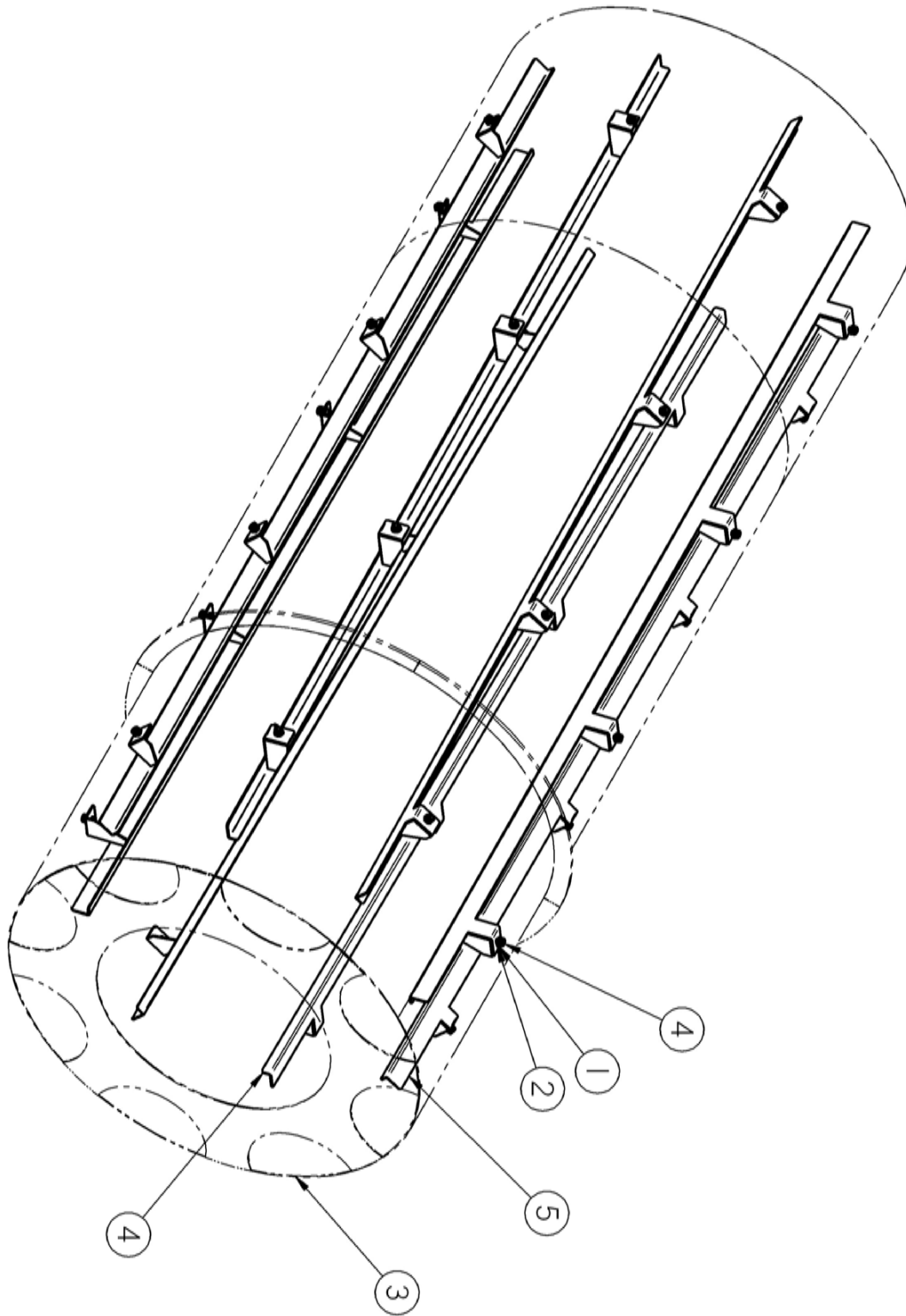


LPX AUTOMATED SEED TREATER

LPX Base Frame Assembly Parts List

<u>LPX BASE FRAME ASSEMBLY</u>		LPX 6FT		LPX 8FT		LPX 10FT	
		18-01-0011		18-01-0012		18-01-0013	
<u>Item #</u>	<u>Title</u>	<u>Part #</u>	<u>Qty</u>	<u>Part #</u>	<u>Qty</u>	<u>Part #</u>	<u>Qty</u>
1	GBOX IL 56C 16.2:1 GR B1 FOOT MNT	01-01-0101	1	01-01-0101	1	01-01-0101	1
2	SPROCKET # 50 14T 1.00 IN BORE TYPE B	01-02-0093	4	01-02-0093	4	01-02-0093	4
3	SPKT 17 T 50P .500 ID IDLER	01-02-0095	2	01-02-0095	2	01-02-0095	2
4	BRG PLW 1.00ID STSC SEALED	01-03-0036	6	01-03-0036	6	01-03-0036	6
5	#50 CNTG LINK	01-04-0005	2	01-04-0005	2	01-04-0005	2
6	SHAFT CLR 1.00ID SPLIT	01-05-0008	8	01-05-0008	8	01-05-0008	8
7	WHL DRV 6 X 2 X 1.00ID .250KWY	01-06-0002	4	01-06-0002	4	01-06-0002	4
8	KEY .250 X 2.00 CS	01-10-0003	4	01-10-0003	4	01-10-0003	4
9	KEY .250 X 1.00 CS	01-10-0004	4	01-10-0004	4	01-10-0004	4
10	WDMT DRUM DRV ADJ PLT	05-04-0067	1	05-04-0067	1	05-04-0067	1
11	DRIVE SHAFT	05-11-0003	2	05-11-0348	2	05-11-0235	2
12	BOLT CRG .500-13 X 2.00 ZP GR5	06-01-0026	1	06-01-0026	1	06-01-0026	1
13	BOLT .500-13 X 2.00 ZP GR5	06-01-0027	1	06-01-0027	1	06-01-0027	1
14	BOLT .500-13 X 3.25 ZP GR5	06-01-0029	12	06-01-0029	12	06-01-0029	12
15	BOLT .375-16 X 2.00 ZP GR5 FULL THRD	06-01-0137	2	06-01-0137	2	06-01-0137	2
16	BOLT CRG .313-18 X 1.75 ZP GR5	06-01-0172	4	06-01-0172	4	06-01-0172	4
17	NUT FULL .375-16 ZP GR5	06-02-0003	2	06-02-0003	2	06-02-0003	2
18	NUT LOCK FLG .500-13 ZP GR5	06-03-0015	14	06-03-0015	14	06-03-0015	14
19	NUT, FLG .3125-18 UNC ZP GRADE 5	06-03-0019	4	06-03-0019	4	06-03-0019	4
20	#50 CHAIN 84LINKS	13-05-0156	1	13-05-0156	1	13-05-0156	1
21	#50 CHAIN -- 32 LINKS	13-05-0157	1	13-05-0157	1	13-05-0157	1
22	WDMT BASE FR LPX	18-01-0007	1	18-01-0008	1	18-01-0009	1

LPX Drum Assembly



LPX AUTOMATED SEED TREATER

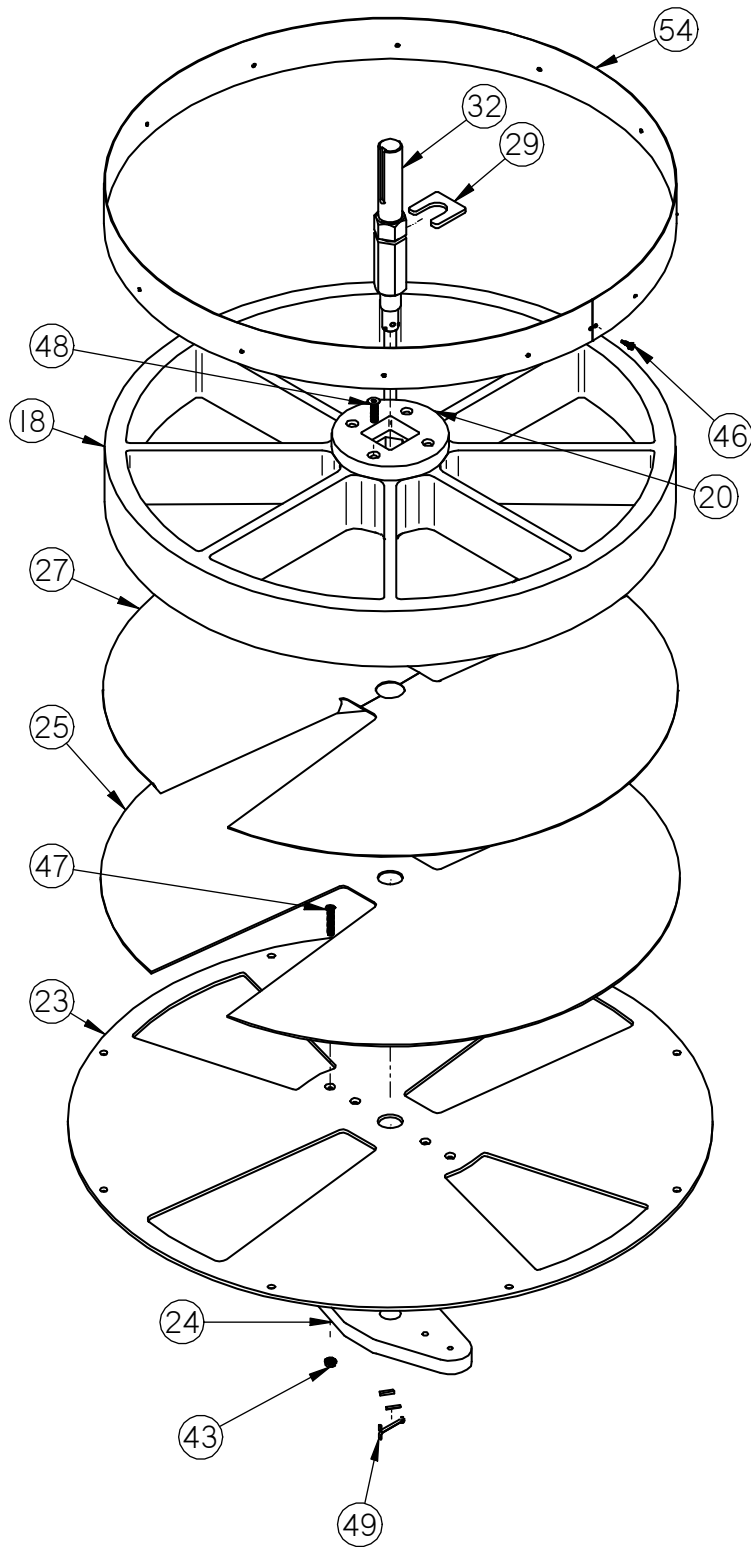
LPX Drum Assembly Parts List

<u>LPX DRUM ASSEMBLY</u>		LPX800 6FT CS		LPX800 6FT SS		LPX2000 6FT CS	
		18-01-0042		18-01-0043		18-01-0044	
<u>Item #</u>	<u>Title</u>	<u>Part #</u>	<u>Qty</u>	<u>Part #</u>	<u>Qty</u>	<u>Part #</u>	<u>Qty</u>
1	NUT LOCK FLG .375-16 ZP GR5	06-03-0014	24	06-03-0014	24	06-03-0014	24
2	WSHR SS BONDED SEALING .375 ID	06-04-0013	24	06-04-0013	24	06-04-0013	24
3	WDMT DRUM LPX	18-01-0016	1	18-01-0129	1	18-01-0018	1
4	WDMT DRUM PDL TALL	18-01-0026	4	18-01-0027	4	18-01-0026	4
5	WDMT DRUM PDL SHORT	18-01-0034	4	18-01-0035	4	18-01-0034	4

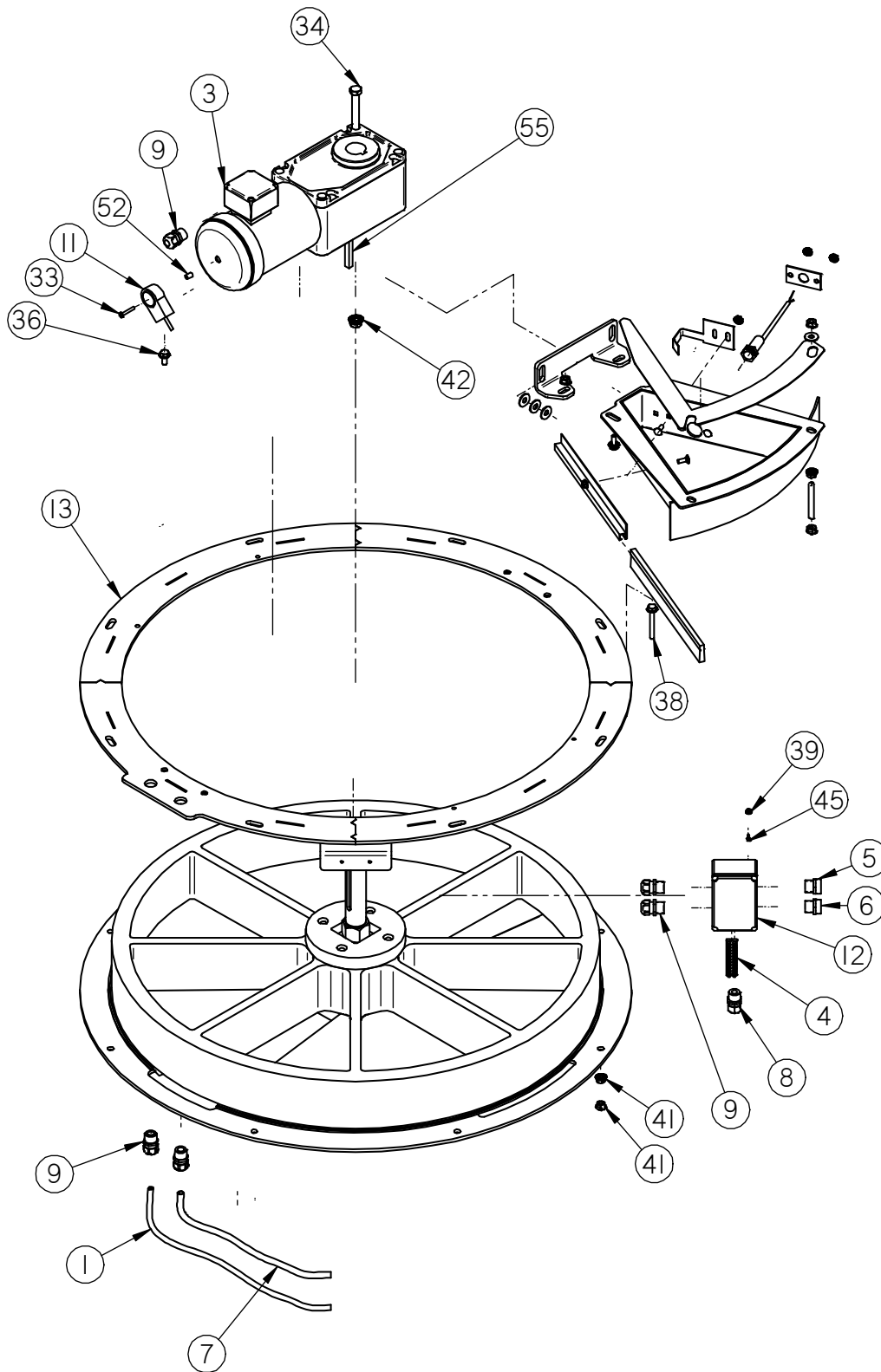
<u>LPX DRUM ASSEMBLY</u>		LPX2000 6FT SS		LPX2000 8FT CS		LPX2000 8FT SS	
		18-01-0045		18-01-0046		18-01-0047	
<u>Item #</u>	<u>Title</u>	<u>Part #</u>	<u>Qty</u>	<u>Part #</u>	<u>Qty</u>	<u>Part #</u>	<u>Qty</u>
1	NUT LOCK FLG .375-16 ZP GR5	06-03-0014	24	06-03-0014	32	06-03-0014	32
2	WSHR SS BONDED SEALING .375 ID	06-04-0013	24	06-04-0013	32	06-04-0013	32
3	WDMT DRUM LPX	18-01-0019	1	18-01-0020	1	18-01-0132	1
4	WDMT DRUM PDL TALL	18-01-0027	4	18-01-0028	4	18-01-0133	4
5	WDMT DRUM PDL SHORT	18-01-0035	4	18-01-0036	4	18-01-0134	4

<u>LPX DRUM ASSEMBLY</u>		LPX2000 10FT CS		LPX2000 10FT SS	
		18-01-0048		18-01-0049	
<u>Item #</u>	<u>Title</u>	<u>Part #</u>	<u>Qty</u>	<u>Part #</u>	<u>Qty</u>
1	NUT LOCK FLG .375-16 ZP GR5	06-03-0014	40	06-03-0014	40
2	WSHR SS BONDED SEALING .375 ID	06-04-0013	40	06-04-0013	40
3	WDMT DRUM LPX	18-01-0022	1	18-01-0135	1
4	WDMT DRUM PDL TALL	18-01-0030	4	18-01-0136	4
5	WDMT DRUM PDL SHORT	18-01-0038	4	18-01-0137	4

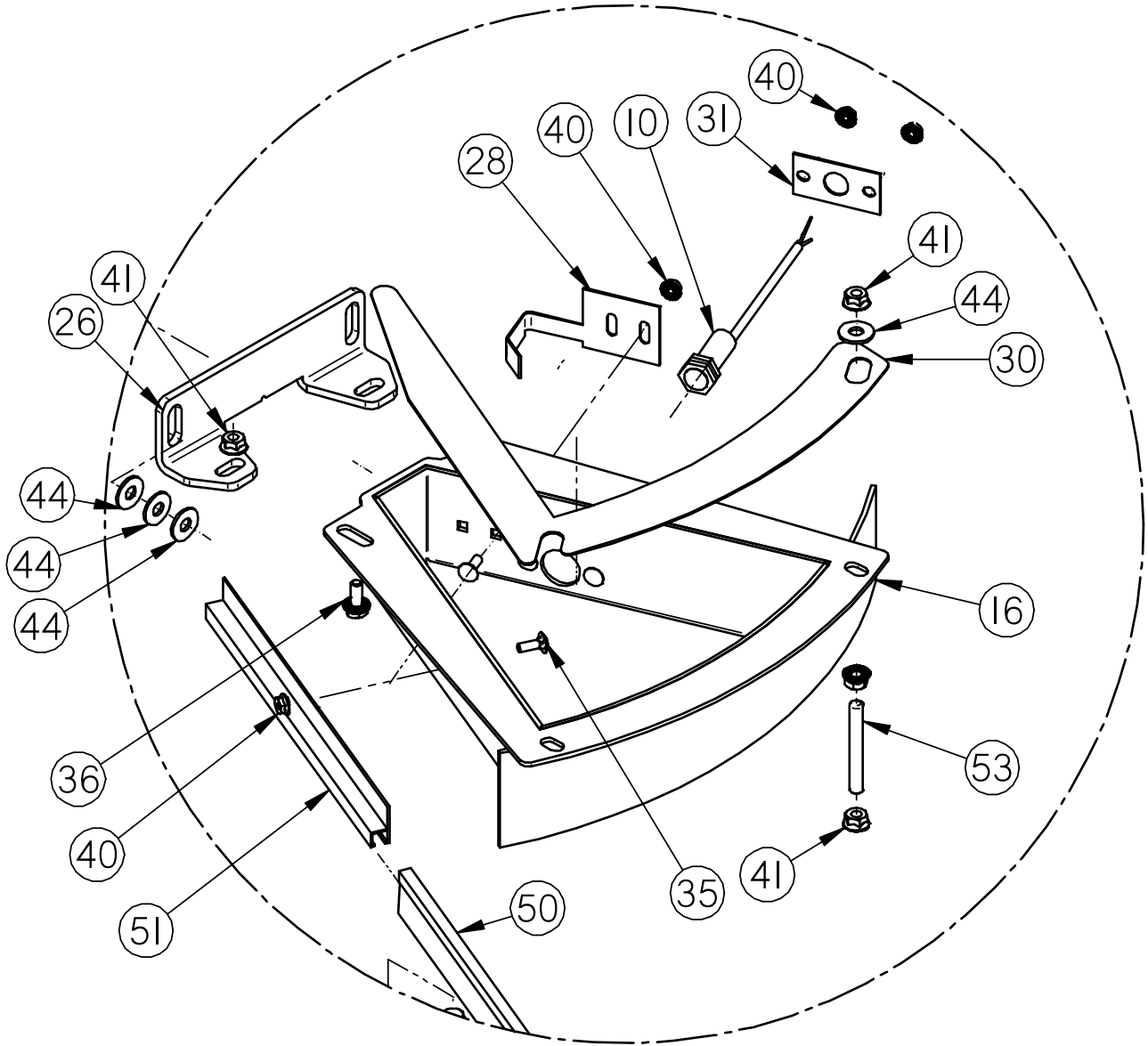
LPX Seed Wheel Assembly



LPX Seed Wheel Assembly

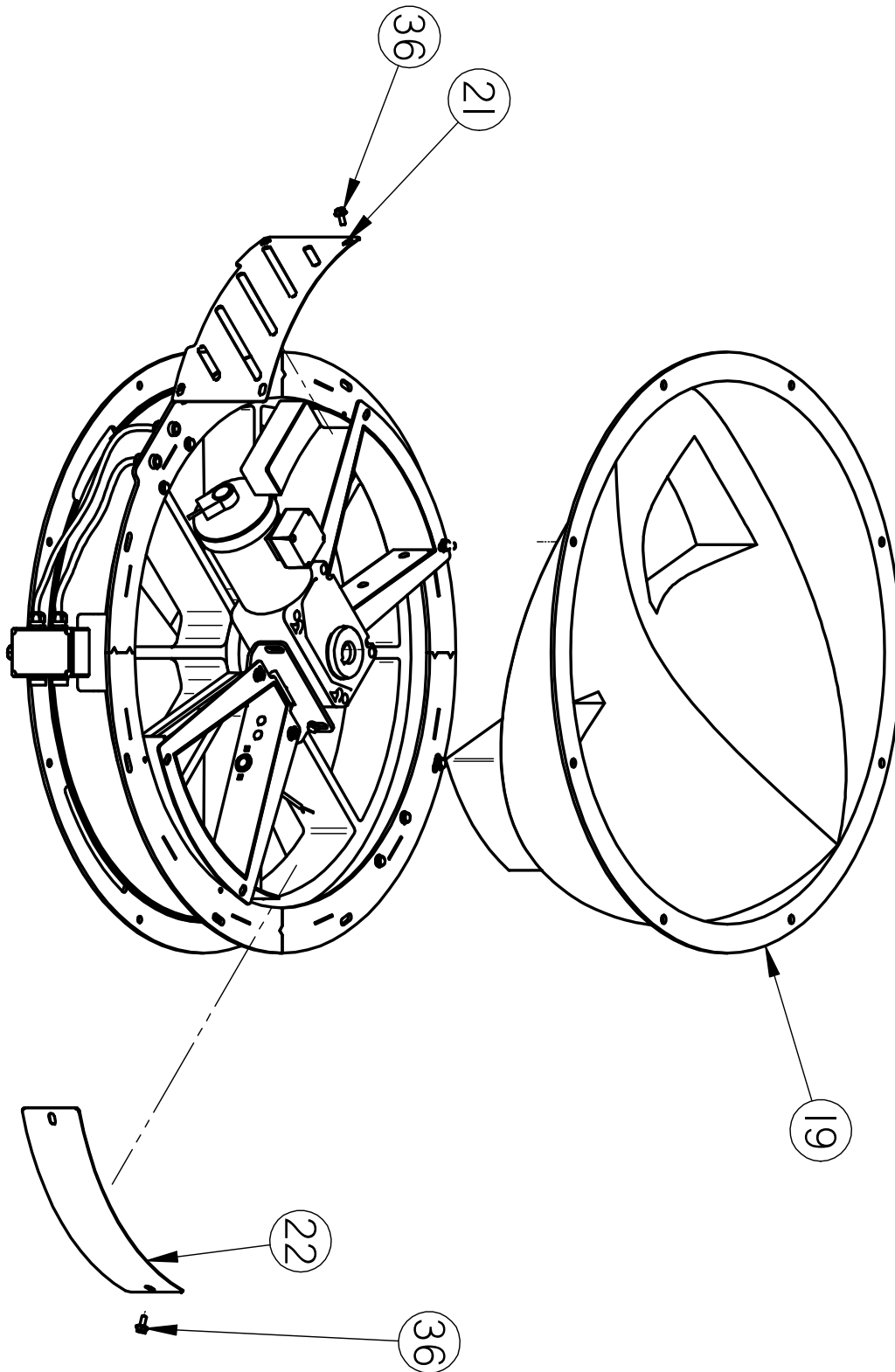


LPX Seed Wheel Assembly

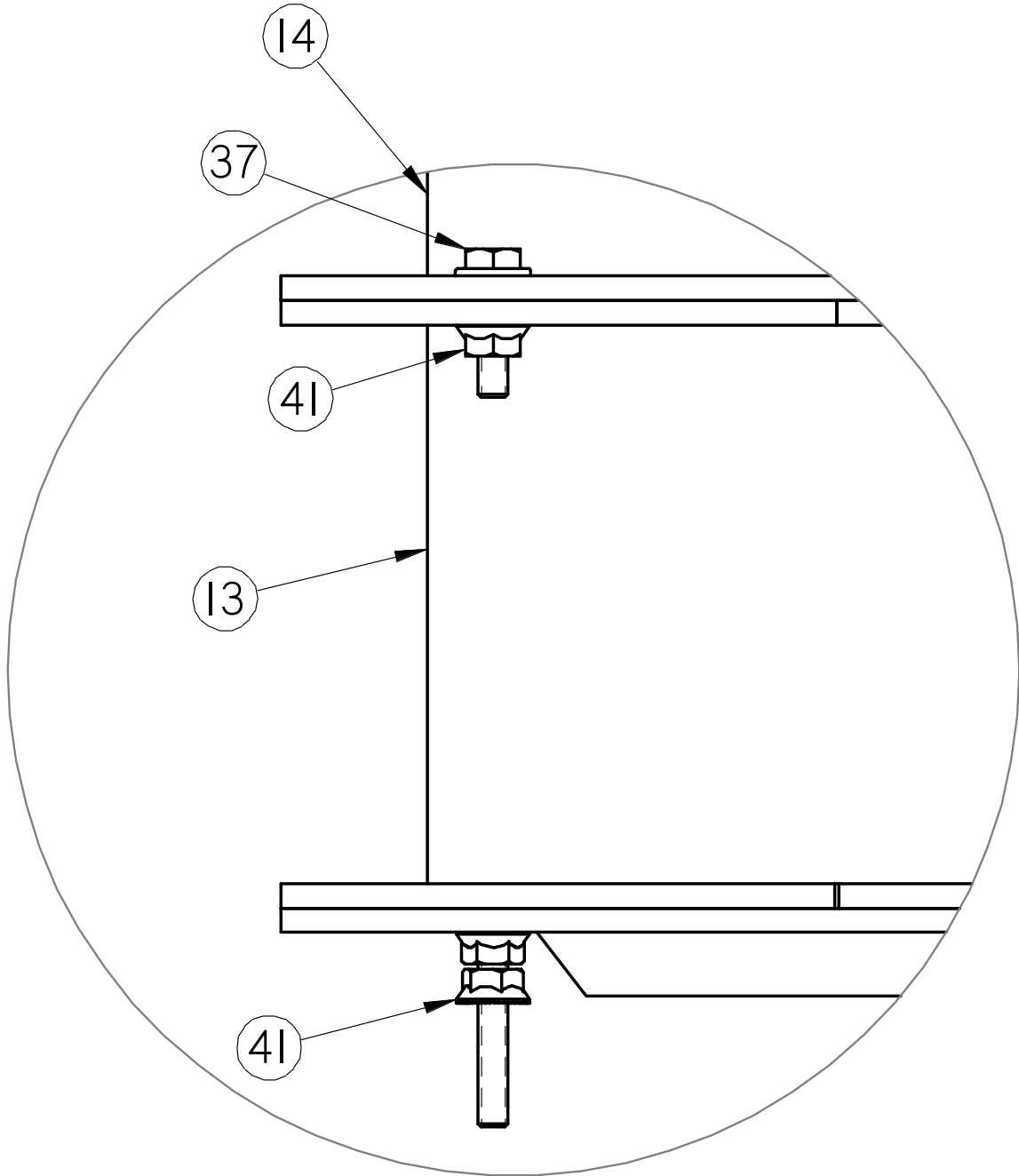


DETAIL A

LPX Seed Wheel Assembly



LPX Seed Wheel Assembly



DETAIL C

LPX AUTOMATED SEED TREATER

LPX Seed Wheel Assembly Parts List

<u>Item Number</u>	<u>USC Part Number</u>	<u>Description</u>	<u>Quantity</u>
3	01-01-0096	GMTR RA .50 HP 11RPM 3PH HLLW SHAFT	1
4	03-05-0042	TMNL BARRIER STRIP IDEAL 89-608	1
5	03-06-0039	RECP 4PL ML PIN HBMS04501	1
6	03-06-0059	RECP 8PL ML PIN HBMS08501	1
7	03-07-0063	CORD 4COND 16AWG SHLD V16016 ALPHA	1
8	03-08-0134	LPCG503 ARLINGTON 1/2NPT RANGE:.100/.300	1
9	03-08-0138	CONN CG PLAS 0.5NPT .375-.750	5
10	03-10-0051	SENS PROX 24-240 AC AB 875CPG8N18A2	2
11	03-10-0086	RTRY PULSE GEN PU-40E WITH CBL	1
12	03-11-0081	ENCL 4.5X3X2 POLY HOF Q1286PCD	1
13	05-03-0164	WDMT SEED METER BODY EXTEN	1
14	05-03-0169	WDMT SEED METER EXTENSION	1
15*	05-03-0232	WDMT SMW UPPER BRG BRKT	1
16	05-03-0240	WDMT SMW BRSH PCKT	2
17*	05-04-0049	WDMT SEED WHEEL SHAFT NUT	1
18	05-07-0196	MOLDED SEED WHEEL INSERT	1
19	05-07-0197	HPPR SMW DUAL DSCHG ROTO-MLDD	1
20	05-07-0203	MOLDED SEED WHEEL INSERT TOP	1
21	05-10-0890	CVR #1 SEED METER	2
22	05-10-0891	CVR #2 SEED METER	2
23	05-10-0893	PLATE SUPPORT SEED METER STEEL	1
24	05-10-1213	SUPP BTM BRG UHMW SEED METER	1
25	05-10-1306	PAD SEED WHL FOAM RBRR FLOATING	1
26	05-10-1392	BRKT SMW BRSH PCKT HLDR	2
27	05-10-1426	14GA WEAR SPLATE HALF	2
28	05-10-1449	PLT SMW CTR HUB WIPER	2
29	05-10-1588	PLT SHAFT CLIP SMW	1
30	5/10/2166	CVR TEST	2

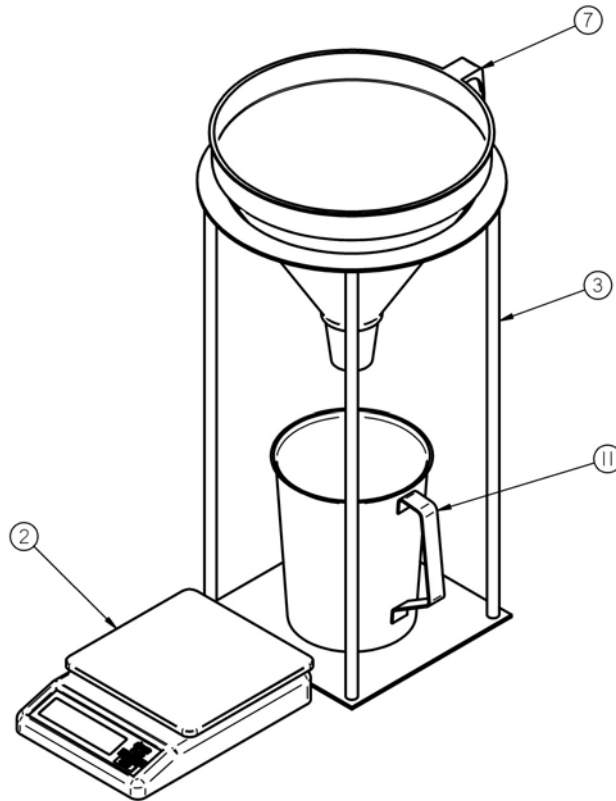
LPX AUTOMATED SEED TREATER

LPX Seed Wheel Assembly Parts List

<u>Item Number</u>	<u>USC Part Number</u>	<u>Description</u>	<u>Quantity</u>
31	5/10/3316	SMW PROX SW HOLDER	2
32	05-11-0075	DRIVE SHAFT 1.4375 SHAFT	1
33	06-01-0091	SRCW, PAN HD, 10-32 X 1.25 ZP	1
34	06-01-0106	BOLT .500-13 X 5.50 ZP GR5	1
35	06-01-0122	BOLT, CARRIAGE, .250-20x.75 G5 ZP	18
36	06-01-0124	BOLT, FLG .375-16 UNC ZP GRADE 5; 3/4" LG	18
37	06-01-0189	BOLT, FLG .375-16 UNC ZP GRADE 5; 1-1/4" LG	1
38	06-01-0204	BOLT, FLG .375-16 UNC ZP GRADE 5; 2-1/2" LG	1
39	06-02-0034	NUT 8-32 K-LOCK ZP	1
40	06-03-0013	NUT,LOCK, FLG .250-20 ZP SERRATED	22
41	06-03-0014	NUT LOCK FLG .375-16 ZP GR5	16
42	06-03-0015	NUT LOCK FLG .500-13 ZP GR5	1
43	06-03-0019	NUT LOCK FLG .3125-18 ZP GR5	1
44	06-05-0004	WSHR FLAT .375 ZP	10
45	06-06-0004	SCRW MACH 8-32 X .500 PHLP RDHD ZP	1
46	06-06-0023	SCRW, SELF TAPPING, 10-16 ZP X .750	2
47	06-06-0046	SCRW .313-18 X 2.0 ZP FLAT HD PHLP	1
48	06-06-0070	SCRW MACH .375-16 X 1.50 SH FLHD BO	1
49	06-09-0023	PIN CTTR .188 X 2.00 ZP	1
50	06-10-0019	SEAL BRSH 12.75 OAL 1IN EXP LG	2
51	06-10-0020	12 IN LG BRUSH HOLDER	2
52	06-12-0021	SPCR .192ID X .3125OD X .500 LG ZP	1
53	06-14-0013	.375-16 THD RD CS	3
54	101BC9	PSM SMW GALV RING	1
55	11-13-0004	KEYSTOCK 3/8 X 3/8 CS	1

LPX AUTOMATED SEED TREATER

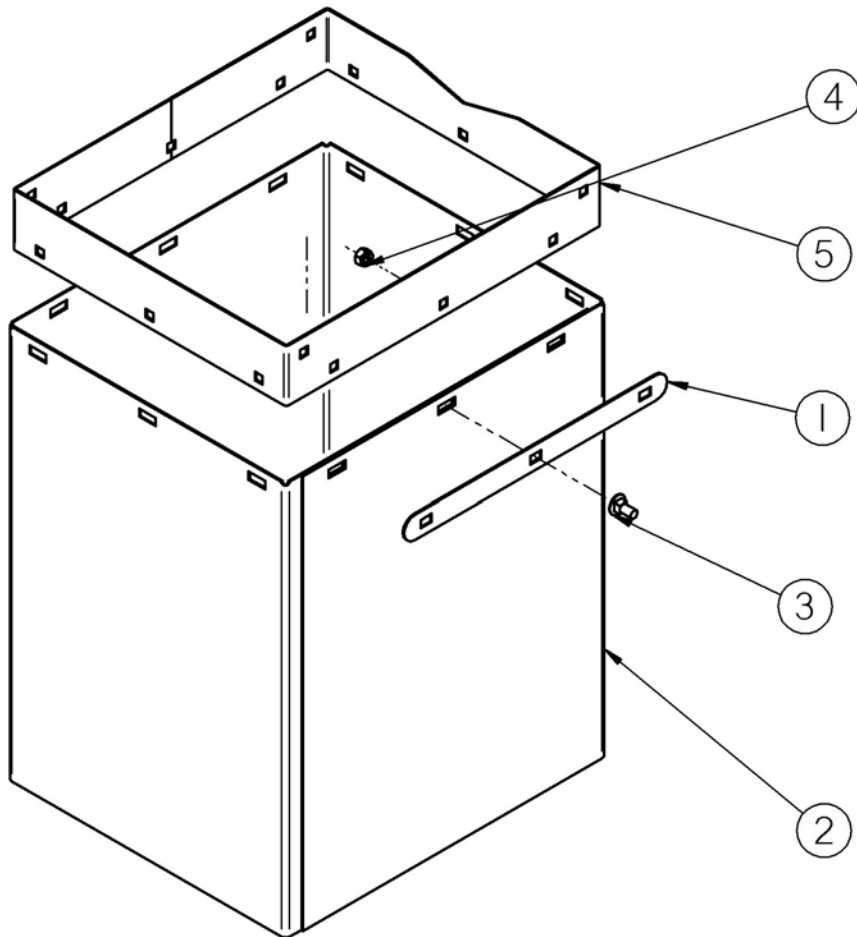
LPX Seed Wheel Accessories & Parts List



<u>Item #</u>	<u>PART #</u>	<u>Title</u>	<u>Qty</u>
1	03-12-0039	PNL CNTL MNL ST SW (LP only)	1
2	03-19-0020	SCL 6.5 X 6.5 10 LBS	1
3	05-03-0248	WDMT CAL CUP FILL FRM	1
4	05-07-0119	LP800 SEED WHEEL FLOW BALANCER	1
5	05-10-1059	SEED WHEEL PANEL MOUNT PLATE	1
6	05-10-2463	SEAL BETWEEN FLANGES SMW TO TRTR	4
7	05-11-0123	FUNNEL SMW CALB CUP FILL	1
8	06-01-0090	SCRW MACH 10-32 X .750 ZP PHLP RND	4
9	06-03-0014	NUT,LOCK, FLG .375-16 ZP SERRATED	8
10	06-05-0017	WSHR FLAT #10 ZP	4
11	07-02-0008	CUP MEASURE 64OZ SS GRADUATED	1
12	13-04-0065	ASSY SEED METER LX2000	1

LPX AUTOMATED SEED TREATER

LPX End Chute & Parts List

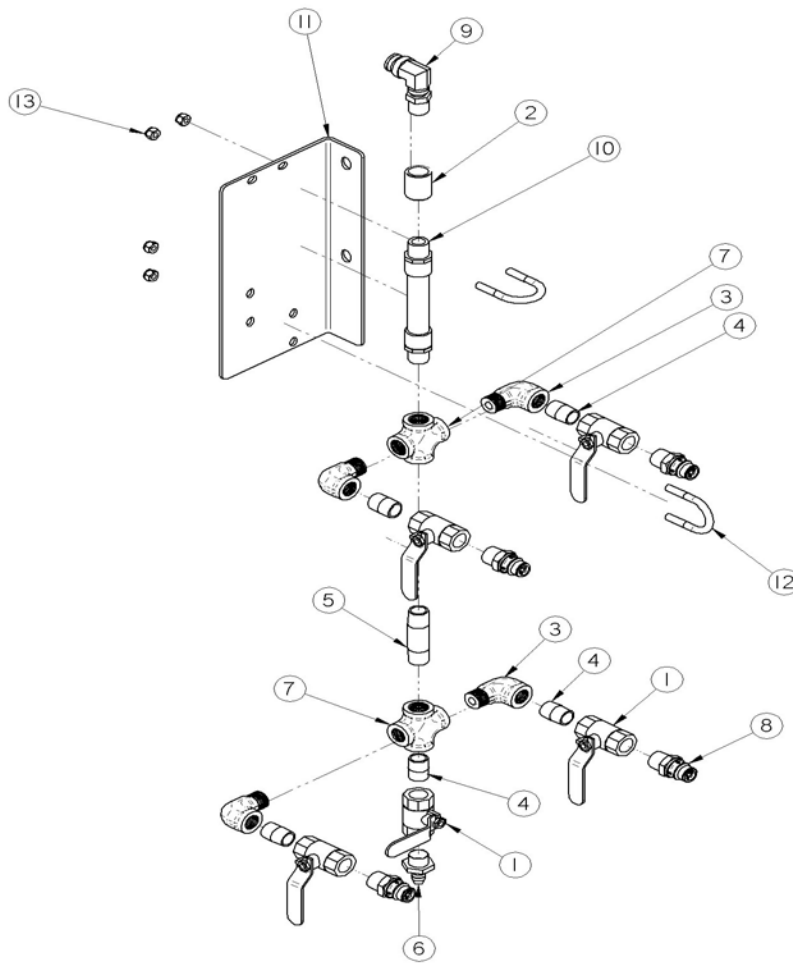


LPX END CHUTE 18-01-0072

Item #	Part #	Title	Qty
1	05-10-3400	PLT DSCHG TRTR	4
2	05-10-3886	SKIRT DSCHG TRTR LPX2000	1
3	06-01-0198	BOLT, CARRIAGE, 5/16-18 X 3/4 UNC ZP GRADE 5	12
4	06-03-0002	NUT NYL LOCK .313-18 ZP GR5	12
5	101FB5	ADPT END CHUTE EXT LPX2000	1

LPX AUTOMATED SEED TREATER

LPX Static Mixer & Parts List

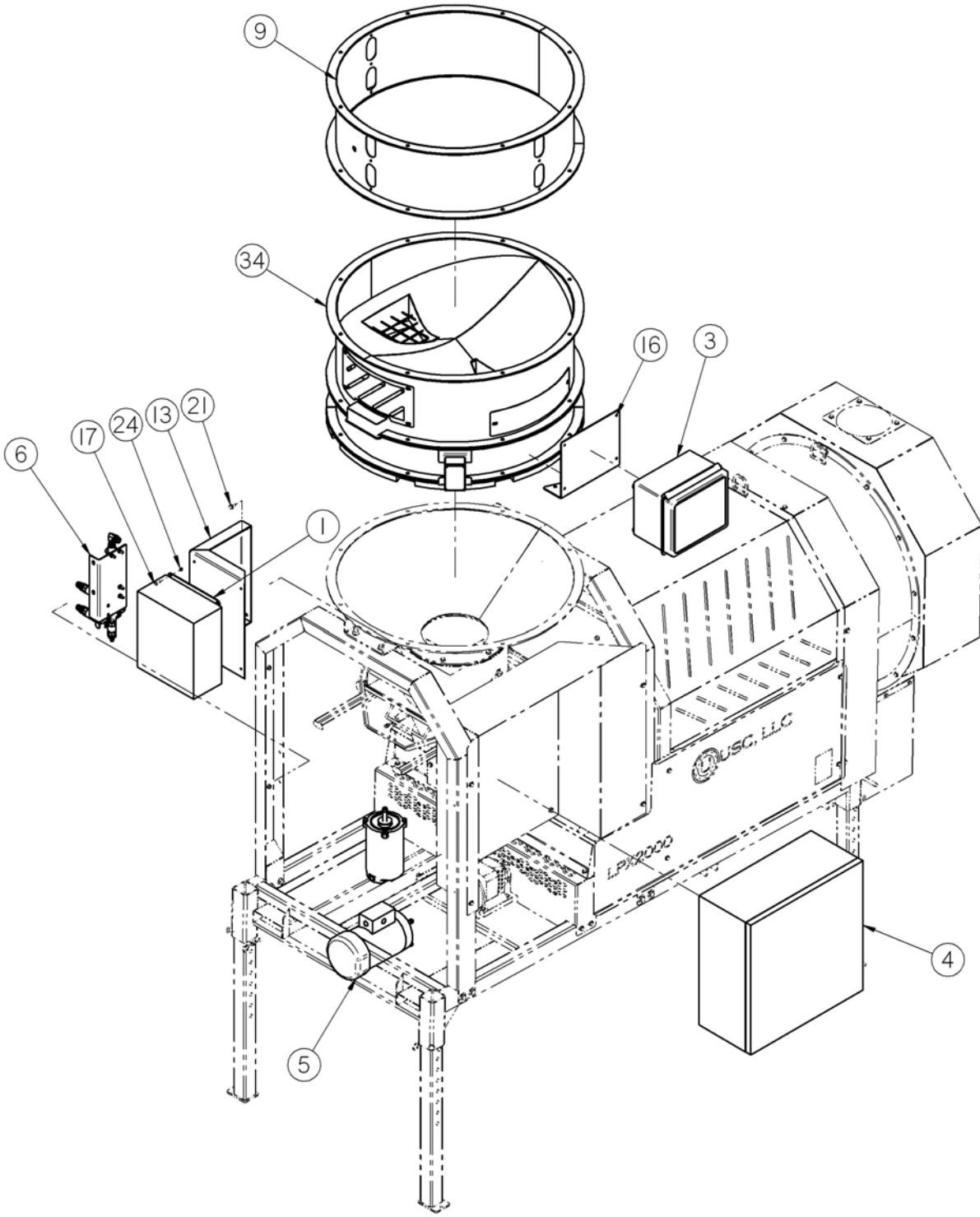


LPX STATIC MIXER 04-03-0157

<u>Item #</u>	<u>PART #</u>	<u>Title</u>	<u>Qty</u>
1	02-02-0006	VLV BALL .500 NPT 2WAY BRSS	5
2	02-05-0005	FTTG CPLG .500 NPT FM SS	1
3	02-06-0020	FTTG 90 DEG STRT .500NPTX .500NPT	4
4	02-07-0007	FTTG NIP .500 NPT X 1.125 TBE SS	5
5	02-07-0019	NIPPLE, .500-14 NPT X 3.0 LG 304SS	1
6	02-08-0007	FTTG STGHT .500HB X .500NPT ML NYL	1
7	02-11-0001	FTTG CROSS .500 NPT FM SS	2
8	02-15-0014	FTTG CPLG .500 NPT QCK DISC INSERT	4
9	02-16-0050	FTTG PUSH 90DEG .625ODX.500 NPT ML	1
10	04-03-0030	MXR IL PVC 6ELEMENT .500PIPE X 7.00	1
11	05-10-2891B	STATIC MIXER & MNFLD MNT BRKT	1
12	06-01-0037	BOLT U .313-18 X 1.38 X 2.188 ZP	2
13	06-03-0002	NUT NYL LOCK .313-18 ZP GR5	4

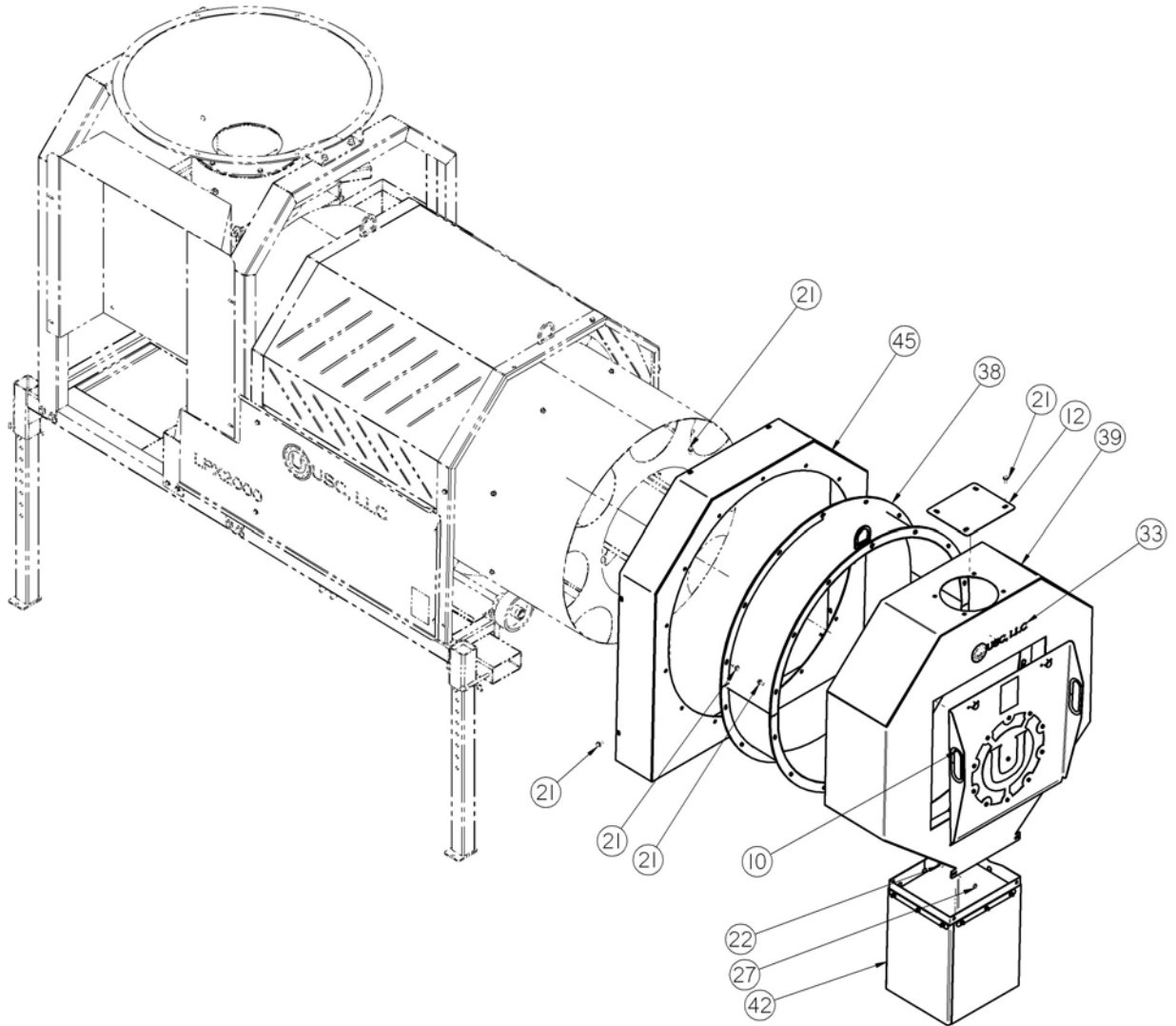
LPX AUTOMATED SEED TREATER

LPX Treater

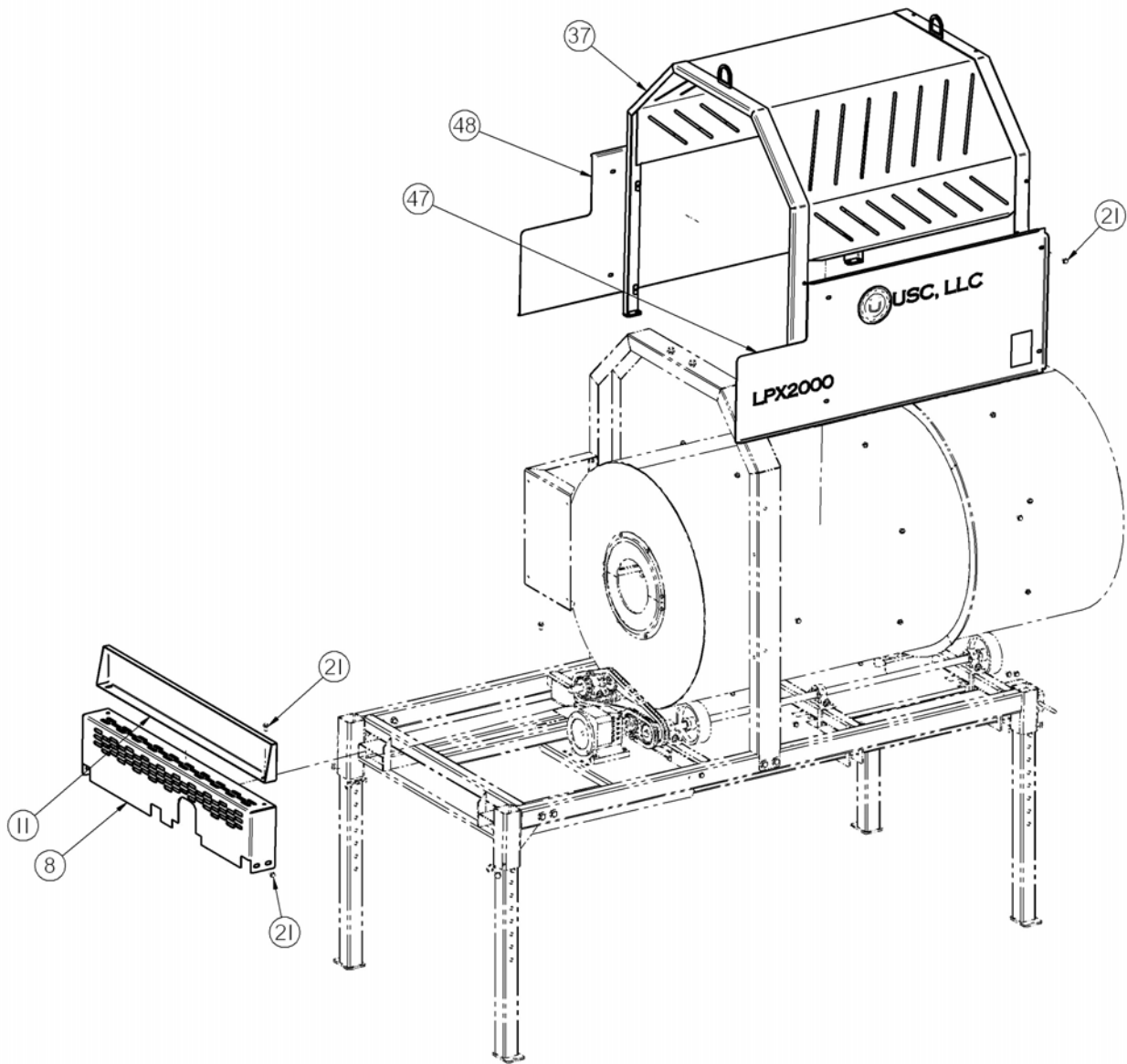


LPX AUTOMATED SEED TREATER

LPX Treater

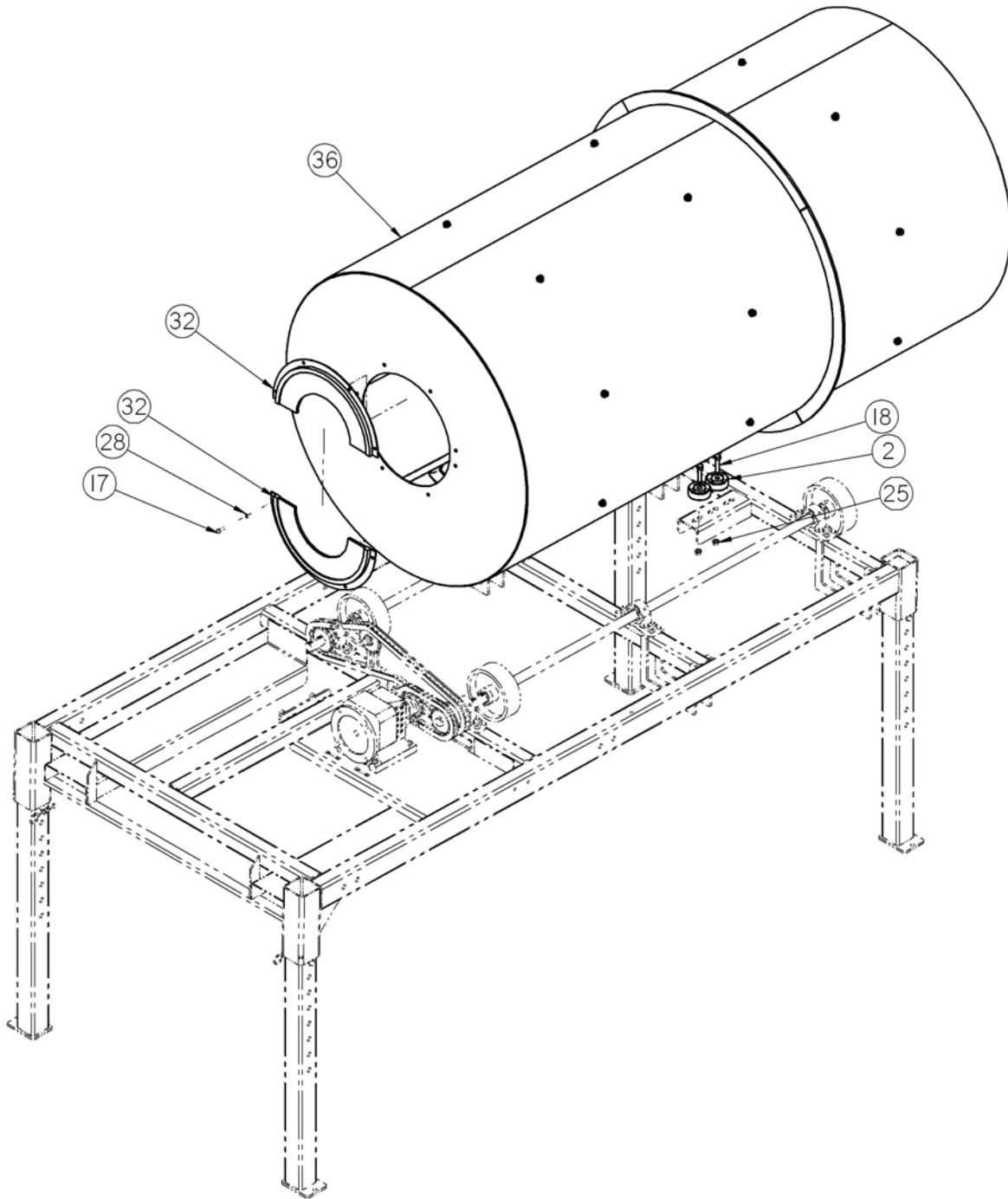


LPX Treater

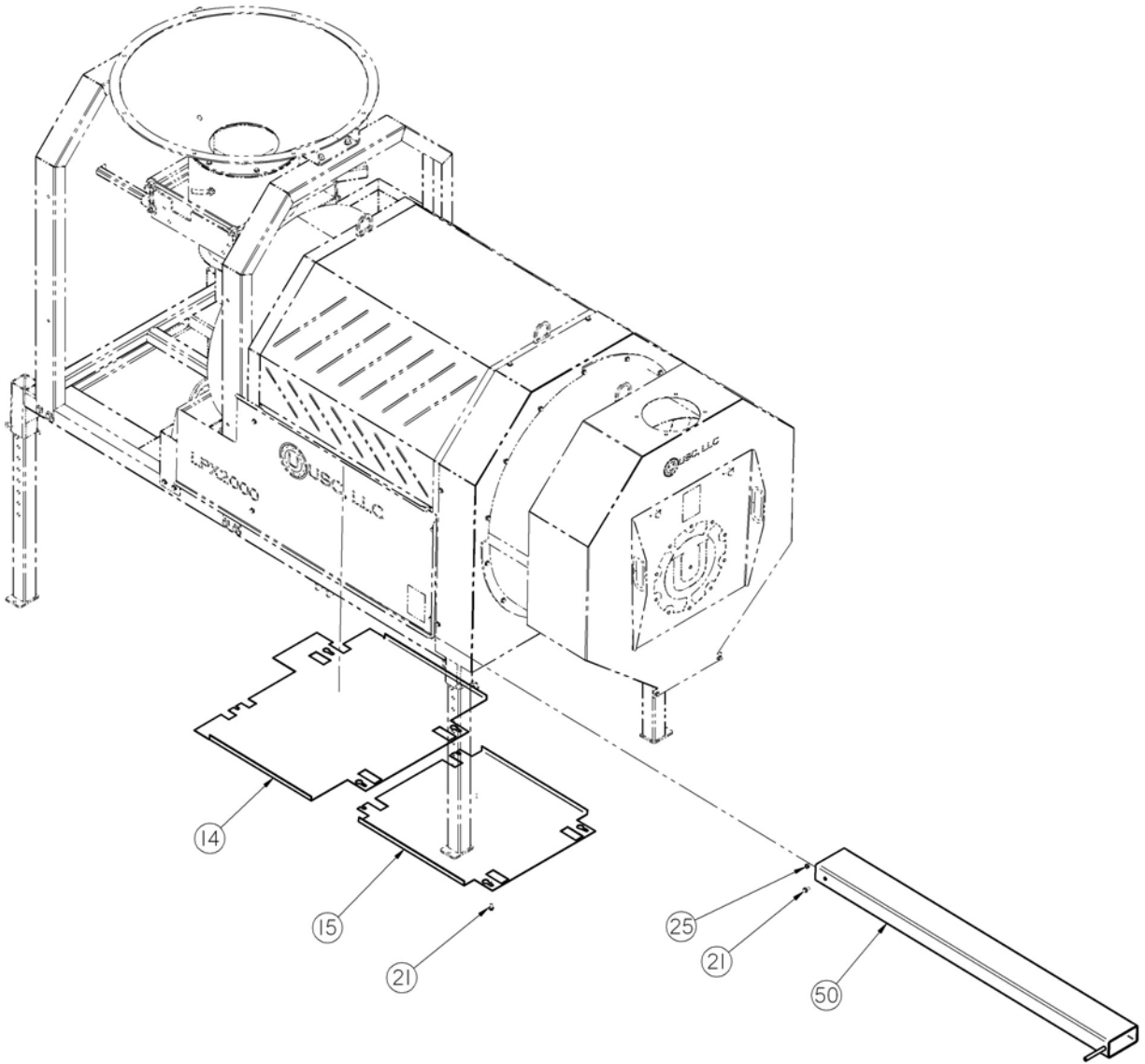


LPX AUTOMATED SEED TREATER

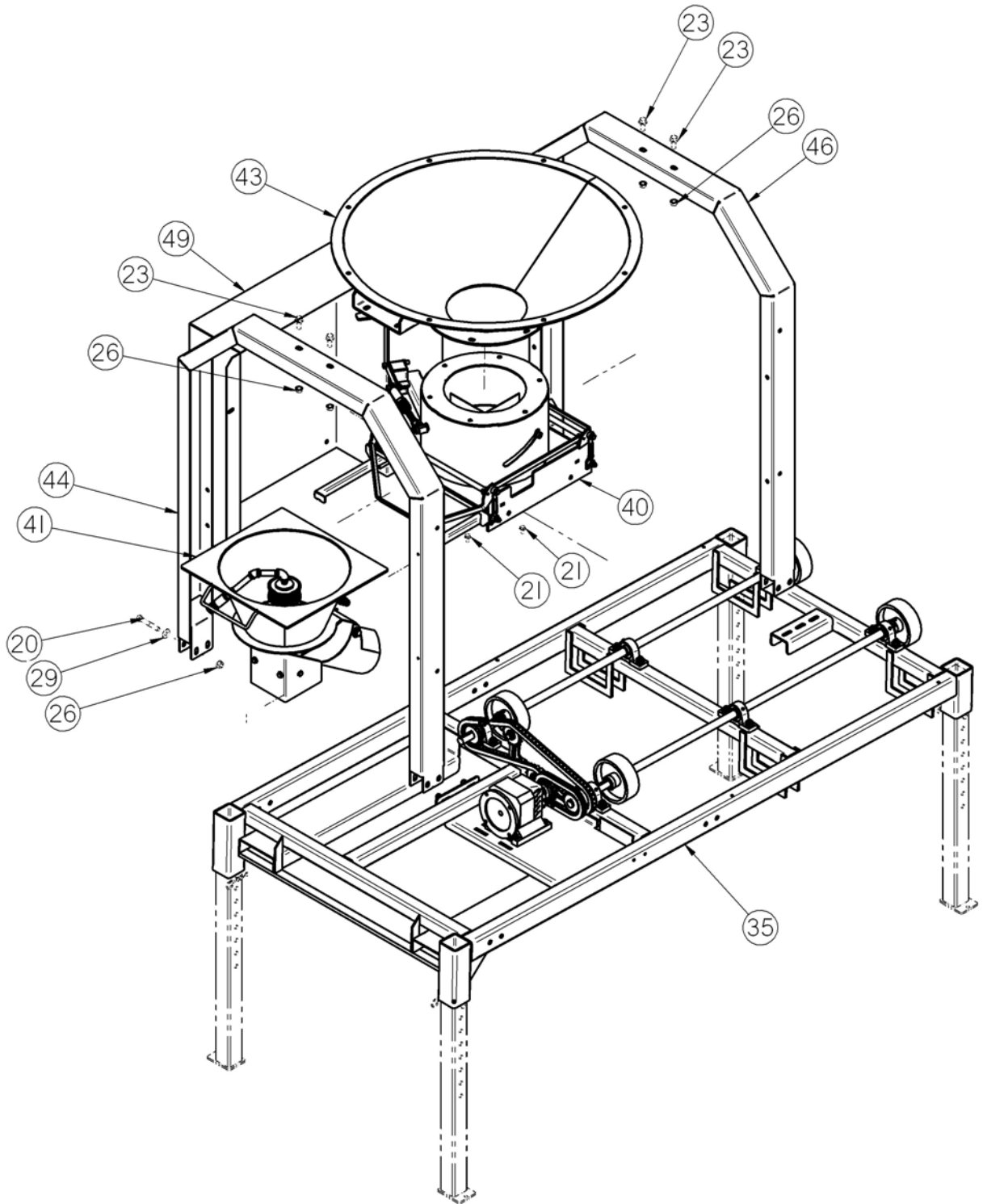
LPX Treater



LPX Treater

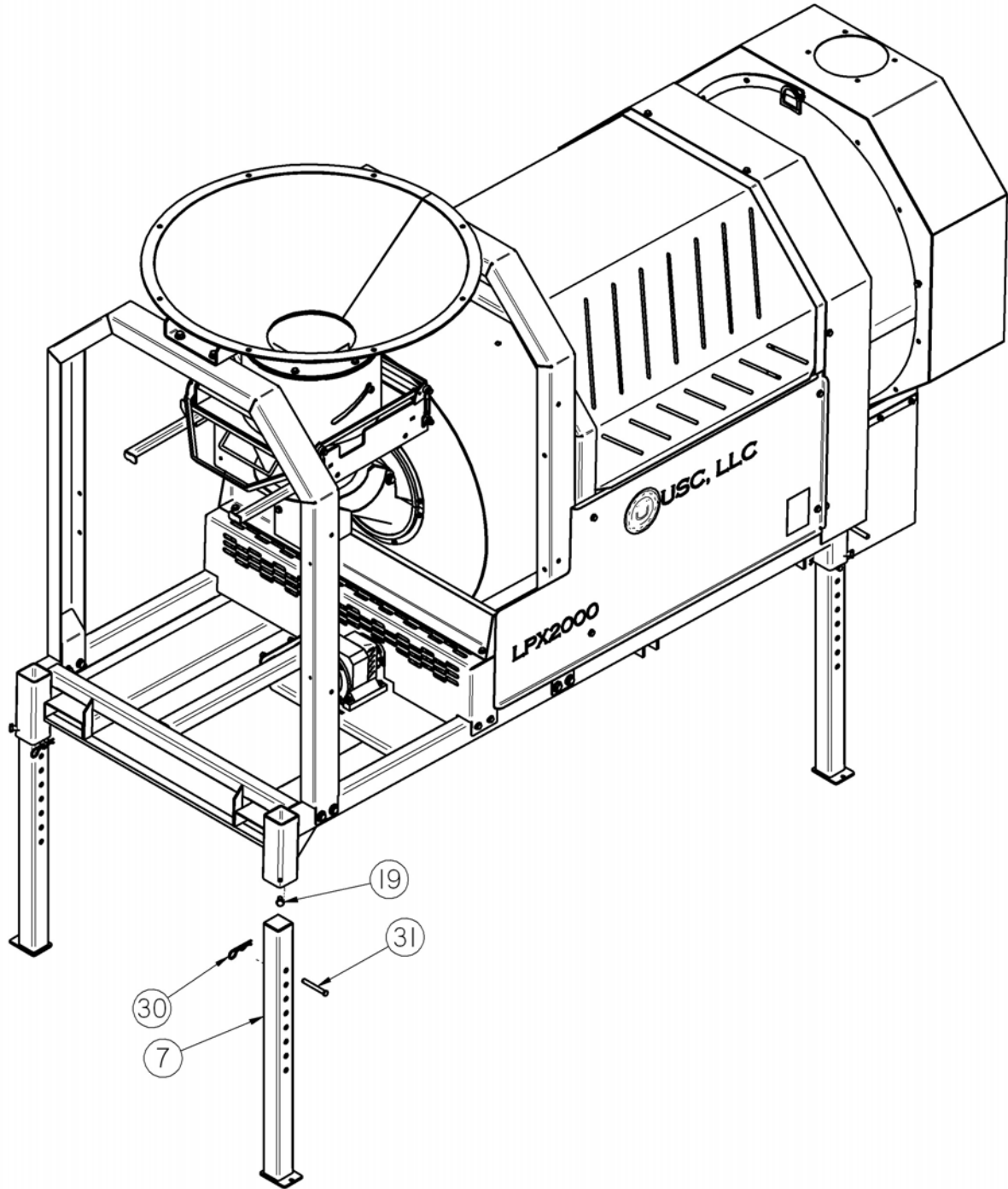


LPX Treater



LPX AUTOMATED SEED TREATER

LPX Treater



LPX AUTOMATED SEED TREATER

LPX Treater Parts List

LPX TREATER		800 - 6 Foot		2000 - 6 Foot	
Item #	Title	Part #	Qty	Part #	Qty
1	CNVR CNTL PANEL	See Table 1a	1	See Table 1a	1
2	WHL GUIDE .375ID X 2.50 X .875 NPRN	01-06-0004	2	01-06-0004	2
3	SMW PANEL	See Table 1b	1	See Table 1b	1
4	TRTR PANEL	See Table 1c	1	See Table 1c	1
5	KIT PWR	See Table 2a	1	See Table 2a	1
6	ASSY STTC MXR & VLVS LPX TRTR	04-03-0157	1	04-03-0157	1
7	WDMT ADJ TREATER LEG	05-05-0001	4	05-05-0001	4
8	WDMT CHAIN GRD LP800/LP2000	05-06-0001	1	05-06-0001	1
9	WDMT INLET HOPP EXT	See Table 3a	1	See Table 3a	1
10	ASSY END CHUTE DOOR GALV	05-07-0198	1	05-07-0198	1
11	GRD DRUM INLET LOWER	05-10-0150	1	05-10-0150	1
12	PLT CVR DISCH CHUTE 1	05-10-3800	1	05-10-3800	1
13	GRD DRUM INLET LPX BOLTED	05-10-3931	1	05-10-3931	1
14	GRD DRUM BTM FRNT HALF LPX	05-10-3950	1	05-10-3950	1
15	GRD DRUM BTM REAR HALF LPX	05-10-3951	1	05-10-3951	1
16	SEED WHEEL PANEL MOUNT PLATE	05-10-3980	1	05-10-3980	1
17	BOLT .250-20 X .750 ZP GR5	06-01-0006	12	06-01-0006	12
18	BOLT .375-16 X 1.75 ZP GR5	06-01-0019	2	06-01-0019	2
19	BOLT .500-13 X .750 ZP GR5	06-01-0024	4	06-01-0024	4
20	BOLT .500-13 X 3.25 ZP GR5	06-01-0029	8	06-01-0029	8
21	BOLT, FLG .375-16 UNC ZP GRADE 5; 3/4" LG	06-01-0124	76	06-01-0124	76
22	BOLT, CARRIAGE, 5/16-18 X 3/4 UNC ZP GRADE 5	06-01-0198	4	06-01-0198	4
23	BOLT FLG .500-13 X 1.250 ZP GR5	06-01-0232	4	06-01-0232	4
24	NUT,LOCK, FLG .250-20 ZP SERRATTED	06-03-0013	4	06-03-0013	4
25	NUT LOCK FLG .375-16 ZP GR5	06-03-0014	12	06-03-0014	12
26	NUT LOCK FLG .500-13 ZP GR5	06-03-0015	12	06-03-0015	12
27	NUT LOCK FLG .3125-18 ZP GR5	06-03-0019	4	06-03-0019	4

LPX AUTOMATED SEED TREATER

LPX Treater Parts List

LPX TREATER		800 - 6 Foot		2000 - 6 Foot	
Item #	Title	Part #	Qty	Part #	Qty
28	WSHR LOCK SPLT .250 ZP	06-04-0001	8	06-04-0001	8
29	WSHR FLAT .500 ZP	06-05-0005	8	06-05-0005	8
30	PIN CLIP HITCH 3.063 SIZE 9 ZP	06-09-0002	4	06-09-0002	4
31	PIN CLVS .500 X 3.50 PLN	06-09-0005	4	06-09-0005	4
32	SEAL BRSH 180 DEG 7.81 OR X 4.00 IR	06-10-0018	2	06-10-0018	2
33	ATWL LBL USC, LLC 3" X 15" PRO-CUT	09-01-0042	1	09-01-0042	1
34	ASSY SEED METER WHL	13-04-0064	1	13-04-0065	1
35	ASSY BASE FR LPX	18-01-0011	1	18-01-0011	1
36	ASSY DRUM LPX2000	18-01-0042	1	18-01-0044	1
36*	ASSY DRUM LPX2000 (Stainless Steel Only)	18-01-0043	1	18-01-0045	1
37	WDMT DRUM GRD LPX	18-01-0050	1	18-01-0050	1
38	WDMT DRUM EXT GRD LPX 6-8-10FT	18-01-0054	1	18-01-0054	1
39	WDMT END CHUTE LPX	18-01-0057	1	18-01-0057	1
39*	WDMT END CHUTE LPX (Stainless Steel Only)	18-01-0125	1	18-01-0125	1
40	ASSY ADJ CHMBR LPX	18-01-0061	1	18-01-0062	1
41	ASSY ATMZR	18-01-0067	1	18-01-0069	1
41*	ASSY ATMZR (Stainless Steel Only)	18-01-0068	1	18-01-0070	1
42	ASSY END CHUTE EXT LPX	18-01-0072	1	18-01-0072	1
43	WDMT INLET HOPP LPX	18-01-0080	1	18-01-0080	1
44	WDMT HEADACHE RACK SHORT	18-01-0081	1	18-01-0081	1
45	WDMT DRUM EXT GRD MNT LPX 6-8-10FT	18-01-0082	1	18-01-0082	1
46	WDMT HEADACHE RACK TALL	18-01-0083	1	18-01-0083	1
47	ASSY GRD DRUM LPX2000 RT GALV	18-01-0091	1	18-01-0091	1
48	ASSY GRD DRUM LPX2000 LT GALV	18-01-0094	1	18-01-0094	1
49	WDMT ENCL MNT LPX	18-01-0097	1	18-01-0097	1
50	WDMT FORKLIFT PCKT EXT	18-01-0106	2	18-01-0106	2

LPX AUTOMATED SEED TREATER

LPX Treater Parts List

LPX TREATER		2000 - 8 Foot		2000 - 10 Foot	
<u>Item #</u>	<u>Title</u>	<u>Part #</u>	<u>Qty</u>	<u>Part #</u>	<u>Qty</u>
1	CNVR CNTL PANEL	See Table 1a	1	See Table 1a	1
2	WHL GUIDE .375ID X 2.50 X .875 NPRN	01-06-0004	2	01-06-0004	2
3	SMW PANEL	See Table 1b	1	See Table 1b	1
4	TRTR PANEL	See Table 1c	1	See Table 1c	1
5	KIT PWR	See Table 2a	1	See Table 2a	1
6	ASSY STTC MXR & VLVS LPX TRTR	04-03-0157	1	04-03-0157	1
7	WDMT ADJ TREATER LEG	05-05-0001	4	05-05-0001	4
8	WDMT CHAIN GRD LP800/LP2000	05-06-0001	1	05-06-0001	1
9	WDMT INLET HOPP EXT	See Table 3a	1	See Table 3a	1
10	ASSY END CHUTE DOOR GALV	05-07-0198	1	05-07-0198	1
11	GRD DRUM INLET LOWER	05-10-0150	1	05-10-0150	1
12	PLT CVR DISCH CHUTE 1	05-10-3800	1	05-10-3800	1
13	GRD DRUM INLET LPX BOLTED	05-10-3931	1	05-10-3931	1
14	GRD DRUM BTM FRNT HALF LPX	05-10-3993	1	05-10-3923	1
15	GRD DRUM BTM REAR HALF LPX	05-10-3994	1	05-10-3924	1
16	SEED WHEEL PANEL MOUNT PLATE	05-10-3980	1	05-10-3980	1
17	BOLT .250-20 X .750 ZP GR5	06-01-0006	12	06-01-0006	12
18	BOLT .375-16 X 1.75 ZP GR5	06-01-0019	2	06-01-0019	2
19	BOLT .500-13 X .750 ZP GR5	06-01-0024	4	06-01-0024	4
20	BOLT .500-13 X 3.25 ZP GR5	06-01-0029	8	06-01-0029	8
21	BOLT, FLG .375-16 UNC ZP GRADE 5; 3/4" LG	06-01-0124	76	06-01-0124	76
22	BOLT, CARRIAGE, 5/16-18 X 3/4 UNC ZP GRADE 5	06-01-0198	4	06-01-0198	4
23	BOLT FLG .500-13 X 1.250 ZP GR5	06-01-0232	4	06-01-0232	4
24	NUT,LOCK, FLG .250-20 ZP SERRATED	06-03-0013	4	06-03-0013	4
25	NUT LOCK FLG .375-16 ZP GR5	06-03-0014	12	06-03-0014	12
26	NUT LOCK FLG .500-13 ZP GR5	06-03-0015	12	06-03-0015	12
27	NUT LOCK FLG .3125-18 ZP GR5	06-03-0019	4	06-03-0019	4

LPX AUTOMATED SEED TREATER

LPX Treater Parts List

LPX TREATER		2000 - 8 Foot		2000 - 10 Foot	
<u>Item #</u>	<u>Title</u>	<u>Part #</u>	<u>Qty</u>	<u>Part #</u>	<u>Qty</u>
28	WSHR LOCK SPLT .250 ZP	06-04-0001	8	06-04-0001	8
29	WSHR FLAT .500 ZP	06-05-0005	8	06-05-0005	8
30	PIN CLIP HITCH 3.063 SIZE 9 ZP	06-09-0002	4	06-09-0002	4
31	PIN CLVS .500 X 3.50 PLN	06-09-0005	4	06-09-0005	4
32	SEAL BRSH 180 DEG 7.81 OR X 4.00 IR	06-10-0018	2	06-10-0018	2
33	ATWL LBL USC, LLC 3" X 15" PRO-CUT	09-01-0042	1	09-01-0042	1
34	ASSY SEED METER WHL	13-04-0065	1	13-04-0065	1
35	ASSY BASE FR LPX	18-01-0012	1	18-01-0013	1
36	ASSY DRUM LPX2000	18-01-0046	1	18-01-0048	1
36*	ASSY DRUM LPX2000 (Stainless Steel Only)	18-01-0047	1	18-01-0049	1
37	WDMT DRUM GRD LPX	18-01-0051	1	18-01-0052	1
38	WDMT DRUM EXT GRD LPX 6-8-10FT	18-01-0054	1	18-01-0054	1
39	WDMT END CHUTE LPX	18-01-0057	1	18-01-0057	1
39*	WDMT END CHUTE LPX (Stainless Steel Only)	18-01-0125	1	18-01-0125	1
40	ASSY ADJ CHMBR LPX	18-01-0062	1	18-01-0062	1
41	ASSY ATMZR	18-01-0069	1	18-01-0069	1
41*	ASSY ATMZR (Stainless Steel Only)	18-01-0070	1	18-01-0070	1
42	ASSY END CHUTE EXT LPX	18-01-0072	1	18-01-0072	1
43	WDMT INLET HOPP LPX	18-01-0080	1	18-01-0080	1
44	WDMT HEADACHE RACK SHORT	18-01-0081	1	18-01-0081	1
45	WDMT DRUM EXT GRD MNT LPX 6-8-10FT	18-01-0082	1	18-01-0082	1
46	WDMT HEADACHE RACK TALL	18-01-0083	1	18-01-0083	1
47	ASSY GRD DRUM LPX2000 RT GALV	18-01-0092	1	18-01-0093	1
48	ASSY GRD DRUM LPX2000 LT GALV	18-01-0095	1	18-01-0096	1
49	WDMT ENCL MNT LPX	18-01-0097	1	18-01-0097	1
50	WDMT FORKLIFT PCKT EXT	18-01-0107	2	NA	

LPX AUTOMATED SEED TREATER

LPX Treater Parts List

<u>Table 1a -> Conveyor Panel</u>
03-12-0152 -> PNL CNVR 230V 1PH 5HP IN 5HP OUT
03-12-0153 -> PNL CNVR 230V 1PH 7.5HP IN 5HP OUT
03-12-0154 -> PNL CNVR 230V 1PH 5HP IN 7.5HP OUT
03-12-0155 -> PNL CNVR 230V 1PH 7.5HP IN 7.5HPOUT
03-12-0156 -> PNL CNVR 230V 3PH 5HP IN 5HP OUT
03-12-0157 -> PNL CNVR 230V 3PH 7.5HP IN 5HP OUT
03-12-0158 -> PNL CNVR 230V 3PH 5HP IN 7.5HP OUT
03-12-0159 -> PNL CNVR 230V 3PH 7.5HP IN 7.5HPOUT
03-12-0160 -> PNL CNVR 460V 3PH 5HP IN 5HP OUT
03-12-0161 -> PNL CNVR 460V 3PH 7.5HP IN 5HP OUT
03-12-0162 -> PNL CNVR 460V 3PH 5HP IN 7.5HP OUT
03-12-0163 -> PNL CNVR 460V 3PH 7.5HP IN 7.5HPOUT
03-12-0164 -> PNL CNVR 575V 3PH 5HP IN 5HP OUT
03-12-0165 -> PNL CNVR 575V 3PH 7.5HP IN 5HP OUT
03-12-0166 -> PNL CNVR 575V 3PH 5HP IN 7.5HP OUT
03-12-0167 -> PNL CNVR 575V 3PH 7.5HP IN 7.5HP OUT

<u>Table 1b -> Seed Wheel Panel</u>
03-12-0172 -> PNL CNTL LPX SMW 230V 1PH
03-12-0173 -> PNL CNTL LPX SMW 230V 3PH
03-12-0174 -> PNL CNTL LPX SMW 460V 3PH
03-12-0175 -> PNL CNTL LPX SMW 575V 3PH
03-12-0176 -> PNL CNTL LPX MNL SMW (This is the 2nd Seed Wheel panel for the manual option only)

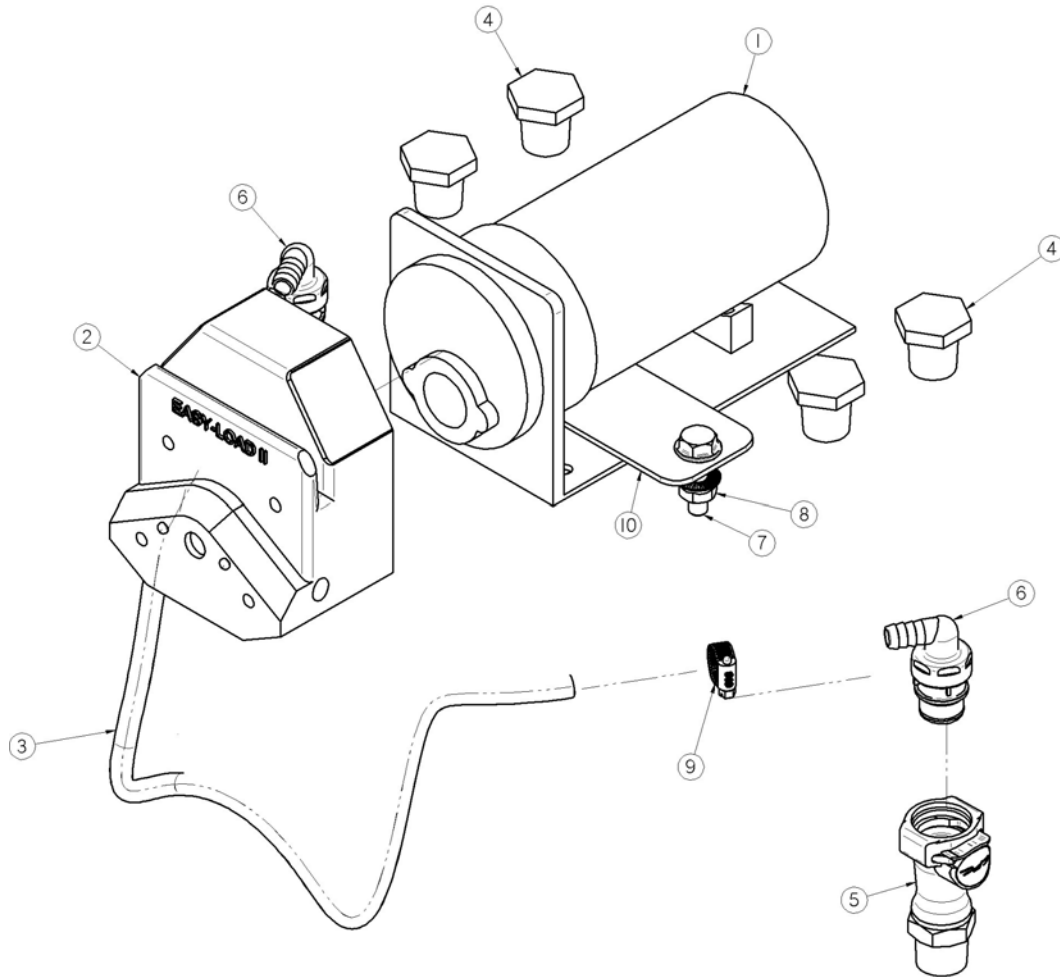
<u>Table 1c -> Treater Panel</u>
03-12-0168 -> PNL CNTL LPX TRTR 230V 1PH
03-12-0169 -> PNL CNTL LPX TRTR 230V 3PH
03-12-0170 -> PNL CNTL LPX TRTR 460V 3PH
03-12-0171 -> PNL CNTL LPX TRTR 575V 3PH

<u>Table 2a -> Power Kits</u>
230V -> 03-20-0011
575V -> 03-20-0017

<u>Table 3a -> Extension Rings</u>
0
6IN CS -> 05-07-0367
12IN CS -> 05-07-0008

LPX AUTOMATED SEED TREATER

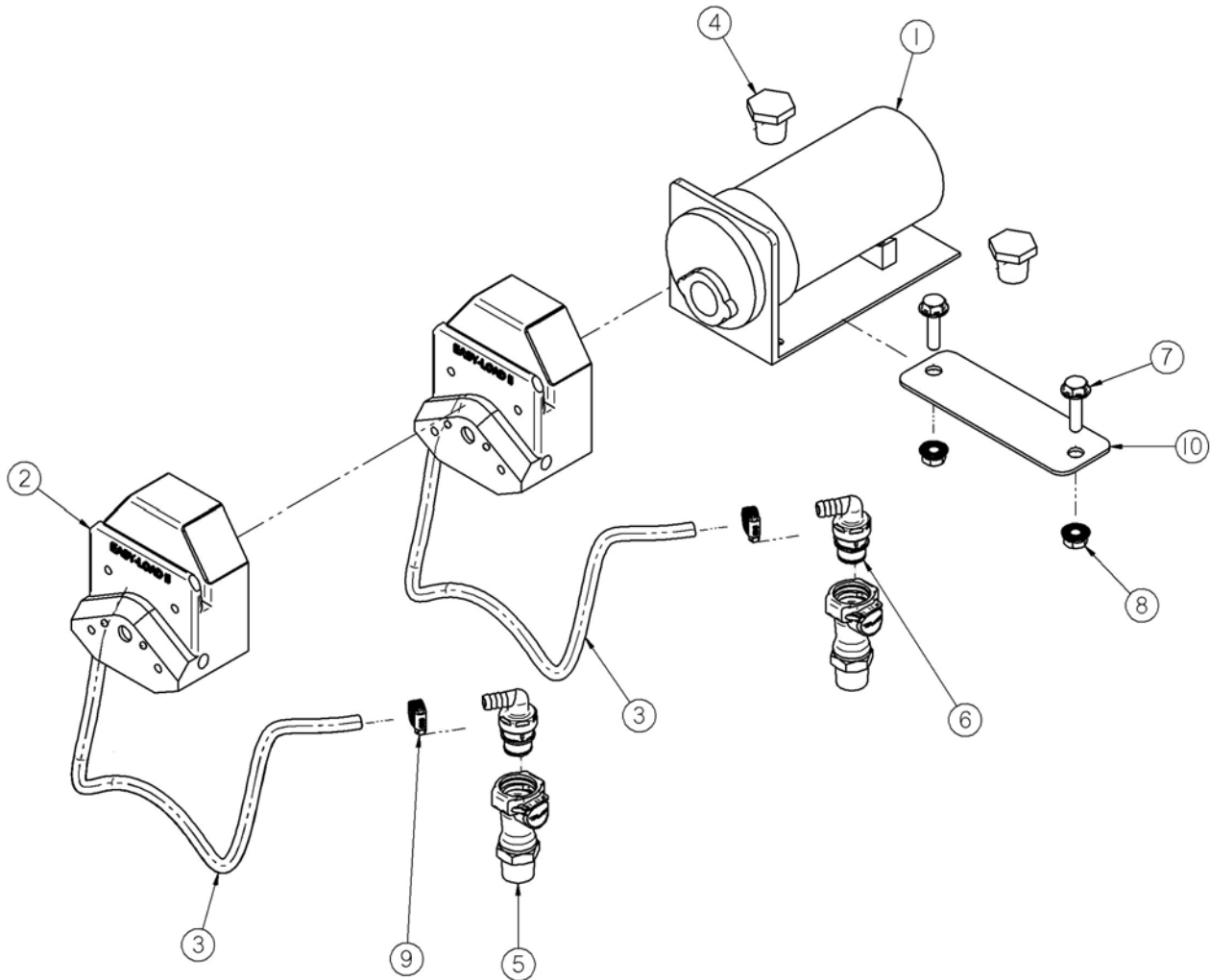
LPX Pump Stand - Single Pump Head & Parts List



SINGLE PUMP HEAD 13-04-0105

<u>Item #</u>	<u>Part #</u>	<u>Title</u>	<u>Qty</u>
1	01-01-0010	MTR .1HP 6-600RPM 90VDC	1
2	02-01-0005	PUMP HEAD PRST MF LS 115V 600RPM	1
3	02-03-0001	TUBE MASTERFLEX PUMPHEAD (28 inches)	4
4	02-14-0002	1/2-14 NPT, PLUG BP	4
5	02-15-0016	FTTG CPLG .500 NPT QCK DISC BODY	2
6	02-15-0022	FTTG CPLG .375 HB X 90 QCK DISC INSERT	2
7	06-01-0189	BOLT, FLG .375-16 UNC ZP GRADE 5; 1-1/4" LG	2
8	06-03-0014	NUT LOCK FLG .375-16 ZP GR5	2
9	06-07-0005	CLMP HOSE .219 TO .625 X .313W ZP	2
10	102276	BRKT PUMP MOUNT PUMPSTD	1

LPX Pump Stand - Dual Pump Head & Parts List

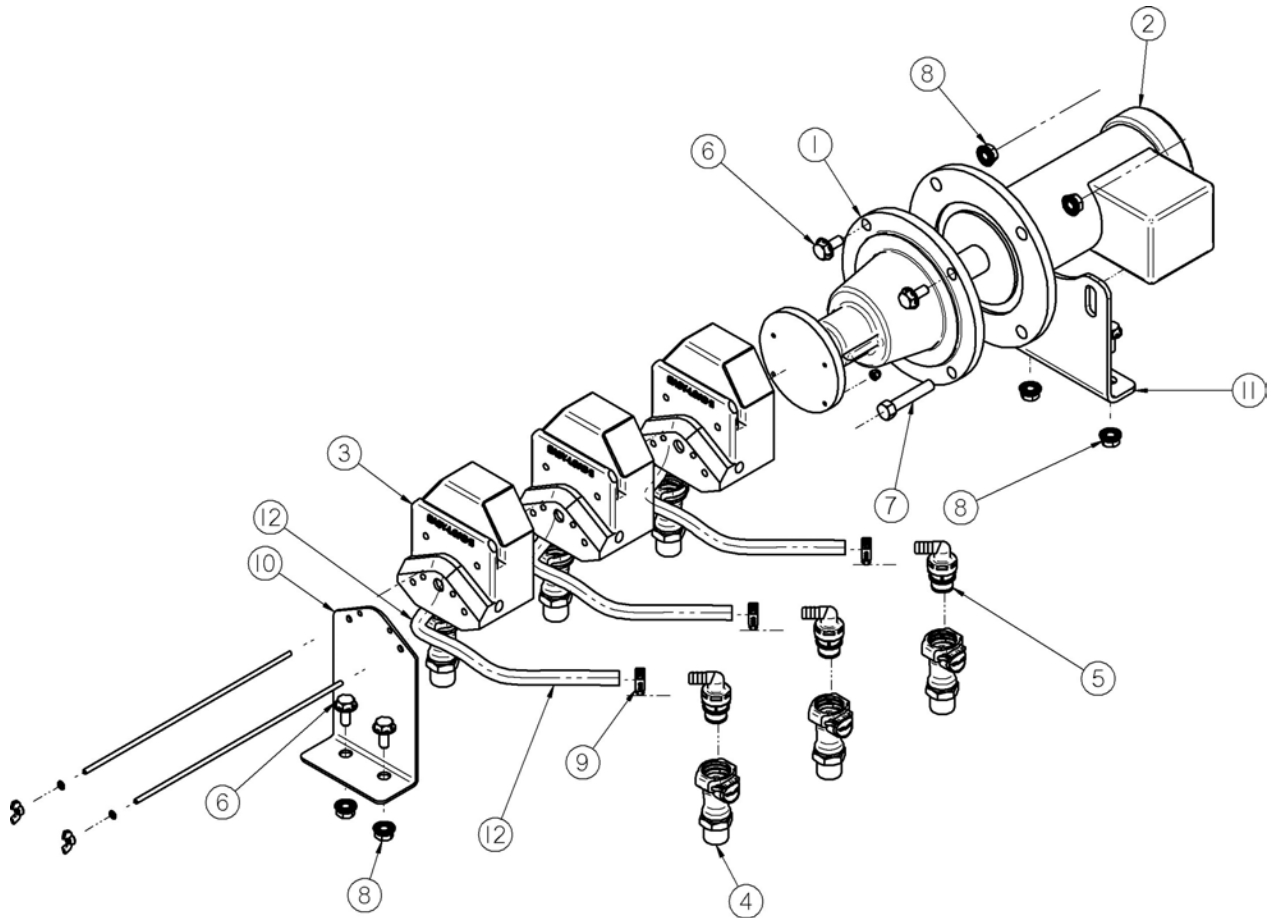


DUAL PUMP HEAD 13-04-0104

<u>Item #</u>	<u>Part #</u>	<u>Title</u>	<u>Qty</u>
1	01-01-0010	MTR .1HP 6-600RPM 90VDC	1
2	02-01-0005	PUMP HEAD PRST MF LS 115V 600RPM	2
3	02-03-0001	TUBE MASTERFLEX PUMPHEAD (28 Inches)	5
4	02-14-0002	1/2-14 NPT, PLUG BP	2
5	02-15-0016	FTTG CPLG .500 NPT QCK DISC BODY	4
6	02-15-0022	FTTG CPLG .375 HB X 90 QCK DISC INSERT	4
7	06-01-0189	BOLT, FLG .375-16 UNC ZP GRADE 5; 1-1/4" LG	2
8	06-03-0014	NUT LOCK FLG .375-16 ZP GR5	2
9	06-07-0005	CLMP HOSE .219 TO .625 X .313W ZP	4
10	102276	BRKT PUMP MOUNT PUMPSTD	1

LPX AUTOMATED SEED TREATER

LPX Pump Stand - Triple Pump Head & Parts List

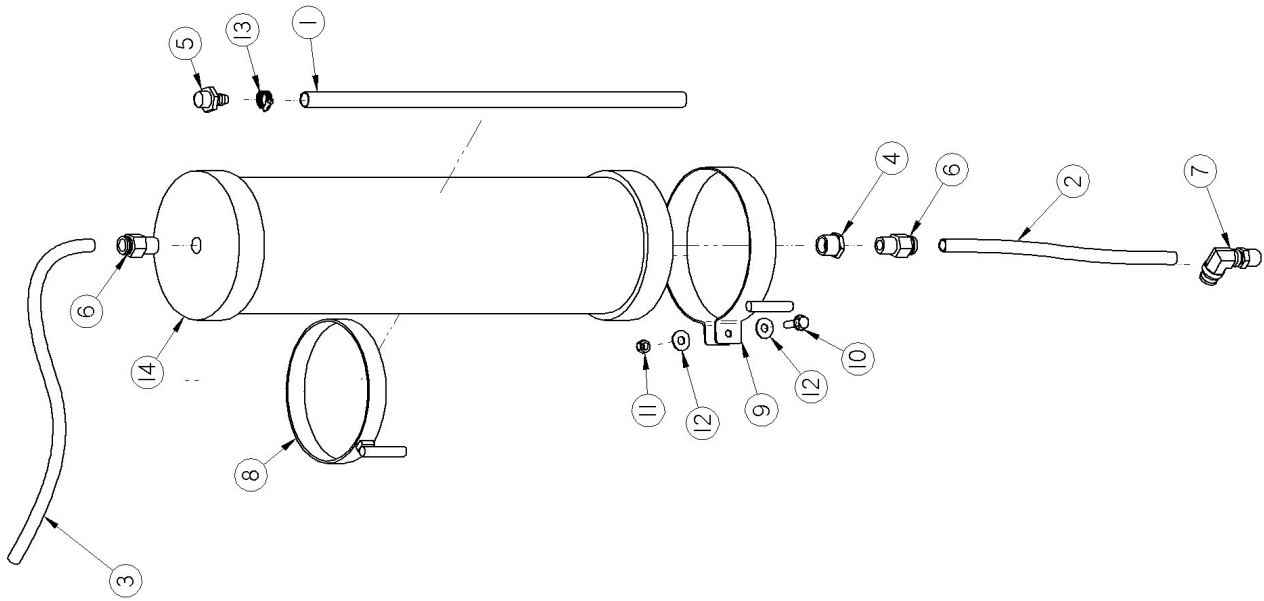


3 PUMP HEAD 13-04-0103

<u>Item #</u>	<u>Part #</u>	<u>Title</u>	<u>Qty</u>
1	01-01-0066	SPEED REDUCER, 3.7 TO 1	1
2	01-01-0160	MTR .25HP 2500 RPM 34 90VDC	1
3	02-01-0005	PUMP HEAD PRST MF LS 115V 600RPM	3
4	02-15-0016	FTTG CPLG .500 NPT QCK DISC BODY	6
5	02-15-0022	FTTG CPLG .375 HB X 90 QCK DISC INSERT	6
6	06-01-0124	BOLT, FLG .375-16 UNC ZP GRADE 5; 3/4" LG	6
7	06-01-0137	BOLT .375-16 X 2.00 ZP GR5 FULL THRD	2
8	06-03-0014	NUT LOCK FLG .375-16 ZP GR5	8
9	06-07-0005	CLMP HOSE .219 TO .625 X .313W ZP	6
10	102213	BRKT 3PUMPHEAD MNT PUMPSTD	1
11	102214	BRKT 3HEAD MOTOR MNT PUMPSTD	1
12	02-03-0001	HOSE MF .375 NPRN BLK - LS35 .31 ID (28 Inches)	6

LPX AUTOMATED SEED TREATER

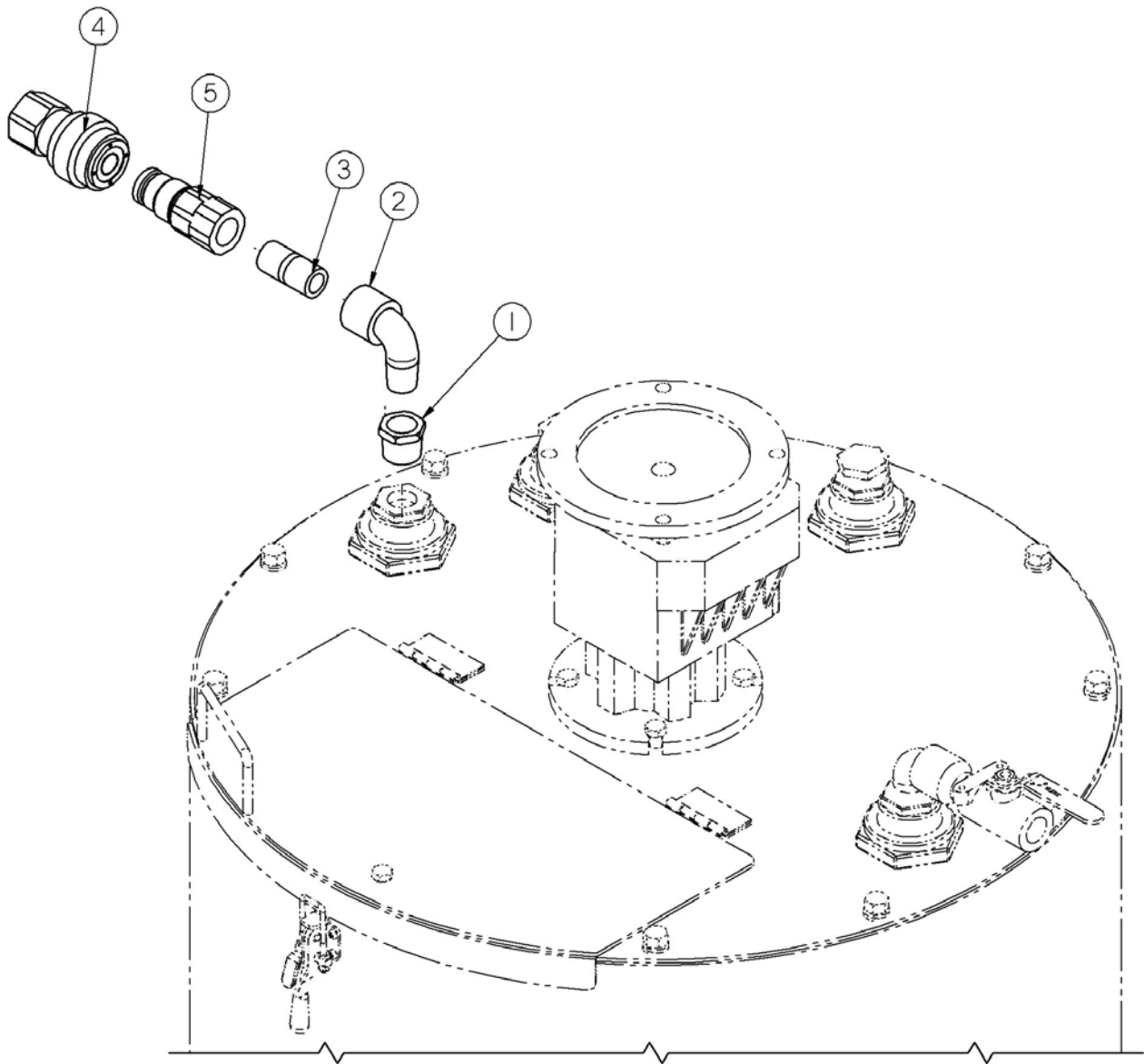
LPX Pump Stand - Calibration Tube & Parts List



CAL TUBE PUMP STAND 13-04-0106

<u>Item #</u>	<u>Part #</u>	<u>Title</u>	<u>Qty</u>
1	02-03-0005	TUBE,CALIBRATION TUBE INSIDE (22.5 Inches)	1
2	02-03-0034	TUBE CAL TUBE TO VLV PUMPSTD (11.25 Inches)	1
3	02-03-0034	TUBE SOL VLV TO CAL TUBE PUMPSTD (28 Inches)	1
4	02-04-0008	BUSHING .750-14 NPT, REDUCER .500-14 NPT	1
5	02-08-0007	FTTG STGHT .500HB X .500NPT ML NYL	1
6	02-16-0028	FTTG PUSH .625OD X .500 NPT ML	2
7	02-16-0050	FTTG PUSH 90DEG .625ODX.500 NPT ML	1
8	05-08-0006	WDMT,INOC.BRK,SM	1
9	05-08-0007	WDMT,BRK,INOC LG	1
10	06-01-0189	BOLT, FLG .375-16 UNC ZP GRADE 5; 1-1/4" LG	1
11	06-03-0003	NUT NYL LOCK .375-16 ZP GR5	1
12	06-05-0004	WSHR FLAT .375 ZP	2
13	06-07-0006	CLMP HOSE .500 TO .906 X .313W ZP	1
14	07-02-0006	CALIBRATION TUBE,10K ML - 2005	1

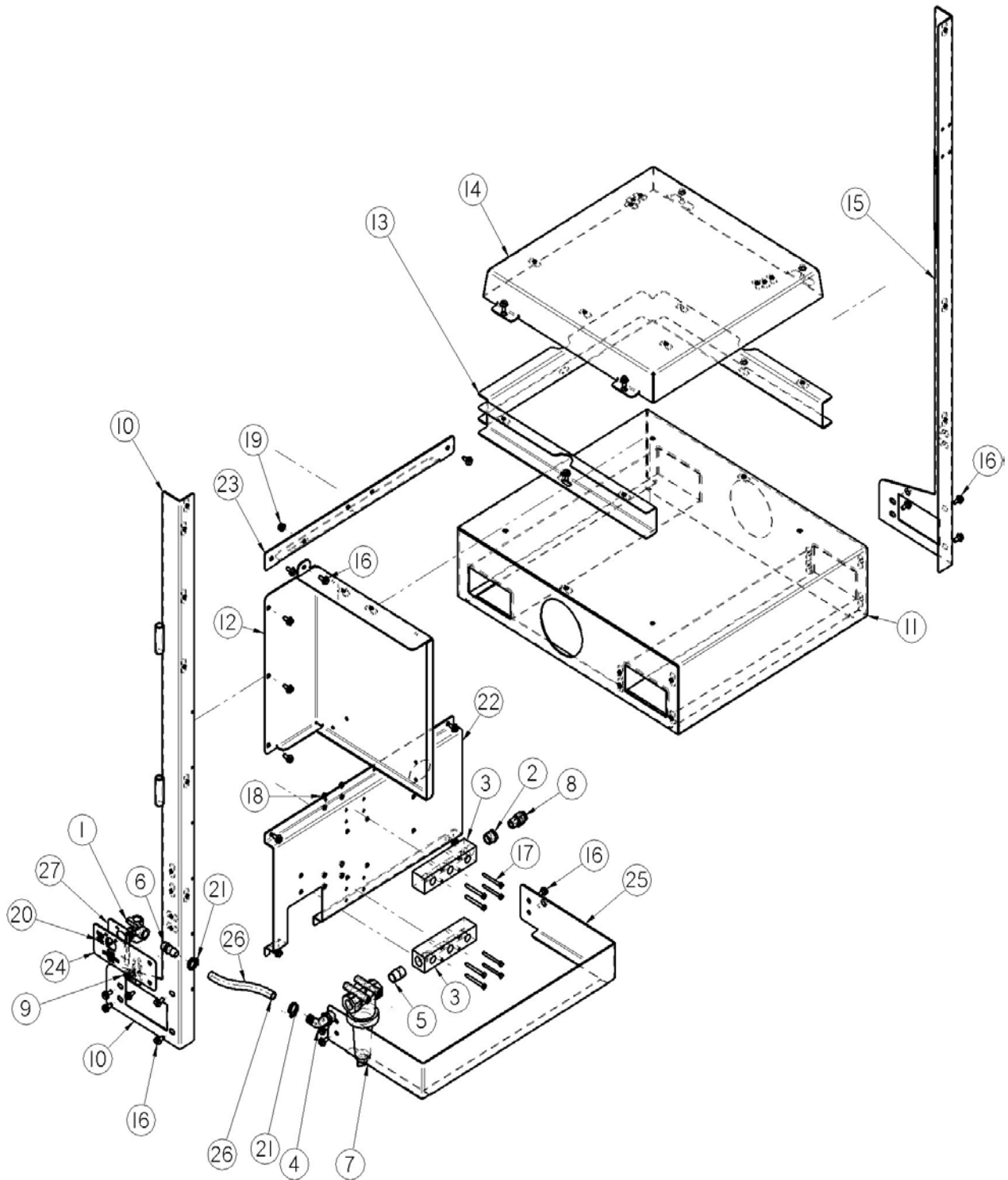
LPX Pump Stand - Dry Lock Fittings & Parts List



DRY LOCK FITTINGS 13-10-0017

<u>Item #</u>	<u>Part #</u>	<u>Title</u>	<u>Qty</u>
1	02-04-0024	BUSH .750-14 NPT .500-14 NPT BP	1
2	02-06-0017	1/2-14 NPT,SL 90 DEG. BP	1
3	02-07-0009	FTTG NIP .500 NPT X 1.75 TBE BLK	1
4	02-15-0035	FTTG CPLG 0.50 NPT FM PARKER POLY	1
5	02-15-0036	FTTG CPLG 0.50 NPT ML PARKER POLY	1

LPX Pump Stand - Base Frame



LPX AUTOMATED SEED TREATER

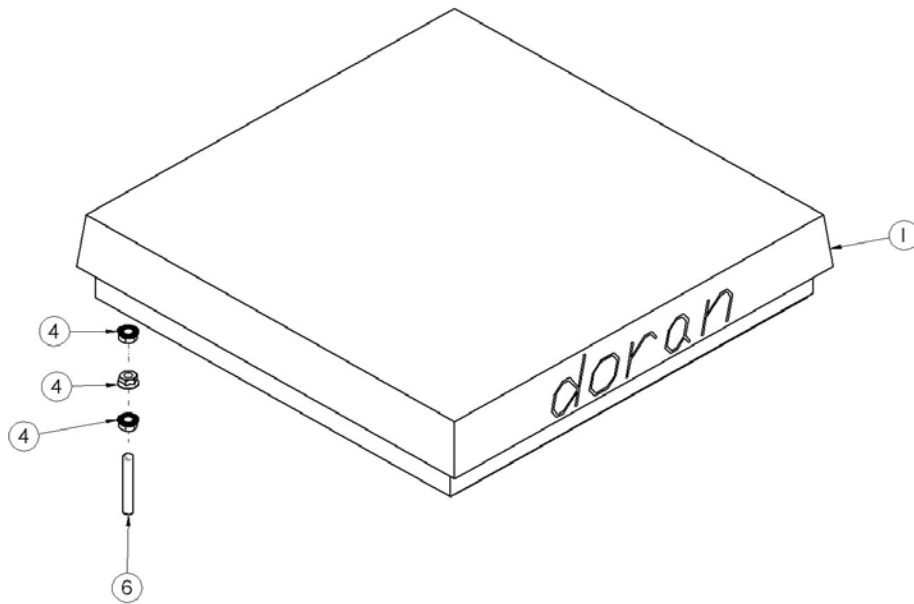
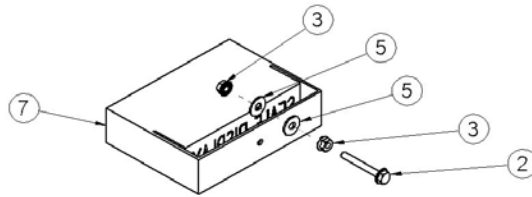
LPX Pump Stand - Base Frame Parts List

LPX PUMP STAND BASE FRAME 05-03-1066

<u>Item #</u>	<u>Part #</u>	<u>Title</u>	<u>Qty</u>
1	02-02-0007	VLV BALL .500 NPT 3WAY BRSS	1
2	02-04-0008	BUSHING .750-14 NPT, REDUCER .500-14 NPT	1
3	02-05-0043	FTTG MANIFOLD UHMW 1 IN 3 OUT	2
4	02-06-0015	BARB, .750-14 NPT X .750 90DEG WP	1
5	02-07-0070	FTTG NIP .750 NPT X 1.50 TBE SS	1
6	02-08-0011	1/2-14 NPT, 3/4 BARB, STRAIGHT BP	1
7	02-12-0011	FLTR TEE PPE .750 NPT 16 MESH BANJO	1
8	02-16-0028	FTTG PUSH .625OD X .500 NPT ML	1
9	02-16-0050	FTTG PUSH 90DEG .625ODX.500 NPT ML	1
10	05-03-1052	WDMT SMALL PUMPSTAND LH UPRIGHT	1
11	05-03-1053	WDMT SMALL PUMPSTAND BASE BOX	1
12	05-03-1064	WDMT PANEL MNT PUMPSTD	1
13	05-03-1072	WDMT SPACER PUMPSTD	1
14	05-03-1073	WDMT SCALE LID PUMPSTD	1
15	05-03-1074	WDMT SMALL PUMPSTAND RH UPRIGHT	1
16	06-01-0124	BOLT, FLG .375-16 UNC ZP GRADE 5; 3/4" LG	31
17	06-01-0192	BOLT .250-20 X 2.50 ZP GR5	8
18	06-03-0013	NUT,LOCK, FLG .250-20 ZP SERRATED	8
19	06-03-0014	NUT LOCK FLG .375-16 ZP GR5	1
20	06-06-0020	SRCW, PAN HD, 10-24 X .500 ZP	2
21	06-07-0007	CLMP HOSE .563 TO 1.06 X .313W ZP	2
22	102200	BRKT PUMP ALL HEADS PUMPSTD	1
23	10220E	PLT XBEAM SUPP VLV PUMPSTD	1
24	102290	PLT LABEL SOURCE PUMPSTD	1
25	1022AA	BRKT FORKLIFT GUARD PUMPSTD	1
26	1022AB	1022AB 02-03-0006 8.25IN LONG	1
27	1022AC	PLT SPACER VLV SOURCE MOUNT	1

LPX AUTOMATED SEED TREATER

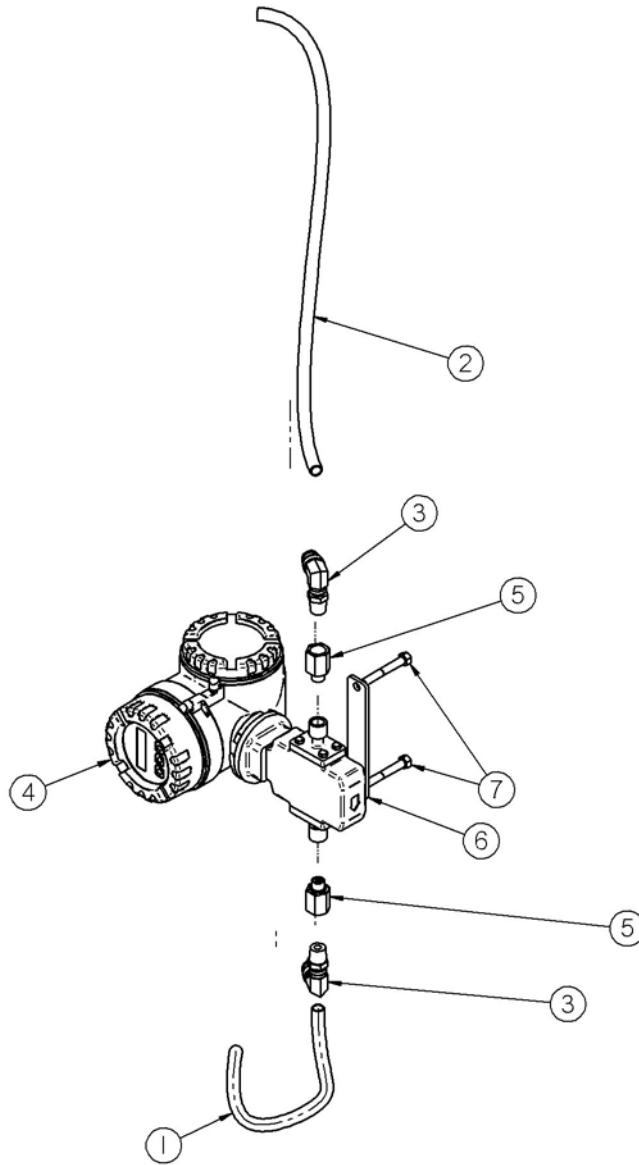
LPX Pump Stand - Scale Assembly & Parts List



LPX SCALE ASSY 05-03-1069

<u>Item #</u>	<u>Part #</u>	<u>Title</u>	<u>Qty</u>
1	03-19-0028	SCL, 24' X 24" 1000 LB BASE	1
2	06-01-0204	BOLT, FLG .375-16 UNC ZP GRADE 5; 2-1/2" LG	1
3	06-03-0014	NUT LOCK FLG .375-16 ZP GR5	2
4	06-03-0015	NUT LOCK FLG .500-13 ZP GR5	12
5	06-05-0004	WSHR FLAT .375 ZP	2
6	06-14-0018	.500-13 THD RD CS 3IN LONG	4
7	PART OF 03-19-0028	SCALE DISPLAY	1

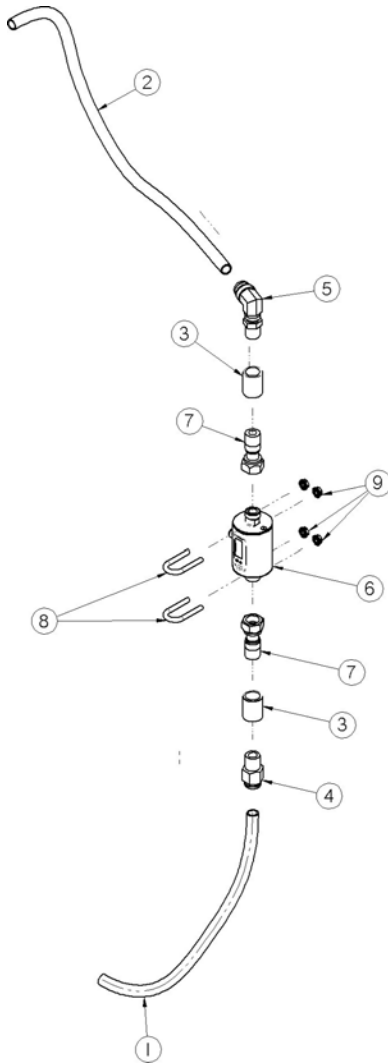
LPX Pump Stand - Mass Flow Meter & Parts List



MASS FLOW METER 05-03-1067

<u>Item #</u>	<u>Part #</u>	<u>Title</u>	<u>Qty</u>
1	02-03-0034	TUBE MANIFOLD TO FLOWMETER (14.75 Inches)	1
2	02-03-0034	TUBE FLOWMETER TO SOLENOID VALVE (20 Inches)	1
3	02-16-0050	FTTG PUSH 90DEG .625ODX.500 NPT ML	2
4	03-18-0019	FLMT PROMASS 83E08 DN8 3/8IN	1
5	03-18-0021	FTTG ADPTR 1/2" VCO X 1/2" FPT E+H	2
6	05-10-3413	BRACKET FLMT CLAMP E&H 83E	1
7	06-01-0116	BOLT .375-16 X 2.75 ZP GR5	2

LPX Pump Stand - Volumetric Flow Meter & Parts List

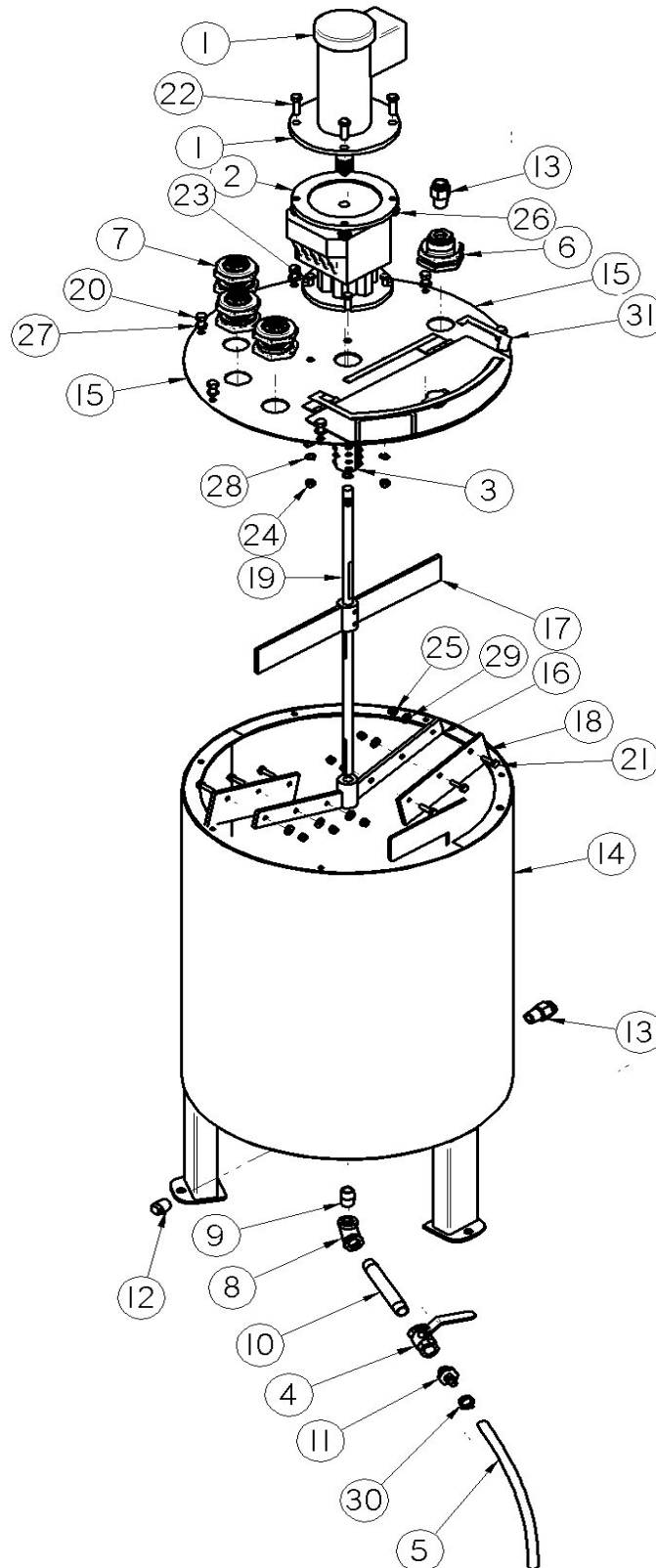


VOLUMETRIC FLOW METER 05-03-1068

<u>Item #</u>	<u>Part #</u>	<u>Title</u>	<u>Qty</u>
1	02-03-0034	TUBE MANIFOLD TO FLOWMETER (31 Inches)	1
2	02-03-0034	TUBE FLOWMETER TO AUTO VLV (22 Inches)	1
3	02-05-0005	FTTG CPLG .500 NPT FM SS	2
4	02-16-0028	FTTG PUSH .625OD X .500 NPT ML	1
5	02-16-0050	FTTG PUSH 90DEG .625ODX.500 NPT ML	1
6	03-18-0018	FLMT IFM EFECTOR SM6001 1/2 IN	1
7	03-18-0020	FTTG ADPTR G1/2 TO 1/2NPT ML IFM	2
8	06-01-0199	BOLT U .313-18 X 1.00 X .375 ZP GR5	2
9	06-03-0013	NUT,LOCK, FLG .250-20 ZP SERRATTED	4

LPX AUTOMATED SEED TREATER

LPX Pump Stand - 30 Gallon Stainless Steel Tank



LPX AUTOMATED SEED TREATER

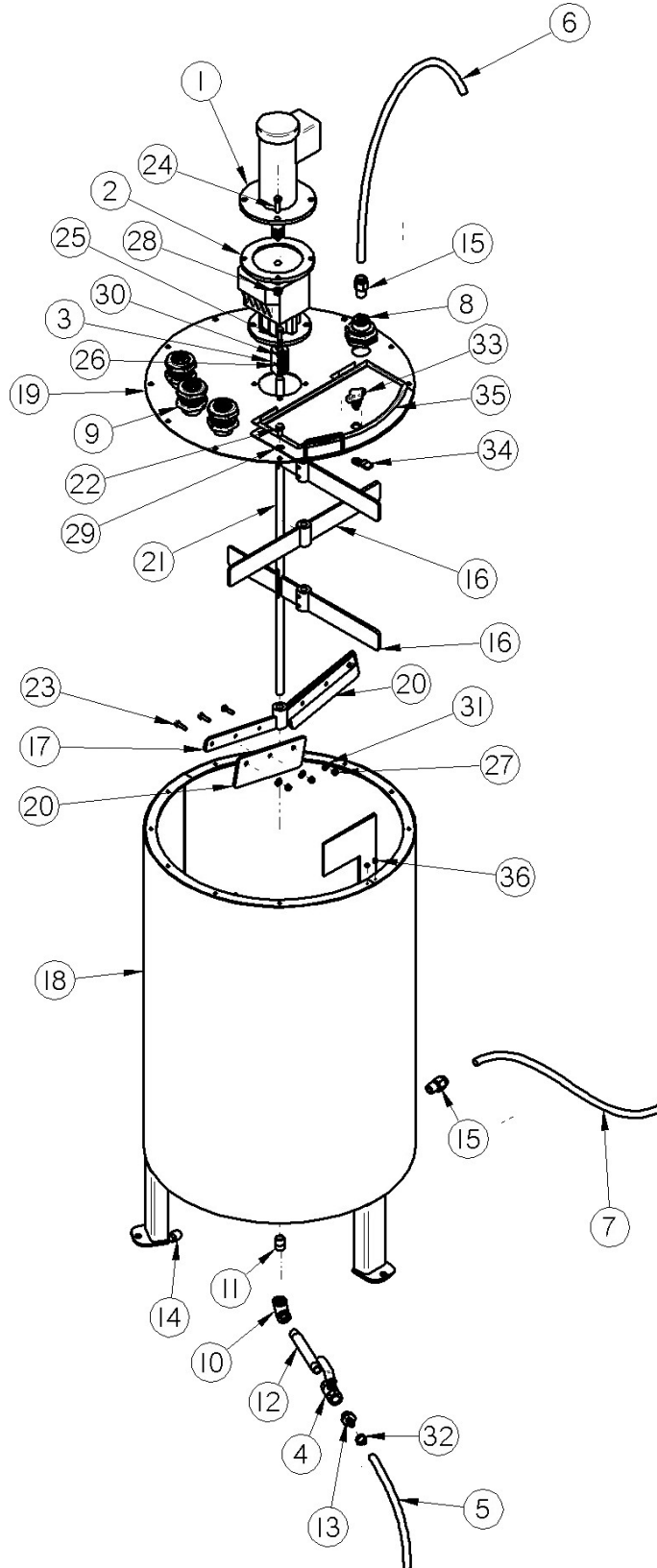
LPX Pump Stand - 30 Gallon Stainless Steel Tank Parts List

30 GAL STAINLESS STEEL PUMP STAND 04-03-0159

<u>Item #</u>	<u>Part #</u>	<u>Title</u>	<u>Qty</u>
1	01-01-0007	MTR .25HP 1725RPM 34 90VDC	1
2	01-01-0039	GBOX IL 61.8:1 56C OTP 56C INP	1
3	01-07-0015	CPLG CLPN .625 X .750 X 1.50OD SS	1
4	02-02-0006	.500-14 NPT X 2-WAY VALVE	1
5	02-03-0005	DRAIN HOSE PUMP STAND (12 Inches)	1
6	02-05-0028	FTTG .500 NPT DBL THD PPE BULKHEAD	1
7	02-05-0045	FTTG .750 NPT DBL THD PPE BULKHEAD	3
8	02-06-0012	ELBOW, .500-14 NPT, 90 DEG. SS	1
9	02-07-0007	FTTG NIP .500 NPT X 1.125 TBE SS	1
10	02-07-0015	FTTG NIP .500 NPT X 6.00 TBE SS	1
11	02-08-0007	FTTG STGHT .500HB X .500NPT ML NYL	1
12	02-14-0001	FTTG PLUG SQHD .500 NPT SS	1
13	02-16-0028	FTTG PUSH .625OD X .500 NPT ML	2
14	05-03-1088	WDMT 30GAL CHEM TNK LOCK LID	1
15	05-03-1089	WDMT 30GAL REMV TOP LOCK LID	1
16	05-04-0005	WDMT 27GAL STIR ARM LOWER	1
17	05-04-0011	WDMT 27GAL STIR ARM MIDDLE	2
18	05-10-0799	PDL 27GAL WIPER	2
19	05-11-0349	30-GAL TANK STIR ROD	1
20	06-01-0042	BOLT, .375-16 X .750 18-8 SS	6
21	06-01-0051	BOLT .250-20 X 1.00 SS 316	6
22	06-01-0053	BOLT .375-16 X 1.25 ZP GR5	4
23	06-01-0083	BOLT .313-18 X 1.00 SS 18-8	4
24	06-02-0017	NUT FULL .313-18 SS 18-8	4
25	06-03-0007	NUT NYL LOCK .250-20 SS 18-8	6
26	06-03-0014	NUT LOCK FLG .375-16 ZP GR5	4
27	06-04-0008	WSHR LOCK SPLT .375 SS 18-8	6
28	06-04-0010	WSHR LOCK SPLT .313 SS 18-8	4
29	06-05-0002	WASHER, .250 FLAT 316 SS	6
30	06-07-0006	CLMP HOSE .500 TO .906 X .313W ZP	1
31	06-10-0001	SEAL,CHARCAOL TANK	1

LPX AUTOMATED SEED TREATER

LPX Pump Stand—60 Gallon Stainless Steel Tank



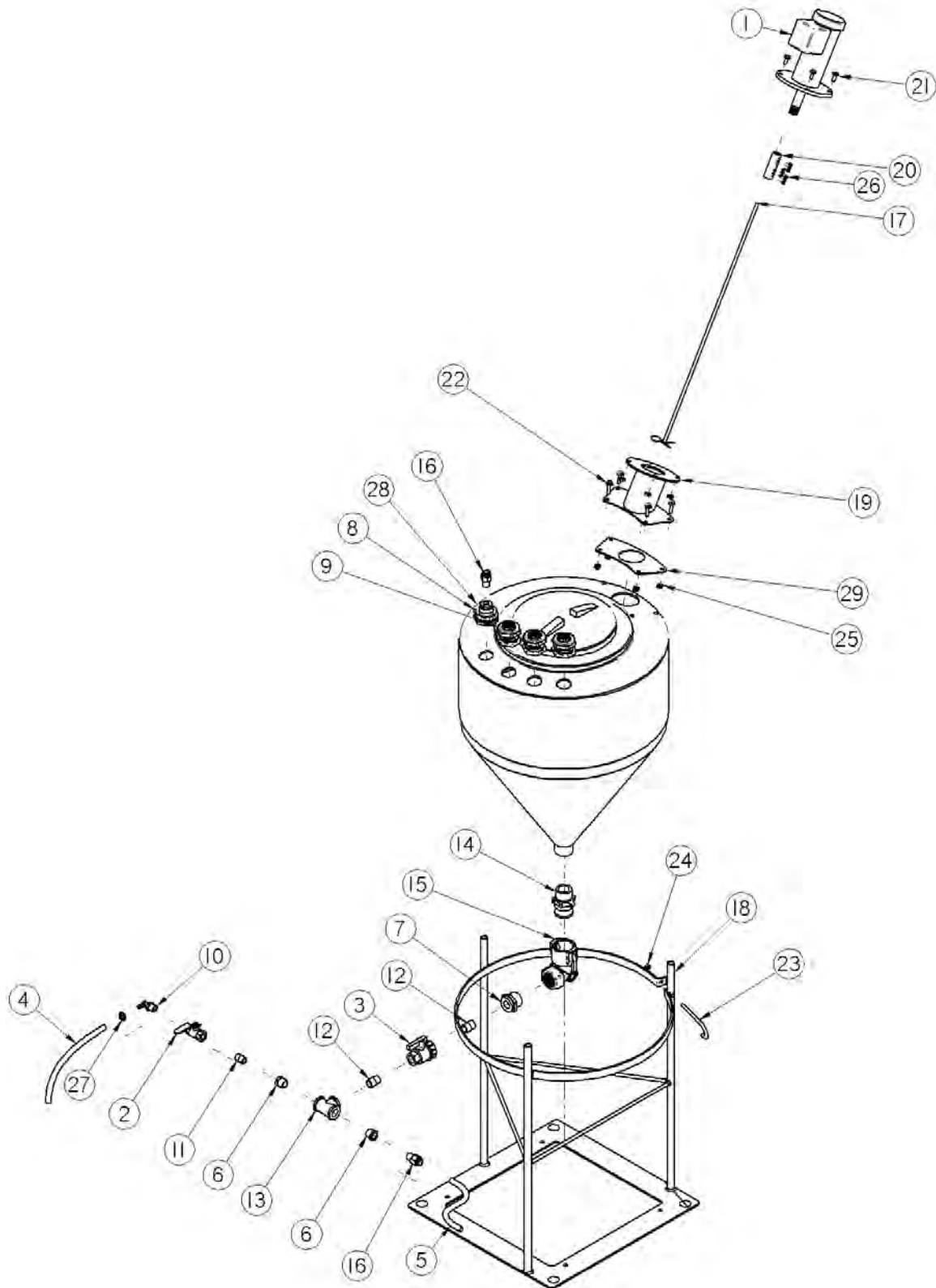
LPX AUTOMATED SEED TREATER

LPX Pump Stand - 60 Stainless Steel Tank Parts List

60 GAL SS PUMP STAND 04-03-0158

Item #	Part #	Title	Qty
1	01-01-0007	MTR .25HP 1725RPM 34 90VDC	1
2	01-01-0039	GBOX IL 61.8:1 56C OTP 56C INP	1
3	01-07-0015	CPLG CLPN .625 X .750 X 1.50OD SS	1
4	02-02-0006	VLV BALL .500 NPT 2WAY BRSS	1
5	02-03-0005	DRAIN HOSE PUMP STAND (12 Inches)	1
6	02-03-0034	HOSE SOL VLV TO TANK (23 Inches)	1
7	02-03-0034	HOSE TANK TO VLV (23 Inches)	1
8	02-05-0028	FTTG .500 NPT DBL THD PPE BULKHEAD	1
9	02-05-0045	FTTG .750 NPT DBL THD PPE BULKHEAD	3
10	02-06-0012	ELBOW, .500-14 NPT, 90 DEG. SS	1
11	02-07-0007	FTTG NIP .500 NPT X 1.125 TBE SS	1
12	02-07-0015	FTTG NIP .500 NPT X 6.00 TBE SS	1
13	02-08-0007	FTTG STGHT .500HB X .500NPT ML NYL	1
14	02-14-0001	FTTG PLUG SQHD .500 NPT SS	1
15	02-16-0028	FTTG PUSH .625OD X .500 NPT ML	2
16	05-03-0069	WDMT 50GAL MIDDLE STIR ARM	3
17	05-03-0070	WDMT 50GAL LOWER STIR ARM	1
18	05-03-1078	WDMT BASE 60GAL TANK	1
19	05-03-1079	WDMT 60GAL REMOVABLE TOP 2 HOLE	1
20	05-10-0878	PDL 50GAL WIPER	2
21	05-11-0341	ROD 60GAL DRV	1
22	06-01-0042	BOLT, .375-16 X .750 18-8 SS	10
23	06-01-0051	BOLT .250-20 X 1.00 SS 316	6
24	06-01-0053	BOLT .375-16 X 1.25 ZP GR5	4
25	06-01-0083	BOLT .313-18 X 1.00 SS 18-8	4
26	06-02-0017	NUT FULL .313-18 SS 18-8	4
27	06-03-0007	NUT NYL LOCK .250-20 SS 18-8	6
28	06-03-0014	NUT LOCK FLG .375-16 ZP GR5	4
29	06-04-0008	WSHR LOCK SPLT .375 SS 18-8	10
30	06-04-0010	WSHR LOCK SPLT .313 SS 18-8	4
31	06-05-0002	WSHR FLAT .250 X .625OD SS 18-8	6
32	06-07-0006	CLMP HOSE .500 TO .906 X .313W ZP	1
33	06-09-0075	KNOB WING LATCH	1
34	06-09-0076	KNOB WING CAM	1
35	06-10-0001	SEAL RBBR BULBS CHAR .500 X .250 (38 Inches)	1
36	06-12-0011	3/16 X .450" LONG POP RIVET	2

LPX Pump Stand - 30 Gallon Poly Tank



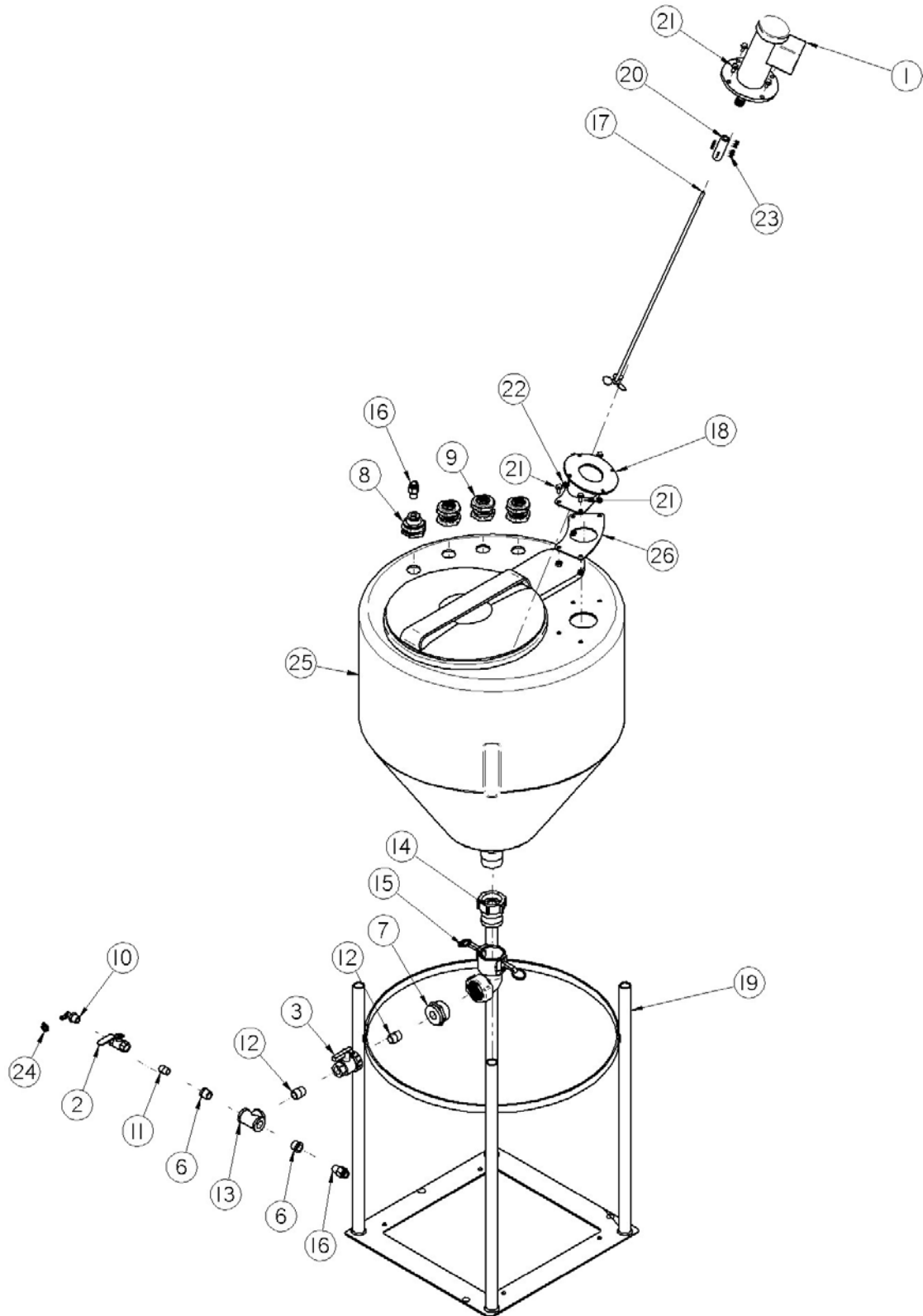
LPX AUTOMATED SEED TREATER

LPX Pump Stand - 30 Gallon Poly Tank Parts List

30GAL POLY PUMP STAND 04-03-0161

<u>Item #</u>	<u>Part #</u>	<u>Title</u>	<u>Qty</u>
1	01-01-0007	MTR .25HP 1725RPM 34 90VDC	1
2	02-02-0006	.500-14 NPT X 2-WAY VALVE	1
3	02-02-0056	VLV BALL .750 NPT FM PLAS	1
4	02-03-0005	DRAIN HOSE PUMP STAND (12 Inches)	1
5	02-03-0034	TBG .625 OD POLYE COMP (24 Inches)	1
6	02-04-0008	BUSHING .750-14 NPT, REDUCER .500-14 NPT	2
7	02-04-0034	FTTG BUSH 1.50NPT X .750NPT PPE	1
8	02-05-0028	FTTG .500 NPT DBL THD PPE BULKHEAD	1
9	02-05-0045	FTTG .750 NPT DBL THD PPE BULKHEAD	3
10	02-06-0010	FTTG 90 DEG .500HB X .500NPT ML NYL	1
11	02-07-0008	FTTG NIP .500 NPT X 1.125 TBE BLK	1
12	02-07-0025	NIPPLE 3/4" NPT CLOSE 304SS	2
13	02-09-0008	TEE 3/4 NPT X 3/4 NPT X 3/4 NPT SS	1
14	02-15-0040	FTTG CPLG CAM LVR 1.5" ML X ML	1
15	02-15-0041	FTTG CPLG CAM LVR 90DEG 1.5" FMXFM	1
16	02-16-0028	FTTG PUSH .625OD X .500 NPT ML	2
17	04-03-0162	MXR PROP 30"X5/16" SHAFT 3" PROP	1
18	05-03-1071	WDMT TANKSTD 30GAL PUMPSTD	1
19	05-03-1106	WDMT MTR MNT POLY TANK 30G PUMPSTD	1
20	05-11-0346	COUPLER MOTOR MIX SHAFT POLY TANK	1
21	06-01-0124	BOLT, FLG .375-16 UNC ZP GRADE 5; 3/4" LG	4
22	06-01-0189	BOLT, FLG .375-16 UNC ZP GRADE 5; 1-1/4" LG	4
23	06-01-0239	JBOLT .375-16 X 5.00 CS ZP	1
24	06-02-0003	NUT FULL .375-16 ZP GR5	1
25	06-03-0014	NUT LOCK FLG .375-16 ZP GR5	8
26	06-06-0080	SETSCREW #10-32 X 0.375 HEX CUP PT	9
27	06-07-0006	CLMP HOSE .500 TO .906 X .313W ZP	1
28	07-02-0020	TNK 30GAL CONE 1.5 FPT OUTLET FD	1
29	102247	PSM BOT MTR MNT PUMPSTD	1

LPX Pump Stand - 60 Gallon Poly Tank



LPX AUTOMATED SEED TREATER

LPX Pump Stand - 60 Gallon Poly Tank Parts List

60 GAL POLY PUMPSTAND 04-03-0160

<u>Item #</u>	<u>Part #</u>	<u>Title</u>	<u>Qty</u>
1	01-01-0007	MTR .25HP 1725RPM 34 90VDC	1
2	02-02-0006	.500-14 NPT X 2-WAY VALVE	1
3	02-02-0056	VLV BALL .750 NPT FM PLAS	1
4	02-03-0005	DRAIN HOSE PUMP STAND (12 Inches)	1
5	02-03-0034	TBG .625 OD POLYE COMP (24 Inches)	1
6	02-04-0008	BUSHING .750-14 NPT, REDUCER .500-14 NPT	2
7	02-04-0033	FTTG BUSH 2.00NPT X .750NPT PPE	1
8	02-05-0028	FTTG .500 NPT DBL THD PPE BULKHEAD	1
9	02-05-0045	FTTG .750 NPT DBL THD PPE BULKHEAD	3
10	02-06-0010	FTTG 90 DEG .500HB X .500NPT ML NYL	1
11	02-07-0008	FTTG NIP .500 NPT X 1.125 TBE BLK	1
12	02-07-0025	NIPPLE 3/4" NPT CLOSE 304SS	2
13	02-09-0008	TEE 3/4 NPT X 3/4 NPT X 3/4 NPT SS	1
14	02-15-0039	FTTG CPLG CAM LVR 2" ML X FM NPT	1
15	02-15-0042	FTTG CPLG CAM LVR 90DEG 2" FM X FM	1
16	02-16-0028	FTTG PUSH .625OD X .500 NPT ML	2
17	04-03-0162	MXR PROP 30"X5/16" SHAFT 3" PROP	1
18	05-03-1062	WDMT MTR MNT POLY TANK PUMPSTD	1
19	05-03-1070	WDMT TANKSTD 60GAL PUMPSTD	1
20	05-11-0346	COUPLER MOTOR MIX SHAFT POLY TANK	1
21	06-01-0124	BOLT, FLG .375-16 UNC ZP GRADE 5; 3/4" LG	8
22	06-03-0014	NUT LOCK FLG .375-16 ZP GR5	8
23	06-06-0080	SETSCREW #10-32 X 0.375 HEX CUP PT	9
24	06-07-0006	CLMP HOSE .500 TO .906 X .313W ZP	1
25	07-02-0013	TNK 60GAL 60 DEG 2.00 MNPT FD	1
26	102247	PSM BOT MTR MNT PUMPSTD	1

NOTES

LIMITED WARRANTY**SECTION
J**

USC, LLC, (Manufacturer) warrants its seed treating equipment as follows:

1. **Limited Warranty:** Manufacturer warrants that the Products sold hereunder will be free from defects in material and workmanship for a period of 12 months from date of shipment. If the Products do not conform to this Limited Warranty during the warranty period, Buyer shall notify Manufacturer in writing of the claimed defects and demonstrate to Manufacturer satisfaction that said defects are covered by this Limited Warranty. If the defects are properly reported to Manufacturer within the warranty period, and the defects are of such type and nature as to be covered by this warranty, Manufacturer shall, at its expense, furnish replacement Products or, at Manufacturer's option, replacement parts for the defective products. Shipping and installation of the replacement Products or replacement parts shall be at the Buyer's expense.

2. **Other Limits:** THE FOREGOING IS IN LIEU OF ALL OTHER WARRANTIES, EXPRESSED OR IMPLIED, INCLUDING BUT NOT LIMITED TO THE IMPLIED WARRANTIES OF MERCHANTABILITY AND FITNESS FOR A PARTICULAR PURPOSE. Manufacturer does not warrant against damages or defects arising from improper installation (where installation is by persons other than Manufacturer), against defects in products or components not manufactured by Manufacturer, or against damages resulting from such non-Manufacturer made products or components. Manufacturer passes on to the Buyer the warranty it received (if any) from the maker of such non-Manufacturer made products or components. This warranty also does not apply to Products upon which repairs and/or modifications have been effected or attempted by persons other than pursuant to written authorization by Manufacturer. Manufacturer does not warrant against casualties or damages resulting from misuse and/or abuse of product(s), acts of nature, effects of weather, including effects of weather due to outside storage, accidents, or damages incurred during transportation by common carrier.

3. **Exclusive Obligation:** THIS WARRANTY IS EXCLUSIVE. The sole and exclusive obligation of Manufacturer shall be to repair or replace the defective Products in the manner and for the period provided above. Manufacturer shall not have any other obligation with respect to the Products or any part thereof, whether based on contract, tort, strict liability or otherwise. Under no circumstances, whether based on this Limited Warranty or otherwise, shall Manufacturer be liable for incidental, special, or consequential damages.

4. **Other Statements:** Manufacturer's employees or representatives' oral or other written statements do not constitute warranties, shall not be relied upon by Buyer, and are not a part of the contract for sale or this limited warranty.

5. **Return Policy:** Approval is required prior to returning goods to USC, LLC. A restocking fee will apply.

6. **Entire Obligation:** This Limited Warranty states the entire obligation of Manufacturer with respect to the Products. If any part of this Limited Warranty is determined to be void or illegal, the remainder shall remain in full force and effect.



USC, LLC

2320 124th road

Sabetha, Ks 66534

PHONE: (785) 431-7900

FAX: (785) 431-7950

EMAIL: sales-team@uscllc.com

WEB: www.uscllc.com