



The LPV Treater™ has taken customization to the next level.

This treater will change the way you, and everyone in the industry, thinks about seed treating equipment.

The LPV's revolutionary technology offers more diversified weighing and metering options that are more accurate, efficient and affordable.

Choose what's best for your operation!

LPV TREATER™

Advantages

- LPV boasts three proven weighing methods: Seed Metering Wheel, Loss in Weight and Weigh Belt
- Industry's best tilting drum, 8'x42" offering tilt range from -5 to +2 degrees providing a quicker clean out than other treaters on the market
- Adjustable chamber controls the flow of seed as it enters the atomizer, unlike any other treater, allows for more consistent flow
- Loss in Weight accuater has 20,000 available positions to more accurately coat seed
- Runs on a more horizontal level, giving each run a more natural opportunity for coating and drying
- Quickest cleanout: as little as 15 seconds
- 17" wider frame offers more stability for stacking boxes, plus no need to 'flip' boxes between emptying and filling
- Extra 3 to 4-feet around discharge gives more room for cleanout, positioning and conveyor logistics
- Most trusted name in seed treating technology with the most economical and innovative treater on the market



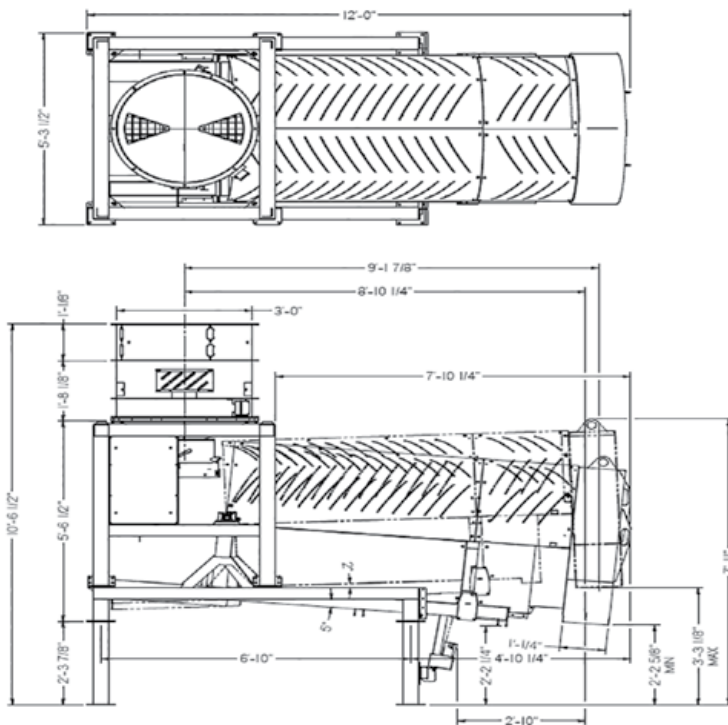
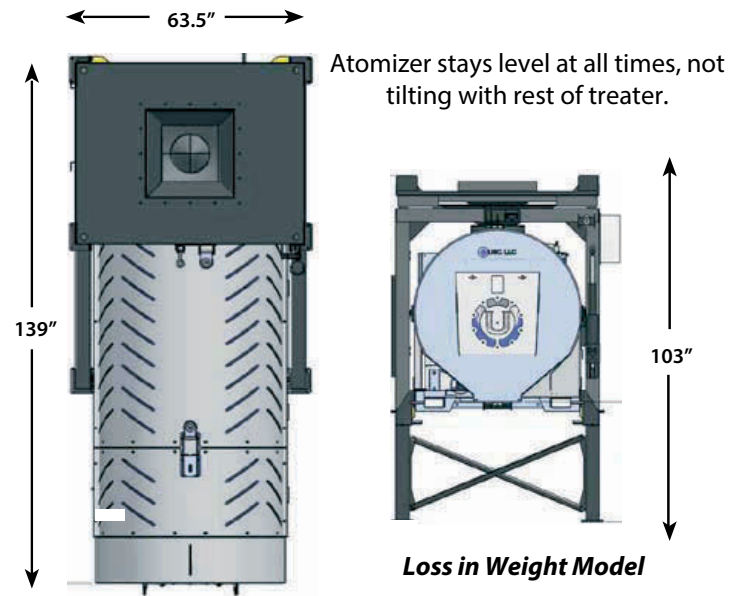
INDUSTRY LEADER. INDUSTRY INNOVATOR.

2320 124th Rd. | Sabetha, Kansas 66534 | 866.729.1623 | www.USCLLC.com

LPV TREATER™

Additional Features:

- The LPV is the only treater designed to handle all three metering options, and the standard 42" tilting drum makes cleaning easier than ever. The larger drum gives seed more opportunity to dry on it's own.
- A lower head height allows the LPV to easily fit in existing buildings. Even though the drum is larger, the LPV boasts a smaller footprint with extra discharge space and better height advantages - 22" shorter with the loss in weight configuration!
- LPV and LPX have the same discharge height, the difference being the LPV's discharge is level, allowing for better coverage at the beginning of the run, a more consistent coating during and a more natural drying experience at the end, giving a perfectly polished batch of seed. Above all, the LPV's ability to tilt, ranging -5 to +2 degrees, will clean a drum within seconds!



12" Ext. Ring Model

Dimensions:

Length: 144"

Width: 64"

Discharge Height: Min - 27"; Max - 39"

Height:

- LPV w/ Loss In Weight Tri-Flo: 103"
- LPV w/ Loss In Weight Batch Hopper: 107"
- LPV w/ Seed Wheel, No Ext. Ring: 115"
- LPV w/ Seed Wheel, 6" Ext. Ring: 121"
- LPV w/ Seed Wheel, 12" Ext. Ring: 127"



866.729.1623
www.USCLLC.com

Watch USC
Products
In Action!

