

UNIVERSAL PUMP STANDS

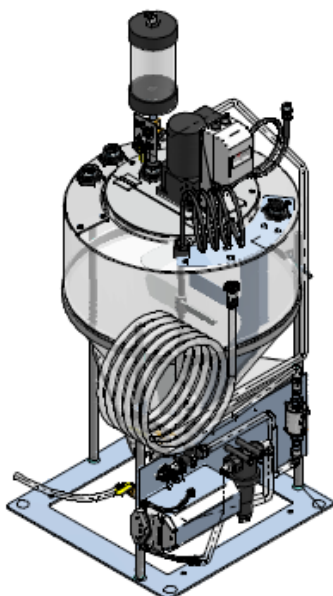


With the UNIVERSAL CONTROLLER easily connect up to four USC Universal Pump Stands with one, simple control system.

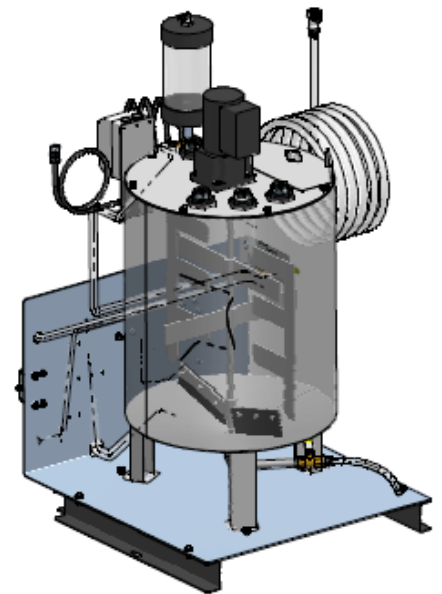
USC's latest technology in providing an economical and efficient pump stand solution has arrived! The Universal Controller is the easiest way to manage multiple pump stands. The combination of USC's quality and performance at an affordable price makes this option unlike any other on the market!

Universal pump stands are configurable to work in virtually ANY SETTING, alongside ANY TREATER - specifically off-brand treaters and older model USC treaters!

These poly or stainless steel tanks include calibration tubes and flow meters as standard features. The biggest benefit to the Universal Controller is the time it saves! Not only is this new system user-friendly, but the level of customization makes calibration, saving and accessing multiple blends, and overall operation a breeze!



Poly



Stainless Steel

UNIVERSAL PUMP STANDS

DESCRIPTION

- 15 Gal. Poly Pump Stand w/o Agitation Motor
- 15 Gal. Poly Pump Stand w/o Agitation Motor, 2 Heads
- 15 Gal. Poly Pump Stand w/ Agitation Motor
- 15 Gal. Poly Pump Stand w/ Agitation Motor, 2 Heads
- 55 Gal. Poly Pump Stand w/ Agitation Motor
- 55 Gal. Poly Pump Stand w/ Agitation Motor, 2 Heads
- 30 Gal. Stainless Steel Pump Stand w/ Agitation Motor
- 30 Gal. Stainless Steel Pump Stand w/ Agitation Motor, 2 Heads
- 60 Gal. Stainless Steel Pump Stand w/ Agitation Motor
- 60 Gal. Stainless Steel Pump Stand w/ Agitation Motor, 2 Heads

Part

Price

- 04-03-0184 \$3,200
- 04-03-0185 \$3,880
- 04-03-0186 \$4,300
- 04-03-0187 \$4,980
- 04-03-0188 \$4,500
- 04-03-0189 \$5,180
- 04-03-0190 \$5,600
- 04-03-0191 \$6,280
- 04-03-0192 \$6,500
- 04-03-0193 \$7,180