

LPV TREATER

USC's LPV treater offers the perfect solution for treating locations that desire the best treating quality for their customers. With the robust 4.0 automation platform they can treat seed in many challenging applications.

FEATURES & ADVANTAGES

- 42" x 8' tilting drum controls retention time of seed, provides consistent treatment throughout run, limits excessive treatment build-up, and controls drum clean-out time.
- Continuous flow seed treatment.
- Treats seed at speeds ranging from 700-3,000 lbs./min.
- Patented slide-out atomizer.
- Multiple seed metering device options.
- Four- to eight-port static mixer for chemistry and treatment applications.
- USC's 4.0 automation platform.
 - Industrial 15.6" touchscreen.
 - Built-in U-Connect Pro USC remote support.
 - PC-based, simple navigation.
- Downloadable reporting, recipe storage and customer data all seamlessly accessible.

LPV TREATER OPTIONS

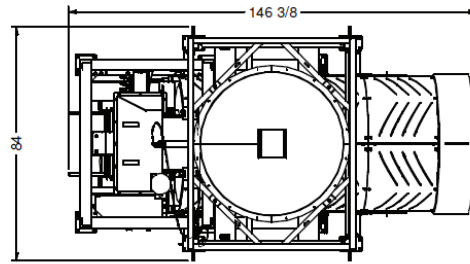
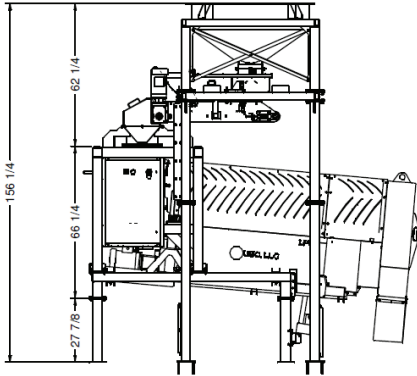
- Metering device options:
 - Seed metering wheel
 - Weight belt
 - Loss-in-weight
 - Loss-in-weight Triflo®
 - Loss-in-weight box-to-box scale mounted on treater
- High-capacity:
 - Weight belt and nebulizer
- Multiple phase options:
 - 240V, 1PH
 - 240V, 3PH
 - 480V, 3PH
 - 575V, 3PH
- Drum options:
 - Stainless steel
 - Carbon steel
 - Stainless steel commercial drum



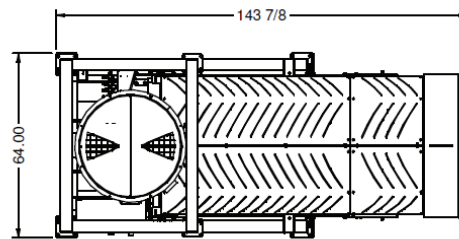
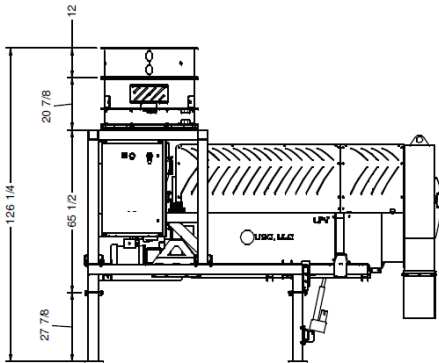
LPV TREATER

LPV DIMENSIONS

LPV High-Capacity with Weight Belt



LPV with Seed Metering Wheel



LPV Loss-in-Weight for Bulk Site Systems (required weigh hopper not shown)

