

# LPX LITE PORTABLE TREATER

USC's LPX LITE portable treater brings intuitive automation and a one-man treating operation together. Customize this treater through USC's configurable design and treat a wide range of applications with ease anywhere it's needed.

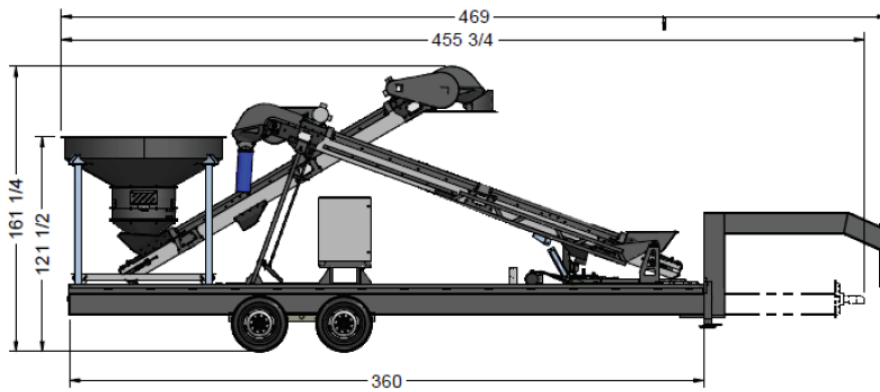
## FEATURES & ADVANTAGES

- 8' carbon or stainless steel drum.
- Treats seed at speeds ranging from 350-1,800 lbs./min.
- 16" patented slide-out atomizer to conveniently clean and inspect atomizing chamber.
- 12" touchscreen control panel.
- Control treater remotely via tablet or mobile device.
- Gooseneck or bumper hitch options.
- Peristaltic pump for easy calibration, higher accuracy, and less maintenance and chance of clogging.
- Variable speed drum gently tumbles and lifts seed throughout final phase of mixing and coating.
- Seed metering wheel.
- 65-unit seed hopper.
- Electrically-driven rotary atomizer precisely coats seed as it passes through the chamber, spinning at 1,750 RMP.
- Accommodates up to three poly or stainless steel pump stands.
- Includes 17' inlet, and 20' hydraulic outlet conveyor with 90° swing to load directly into truck or tender.
- Cleated belt on TS conveyors alleviate pinch points and gently move seed.
- Four-port static mixer for treatment applications.
- USC's U-Treat LITE automation platform supports up to 500 customers, seed and chemistry profiles, and recipes. Saves up to 5,000 on-screen or downloadable reports.

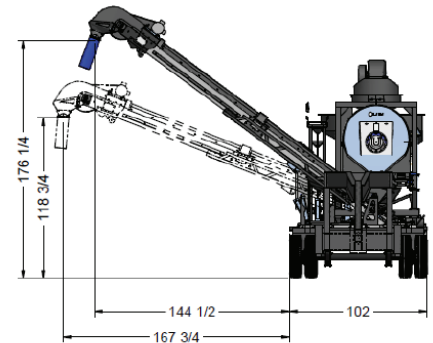
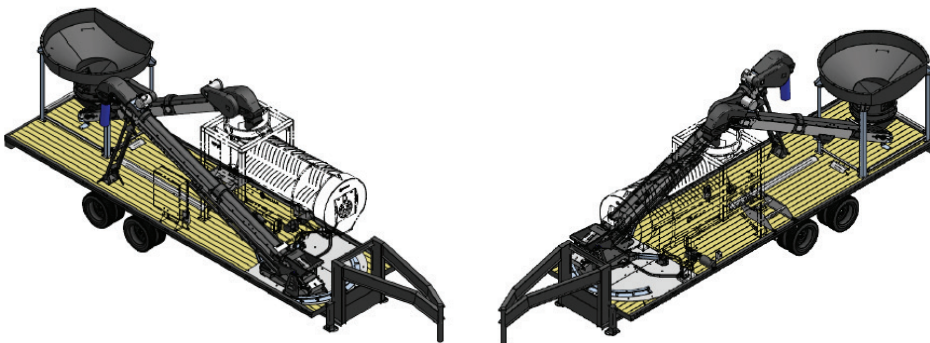


# LPX LITE PORTABLE TREATER

## LPX LITE PORTABLE TREATER DIMENSIONS



WEIGHT	LPX PORTABLE	
	LPV w/ Gooseneck Trailer	9,550 LBS.
LPV w/ Bumper Trailer	9,200 LBS.	



LPX PORTABLE				
DIMENSIONS	Gooseneck Trailer Length	30' 0"	Maximum Discharge	14' 8"
	Overall Gooseneck Length	39' 1"	Minimum Discharge	9' 10"
	Bumper Trailer Length	30' 0"	Overall Height	13' 5"
	Overall Bumper Length	37' 11"	Trailer Deck Width / Height	70" / 26"
	Width	8' 6"	Wheel Pattern	8-Bolt
	Voltages	240V 1PH, 240V 3PH, 480V 3PH, 575V 3PH, 380-415V 3PH	Ball Size	2 5/16"
Generator Option			Diesel 40kw (240V 1PH only)	